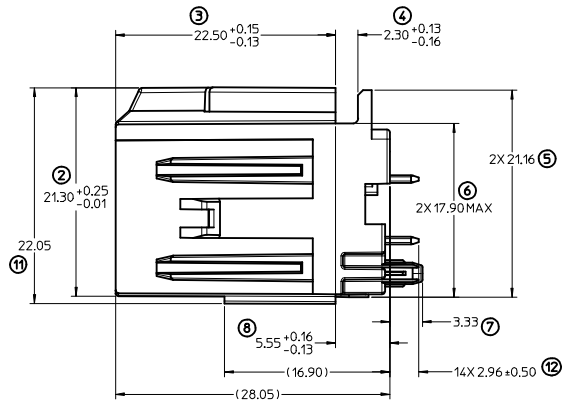
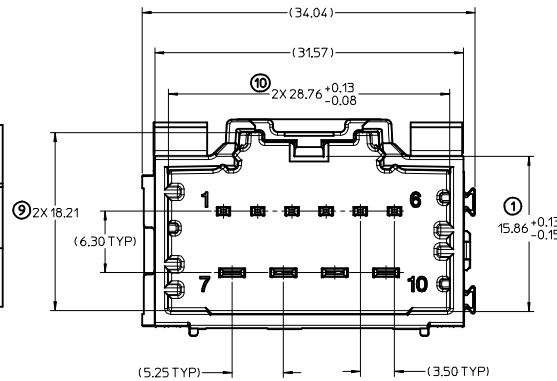
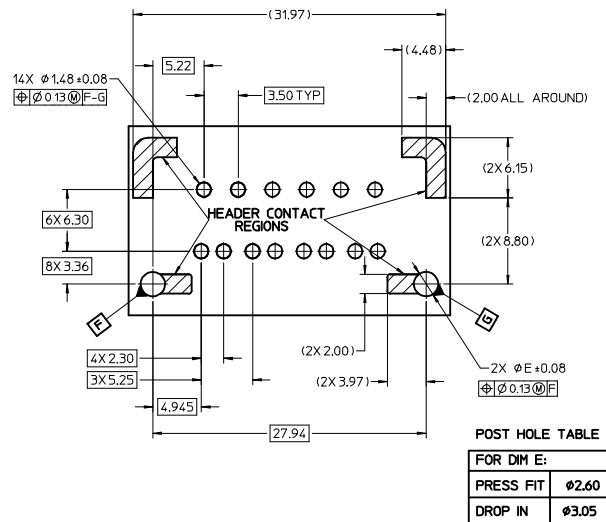


MATERIAL NUMBER		CKT SIZE	DESCRIPTION	POL	COLOR
TUBE PACK	TRAY PACK				
34695-9100	34695-0100	10	POWER STAC VERTICAL HEADER ASSEMBLY	A	BLACK
34695-9101	34695-0101	10	POWER STAC VERTICAL HEADER ASSEMBLY	B	GREY



RECOMMENDED PCB LAYOUT



NOTES: VALID UNLESS OTHERWISE SPECIFIED

1. GENERAL:

- a. CONNECTOR HEADER MUST BE VALIDATED TO THE FOLLOWING FUNCTIONAL REQUIREMENTS:
 - PIN RETENTION - USCAR-2 REV 4
 - SOLDERABILITY - SMES-152
 - b. APPLICATION REQUIREMENTS (REFERENCE ONLY) FOR:
 - SEE APPLICATION SPECIFICATION - AS-34690-000
 - SEE PRODUCT SPECIFICATION - PS-31372-100
 - MATES WITH: SD-31372-900
 - c. PACKAGING SPECIFICATION PER MOLEX DRAWING PK-31300-892
2. DESIGN: MATERIALS:
- a. SHROUD (PLASTIC HOUSING):
 - RESIN - SPS 30%GF
 - b. 1.50mm BLADES:
 - BASE MATERIAL: C19400
 - PLATING TYPE: AS NOTED
 - c. 2.80mm BLADES:
 - BASE MATERIAL: C19400
 - PLATING TYPE: AS NOTED
3. PLATING REQUIREMENTS:
- a. UNDERPLATING - OVERALL NICKEL
 - b. OVERPLATING - OVERALL TIN

UPDATED DIMENSIONS EC NO: UAU2009-0759 DRAWN: DANA CHKD: DILLON APPR: MARCEAU 2009/03/10 2009/03/10 2009/03/11	QUALITY SYMBOLS ▽=0 ▽=0	GENERAL TOLERANCES (UNLESS SPECIFIED)		DIMENSION STYLE MM ONLY	SCALE 4:1	DESIGN UNITS METRIC	THIRD ANGLE PROJECTION		
		4 PLACES ± --- INCH 3 PLACES ± --- INCH 2 PLACES ± 0.13 INCH 1 PLACE ± 0.25 INCH	4 PLACES ± --- MM 3 PLACES ± --- MM 2 PLACES ± 0.13 MM 1 PLACE ± 0.25 MM	DRAWN BY MBAILEY	DATE 10/02/06	TITLE STAC64 SINGLE BAY VERT 10 CKT. HEADER ASSEMBLY SALES DRAWING			
		ANGULAR ± 3°		CHECKED BY CDILLON	DATE 04/18/07	MOLEX INCORPORATED			
		DRAFT WHERE APPLICABLE MUST REMAIN WITHIN DIMENSIONS		APPROVED BY DATE	MATERIAL NO. SEE CHART	DOCUMENT NO. SD-34695-100	SHEET NO. 1 OF 1	MOLEX INCORPORATED	