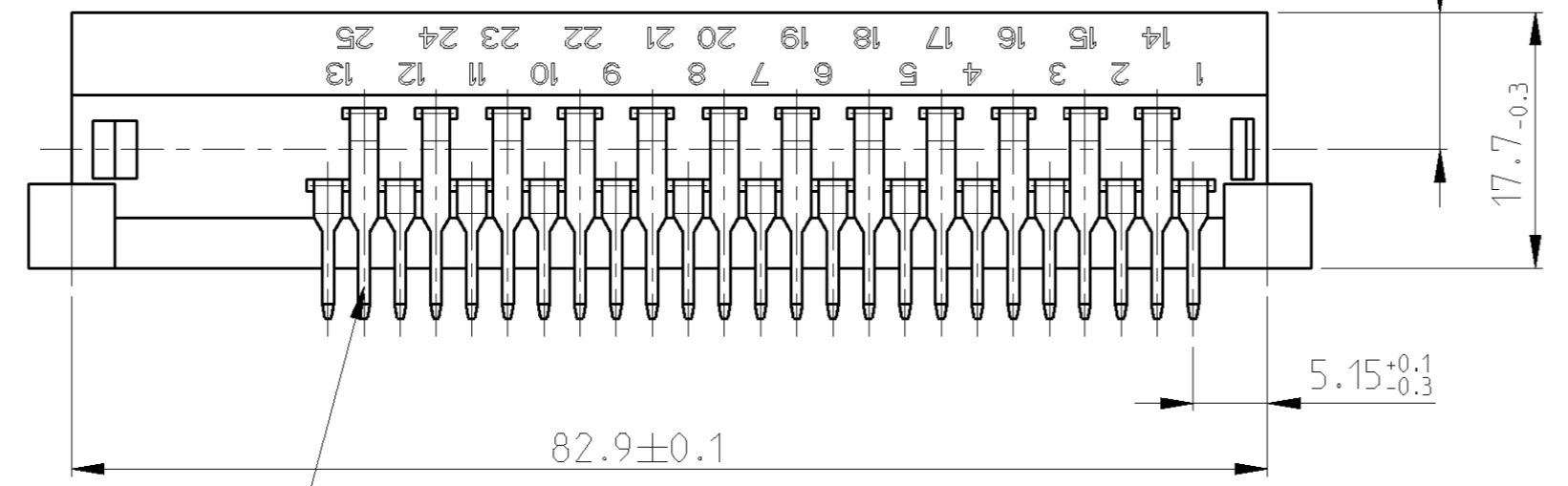
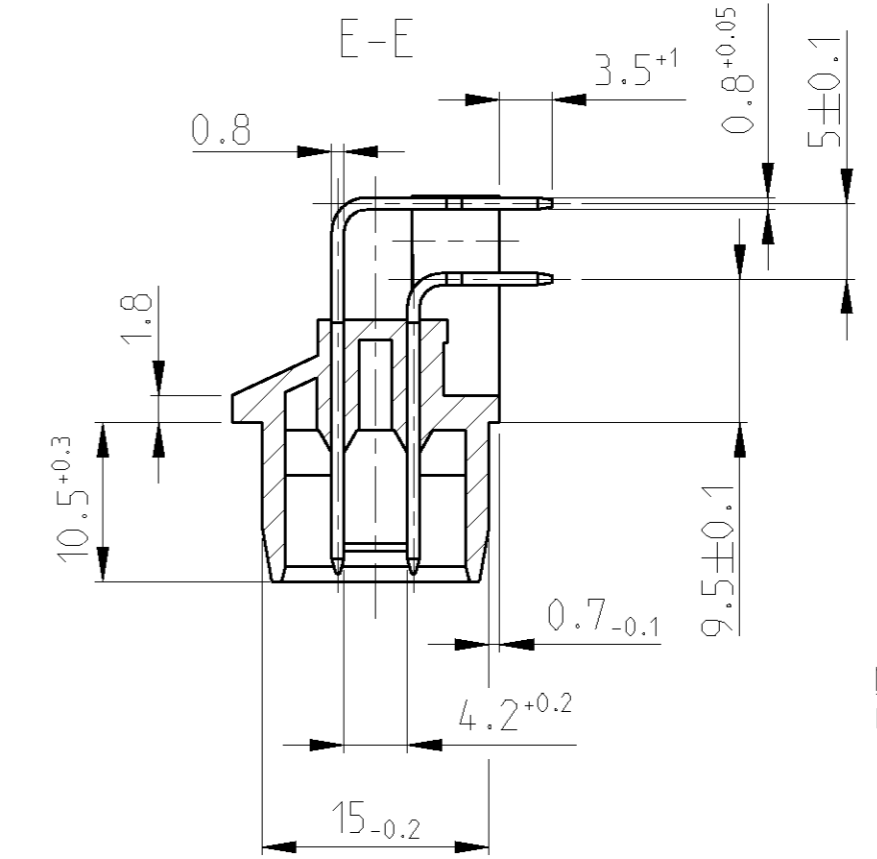
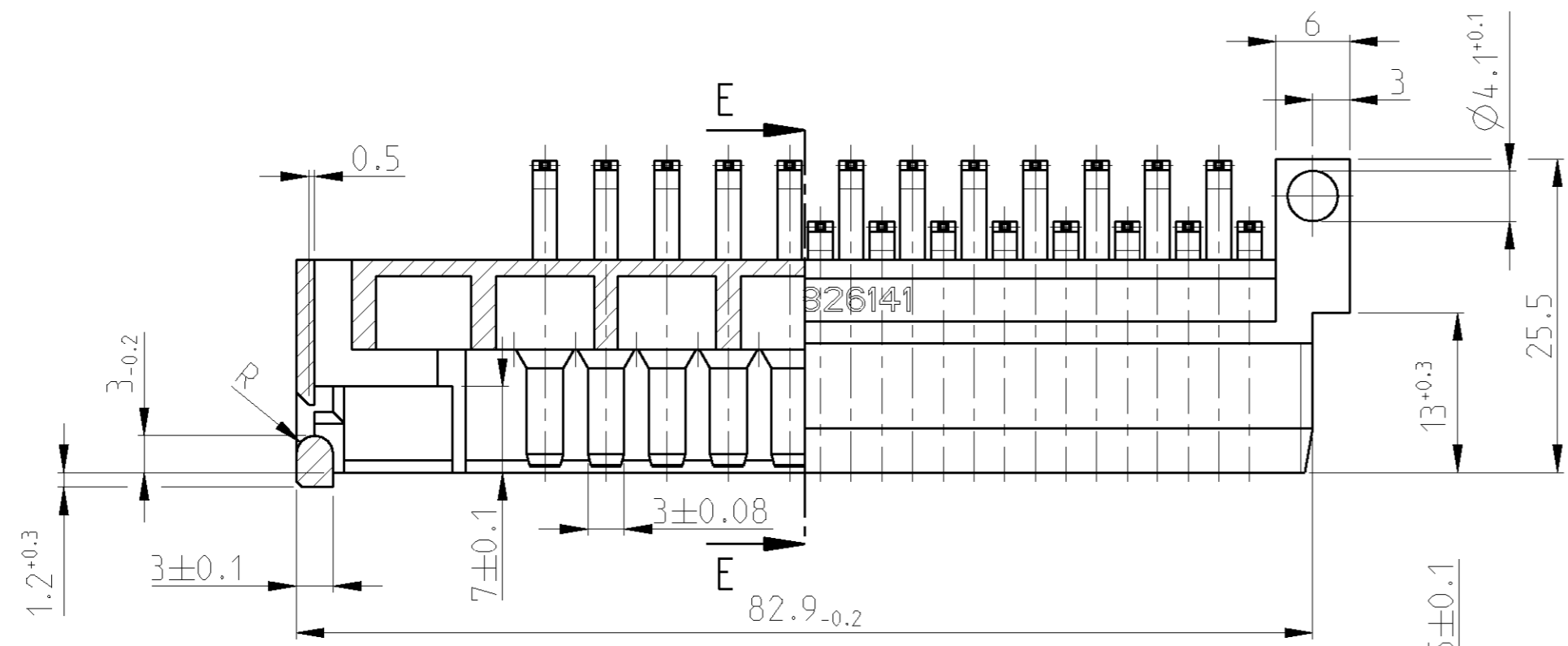
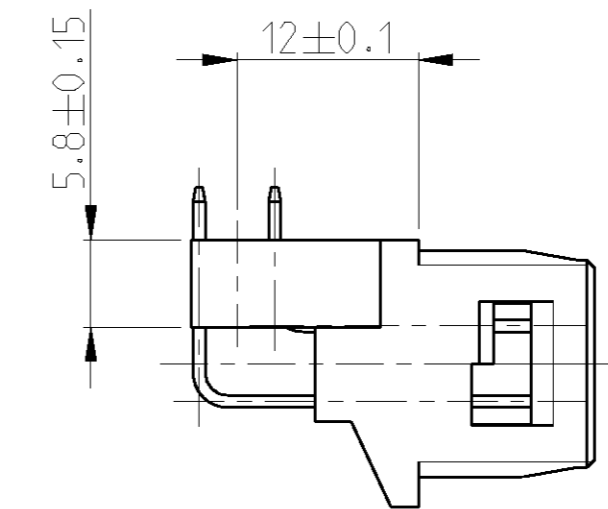
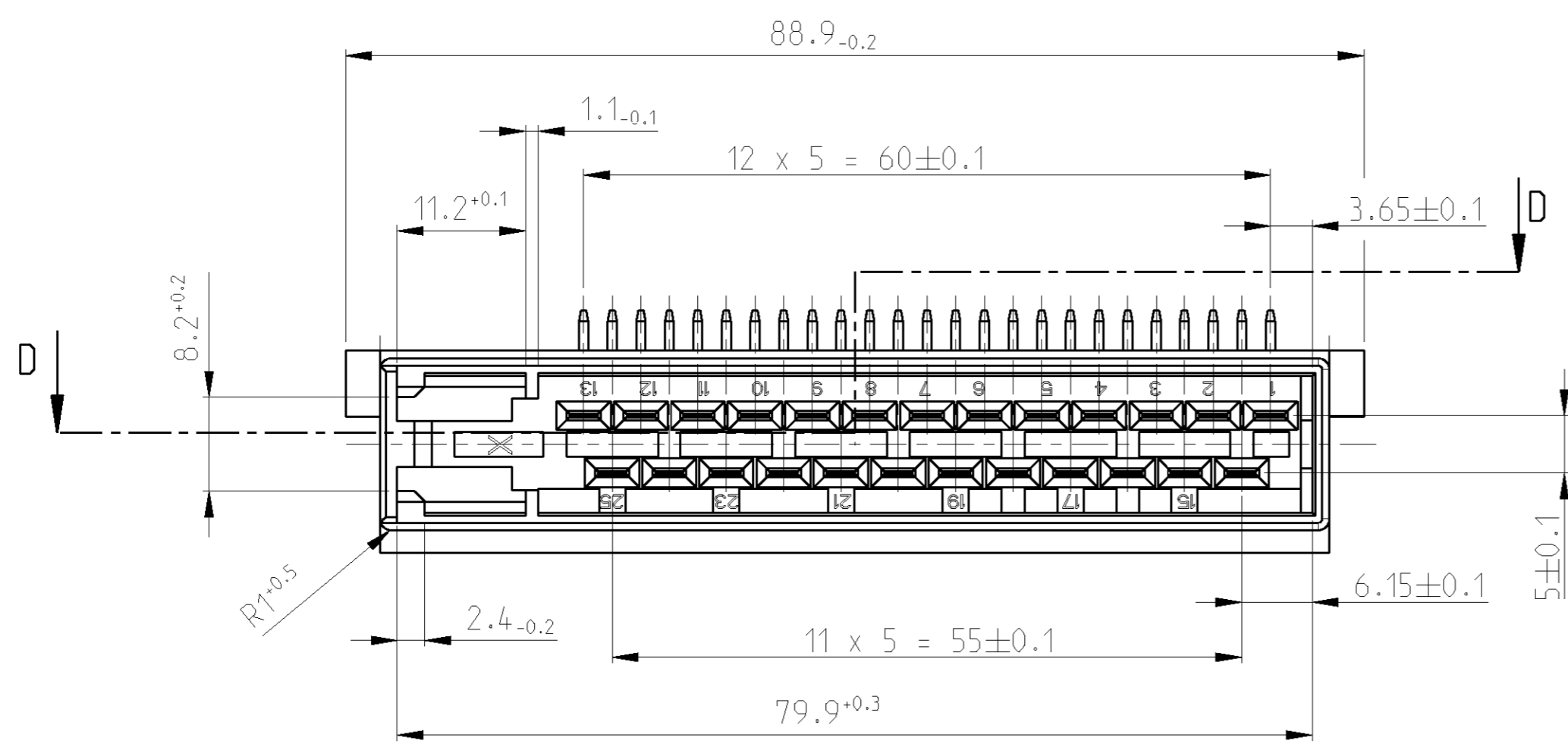


THIS DRAWING IS UNPUBLISHED. RELEASED FOR PUBLICATION 2005  
 © COPYRIGHT 2005 BY TYCO ELECTRONICS CORPORATION. ALL RIGHTS RESERVED.

LOC	DIST	REVISIONS			
P	LTR	DESCRIPTION	DATE	DWN	APVD
A1	-				
	M	DRWG. revised	22JUL2005	KS	BF
	M1	ECR-05-007702	13DEC2005	KS	BF



- NOTES:  
Bemerkungen:
- 1 Verpackungseinheit 150 Stück im Karton 725640-1 mit Zwischenlage 725686-2  
QUANTITY OF PACKING 150 PIECES INTO CART BOARD BOX 725640-1 WITH FOAMED PLASTIC INTERLAY 725686-2
  - 2 Schriftgröße 2, erhaben 0.2  
2 CHARACTERS, RAISED 0.2
  - 3 Unternickelt 1-2.5 µm Ni  
Ni PLATED 1-2.5 µm Ni
  - 4 verzinkt 6-10 µm Sn  
Sn PLATED 6-10 µm Sn
  - 5 versilbert 2-6 µm Ag  
SILVER PLATED 2-6 µm Ag

passend zu Gehäuse 925 471-1

Diagonalmaß 1.1±0.05

Cu Zn verzinkt	826 141-4	PA66 GV13	gelb
Cu Zn	826 141-3	PA66 GV13	schwarz
Cu Zn	826 141-2	PA66 GV13	gelb (RAL 1018)
Cu Zn	826 141-1	PA66 GV13	schwarz
Messerwerkstoff Oberfläche	Bestell-Nr.	Werkstoff	Farbe

THIS DRAWING IS A CONTROLLED DOCUMENT FOR TYCO ELECTRONICS CORPORATION IT IS SUBJECT TO CHANGE AND THE CONTROLLING ENGINEERING ORGANIZATION SHOULD BE CONTACTED FOR THE LATEST REVISION.		DWN K.Schang 18JUL2005
DIMENSIONS: mm		CHK B.Fieberling 18JUL2005
TOLERANCES UNLESS OTHERWISE SPECIFIED:		APVD -
0 PLC ±0.1		PRODUCT SPEC -
1 PLC ±0.1		APPLICATION SPEC -
2 PLC ±0.1		WEIGHT -
3 PLC ±0.1		CUSTOMER DRAWING
4 PLC ±0.1		
ANGLES ±°		
FINISH		

<b>tyco</b> Electronics		tyco Electronics AMP GmbH D - 64625 Bensheim	
NAME 25 pol. Messerleiste			
SIZE A2	CAGE CODE 00779	DRAWING NO. 826141	RESTRICTED TO -
SCALE 2:1	SHEET 1	OF 1	REV. M1