

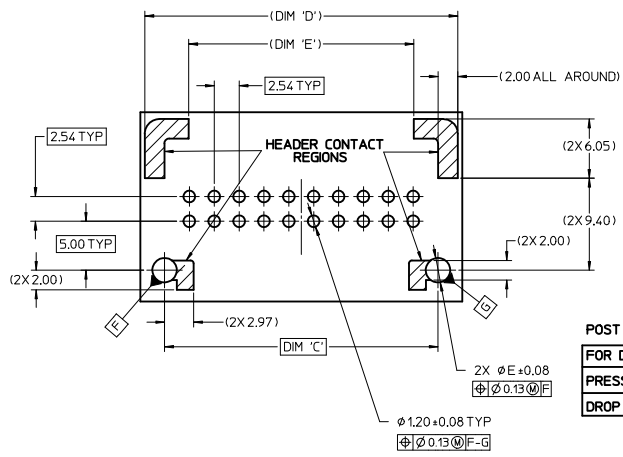
MATERIAL NUMBER		CKT SIZE	DESCRIPTION	POL	COLOR
TRAY PACKAGING PK-31300-892	TUBE PACKAGING PK-31301-063				
34690-0200	34690-9200	20	STAC64 VERTICAL HEADER ASSEMBLY	A	BLACK
34690-0201	34690-9201	20	STAC64 VERTICAL HEADER ASSEMBLY	B	GREY
34690-0202	34690-9202	20	STAC64 VERTICAL HEADER ASSEMBLY	C	BROWN
34690-0203	34690-9203	20	STAC64 VERTICAL HEADER ASSEMBLY	D	GREEN
34690-0160	34690-9160	16	STAC64 VERTICAL HEADER ASSEMBLY	A	BLACK
34690-0161	34690-9161	16	STAC64 VERTICAL HEADER ASSEMBLY	B	GREY
34690-0162	34690-9162	16	STAC64 VERTICAL HEADER ASSEMBLY	C	BROWN
34690-0120	34690-9120	12	STAC64 VERTICAL HEADER ASSEMBLY	A	BLACK
34690-0121	34690-9121	12	STAC64 VERTICAL HEADER ASSEMBLY	B	GREY
34690-0122	34690-9122	12	STAC64 VERTICAL HEADER ASSEMBLY	C	BROWN
34690-0080	34690-9080	8	STAC64 VERTICAL HEADER ASSEMBLY	A	BLACK
34690-0081	34690-9081	8	STAC64 VERTICAL HEADER ASSEMBLY	B	GREY
34690-0082	34690-9082	8	STAC64 VERTICAL HEADER ASSEMBLY	C	BROWN

- NOTES: VALID UNLESS OTHERWISE SPECIFIED
1. GENERAL:
- a. CONNECTOR HEADER MUST BE VALIDATED TO THE FOLLOWING FUNCTIONAL REQUIREMENTS:
    - POLARIZATION FEATURE EFFECTIVENESS - SEE PRODUCT SPECIFICATION
    - PIN RETENTION - USCAR-2 REV 4
    - SOLDERABILITY - SMES-152
  - b. APPLICATION REQUIREMENTS (REFERENCE ONLY) FOR:
    - SEE APPLICATION SPECIFICATION - AS-34729-020
    - SEE PRODUCT SPECIFICATION - PS-34729-020
  - c. PACKAGING SPECIFICATION: SEE CHART
2. DESIGN: MATERIALS:
- a. SHROUD (PLASTIC HOUSING):
    - RESIN - SPS 30%GF - 20% REGRIND MAX. BY WEIGHT
  - b. 0.64MM PINS:
    - BASE MATERIAL: C26000
    - PLATING TYPE: AS NOTED
  - c. PIN ALIGNMENT PLATE: MYLAR
3. PLATING REQUIREMENTS:
- a. UNDERPLATING - OVERALL NICKEL
  - b. OVERPLATING - OVERALL TIN

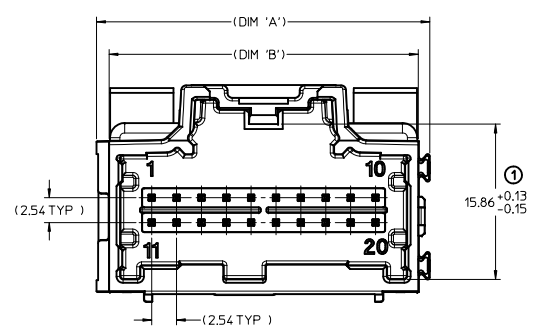
UPDATED DIMENSIONS DEC NO: UAU2011-0361 DRAWING NO: 2010/11/04 CHKD: CHYD APPR: SMARCEAU REV: H4	QUALITY SYMBOLS ▽=0 ▽=0	GENERAL TOLERANCES (UNLESS SPECIFIED): <table border="1"> <tr> <th></th> <th>mm</th> <th>INCH</th> </tr> <tr> <td>4 PLACES</td> <td>±.00</td> <td>±.00</td> </tr> <tr> <td>3 PLACES</td> <td>±.01</td> <td>±.00</td> </tr> <tr> <td>2 PLACES</td> <td>±.03</td> <td>±.00</td> </tr> <tr> <td>1 PLACE</td> <td>±.05</td> <td>±.00</td> </tr> </table> ANGULAR ± 3°		mm	INCH	4 PLACES	±.00	±.00	3 PLACES	±.01	±.00	2 PLACES	±.03	±.00	1 PLACE	±.05	±.00	DIMENSION STYLE <b>MM ONLY</b>	SCALE <b>2:1</b>	DESIGN UNITS <b>METRIC</b>	THIRD ANGLE PROJECTION
		mm	INCH																		
	4 PLACES	±.00	±.00																		
	3 PLACES	±.01	±.00																		
2 PLACES	±.03	±.00																			
1 PLACE	±.05	±.00																			
DRAWN BY: MBAILEY CHECKED BY: EDILLON APPROVED BY: SMARCEAU	DATE: 10/02/06 DATE: 04/18/07 DATE: 2010/11/04	TITLE <b>STAC64 SINGLE BAY VERTICAL ASSEMBLY SALES DRAWING</b>	<b>MOLEX INCORPORATED</b>																		
MATERIAL NO. <b>SEE CHART</b>	DOCUMENT NO. <b>SD-34690-100</b>	SHEET NO. <b>1 OF 2</b>	THIS DRAWING CONTAINS INFORMATION THAT IS PROPRIETARY TO MOLEX INCORPORATED AND SHOULD NOT BE USED WITHOUT WRITTEN PERMISSION																		
DRAFT WHERE APPLICABLE MUST REMAIN WITHIN DIMENSIONS																					

CKT SIZE	DIM 'A'	DIM 'B'	DIM 'C'	DIM 'D'	DIM 'E'
20	34.04	31.57	27.94	31.97	23.00
16	28.96	26.49	22.86	26.89	17.92
12	23.88	21.41	17.78	21.81	12.84
8	18.80	16.53	12.70	16.73	7.76

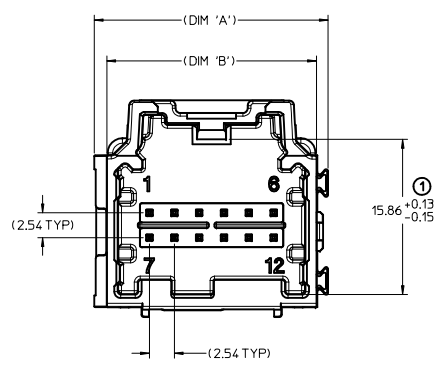
### RECOMMENDED PCB LAYOUT



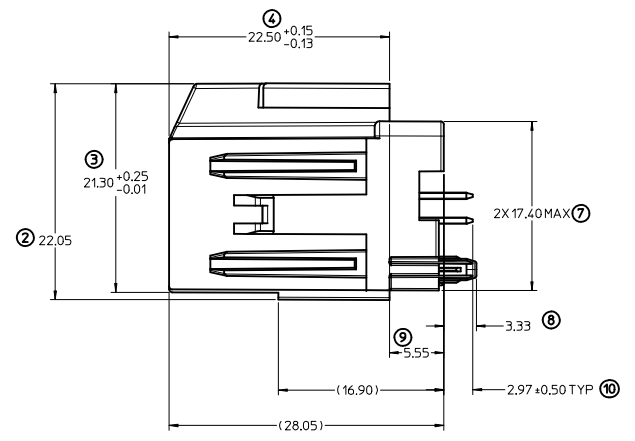
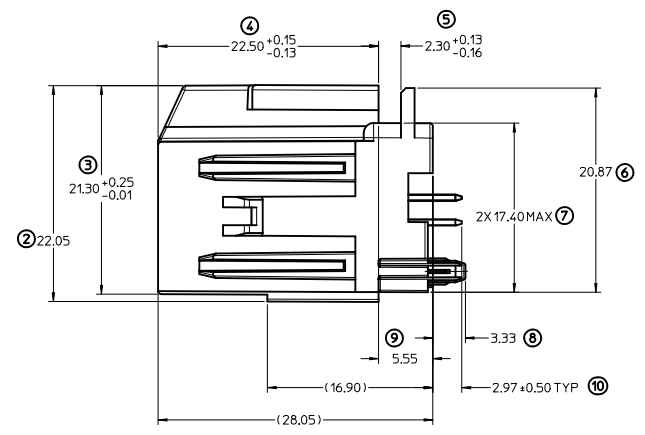
POST HOLE TABLE	
FOR DIM E:	
PRESS FIT	Ø2.60
DROP IN	Ø3.05



LAYOUT FOR 16 & 20 CKT. HEADERS  
(20 CKT. OPTION 'A' SHOWN)



LAYOUT FOR 8 & 12 CKT. HEADERS  
(12 CKT. OPTION 'A' SHOWN)



<b>UPDATED DIMENSIONS</b> EEC NO. UAU2011-0361 DRAWN BY: CHYK APPR: SMARCEAU DATE: 2010/11/04	<b>QUALITY SYMBOLS</b> ▽=0 ▽=0	<b>GENERAL TOLERANCES (UNLESS SPECIFIED)</b>		<b>DIMENSION STYLE</b> MM ONLY		SCALE 4:1	DESIGN UNITS METRIC	THIRD ANGLE PROJECTION
		4 PLACES ± --- ± --- 3 PLACES ± --- ± --- 2 PLACES ± 0.13 ± --- 1 PLACE ± 0.25 ± --- ANGULAR ± 3°	mm INCH	DRAWN BY MBAILEY	DATE 10/02/06	<b>TITLE</b> STAC64 SINGLE BAY VERTICAL ASSEMBLY SALES DRAWING		
<b>SIZE</b> D	DRAFT WHERE APPLICABLE MUST REMAIN WITHIN DIMENSIONS		MATERIAL NO. SEE CHART		MOLEX INCORPORATED		SHEET NO. 2 OF 2	
	THIS DRAWING CONTAINS INFORMATION THAT IS PROPRIETARY TO MOLEX INCORPORATED AND SHOULD NOT BE USED WITHOUT WRITTEN PERMISSION							