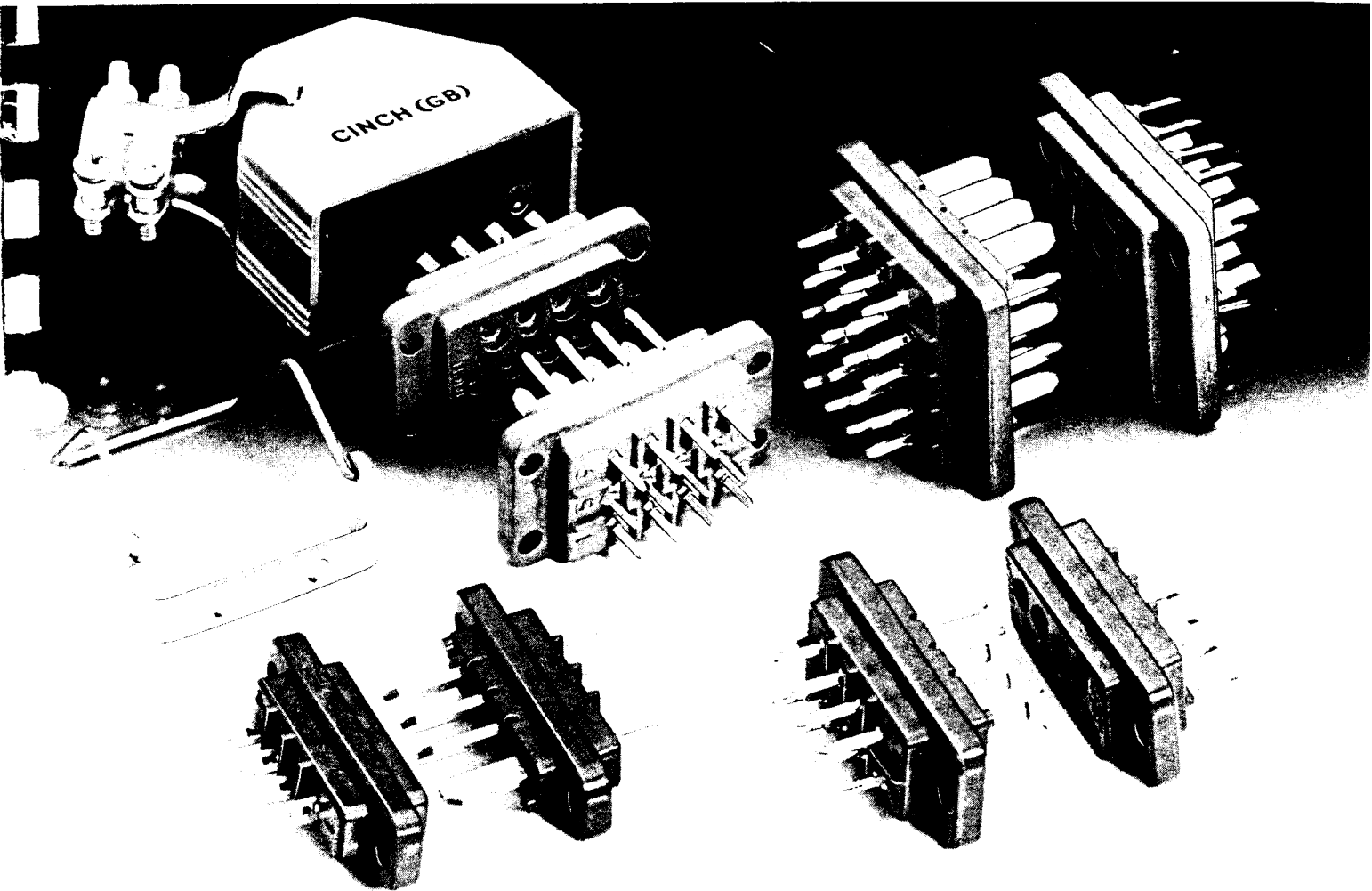


'J' connectors

4, 8, 12 and 20 contact series



Cinch Connectors 'J' connectors incorporate patented resilient finger contacts. Twelve fingers engage with each flat plug pin to provide low contact resistance, high current carrying capacity and minimum insertion and withdrawal forces. These special features help to provide a thoroughly reliable connector, enhanced by Mk.2 Shells moulded in grey high impact thermoplastic for appearance and durability.

How to order

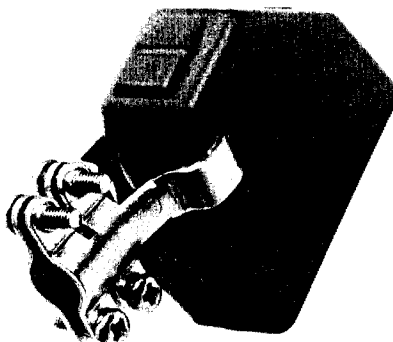
Plugs, sockets and shells must be ordered separately.

Contact identification

Contacts are numbered on the termination side of both plugs and sockets.

Mk. 2 Shells

No. 4 thread cutting screws with Pozidriv heads are provided loose for assembly of plugs/sockets into Mk. 2 Shells. For uniformity Pozidriv headed screws are now supplied for cable clamp adjustments.



Materials and finishes

Mouldings

High impact thermoplastic—Green

Plug blades

Brass—Silver plated

Socket contacts

Copper alloy—Silver plated

Shells

High impact thermoplastic colour—Grey

Technical data

Number of ways

4, 8, 12 and 20

Working voltage

900 V d.c. or a.c. peak

Current rating

5 A

Voltage proof

3 kV between contacts and 2,8 kV between contacts and frame d.c. or a.c. peak

Contact resistance

5 milliohms

Insulation

resistance

5,000 megohms min.

Temperature range



-40°C to +100°C


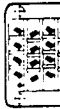
'J' connectors

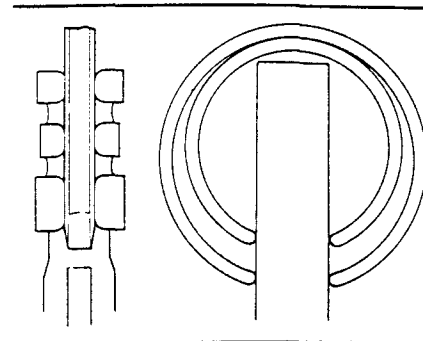
4, 8, 12 and 20 contact series

Connector sizes and contact arrangements

Highly reliable 12 point contacts

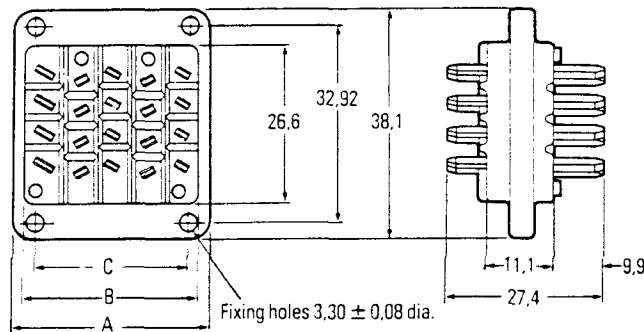
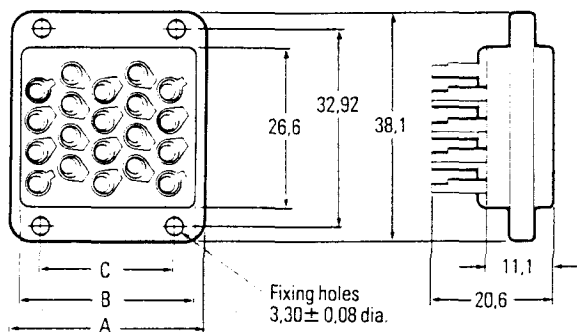
4	Plug	Socket	Shell
	JA 77844 00 000 000	JA 77845 00 000 000	JA 83383 00 0PB Ro1
12	Plug	Socket	Shell
	JA 77848 00 000 000	JA 77849 00 000 000	JA 83385 00 0PB Ro1

8	Plug	Socket	Shell
	JA 77846 00 000 000	JA 77847 00 000 000	JA 83384 00 0PB Ro1
20	Plug	Socket	Shell
	JA 77850 00 000 000	JA 77851 00 000 000	JA 83386 00 0PB Ro1



Dimensions

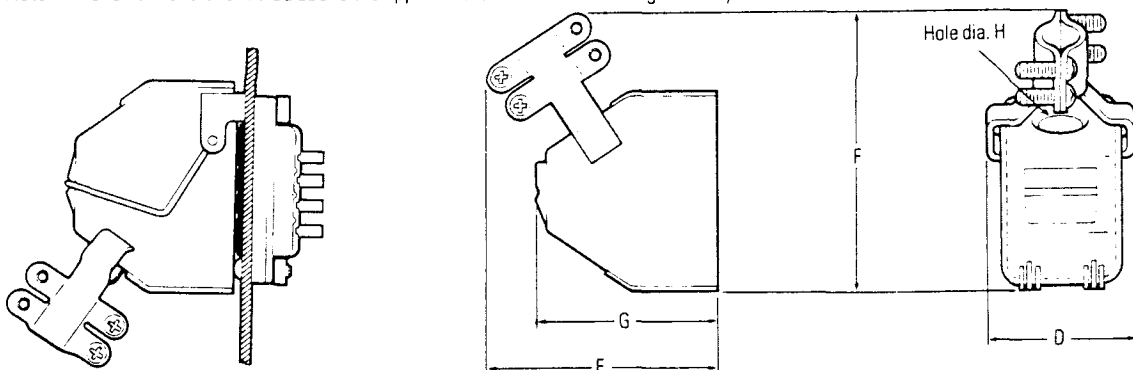
All dimensions are in millimetres



Connector Size	Plug and socket dimensions		
	A	B	C
4	10,3	7,3	two mounting holes only
8	15,8	12,8	holes only
12	21,4	18,4	12,70
20	32,5	29,5	22,22

Connector Size	Shell dimensions				
	D	E	F	G	H (min)
4	17,9	45,7	56,4	35,7	8,5
8	23,4	46,8	57,2	35,7	10,3
12	29,4	46,8	57,2	35,7	11,8
20	40,0	48,0	58,3	35,7	13,9

Note: the shell dimensions tabled above are approximate and intended as a guide only



Assembly of plug, socket and shell to chassis

CINCH

Solutions that Connect.

Cinch Connectors Ltd
Shireoaks Road,
Workshop,
Notts S80 3HA,
England.
Telephone: (0909) 474131
Telex: 54594
Faxline: (0909) 478321

Cinch Connector Division
1500 Morse Avenue,
Elk Grove Village,
IL 60007 U.S.A.
Telephone: (708) 981-6000
Telex: 287433
Faxline: (708) 981-6132

Connecteurs Cinch
Labinal
8 Square Newton, BP 218,
78051 St. Quentin
En Yvelines, Cedex, France
Telephone: (1) 30 85 32 82
Telex: 698330F
Faxline: (1) 30 43 41 71

Cinch Connectors
Labinal Components &
Systems GmbH,
Aidenbach Strasse 137a,
8000 München 71,
West Germany,
Telephone: 089 789053
Telex: 17 898848
Faxline: 089 7809926

Cinch Microfits Pte. Ltd.
23 Tannery Rd.,
Singapore 1334,
Telephone: 65.7456444
Faxline: 65.7454088