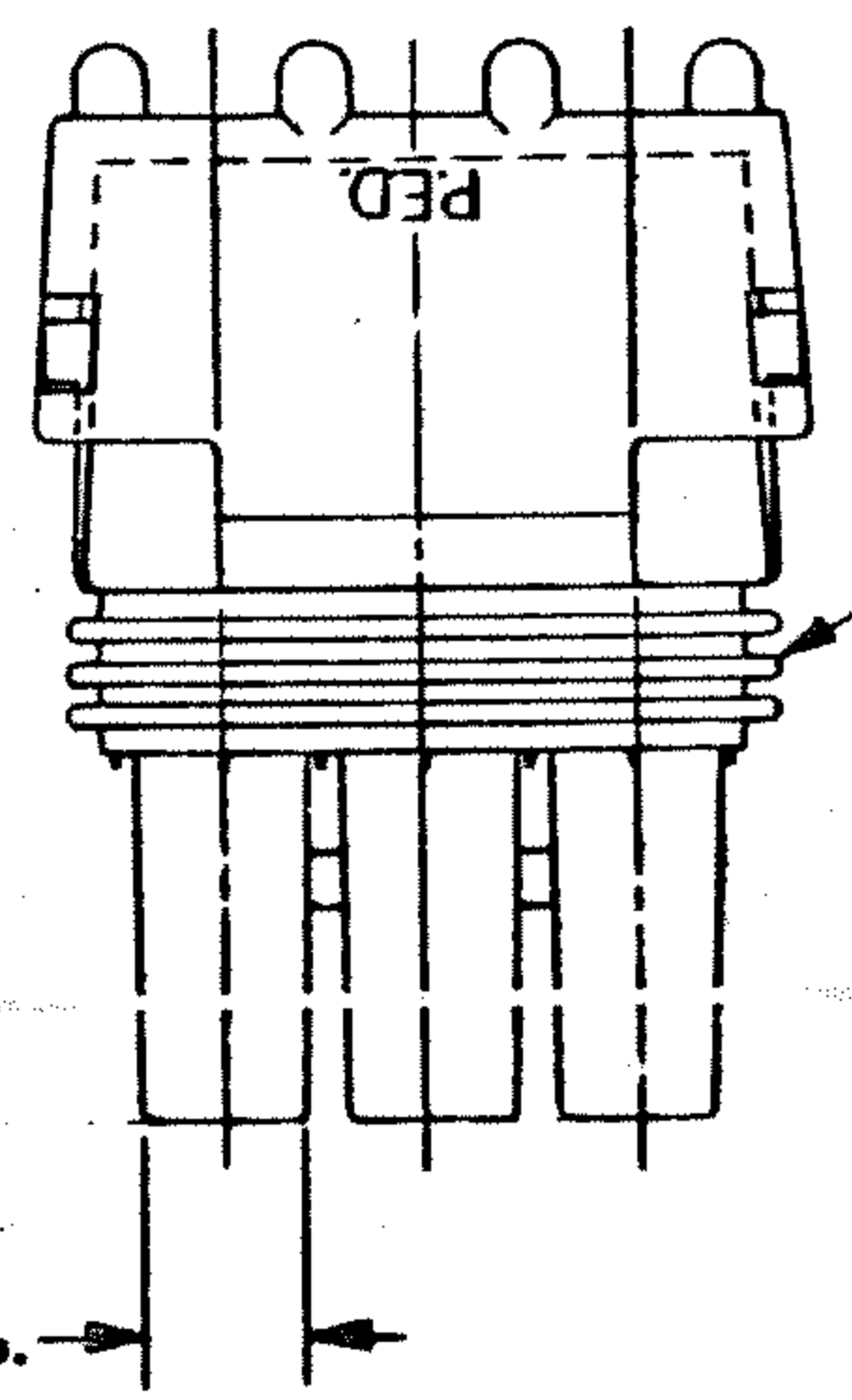


**D** THIS DRAWING AND DESIGN HEREON CONSTITUTE A PROPRIETARY DESIGN OF PACKARD ELECTRIC DIVISION AND IS NOT TO BE DUPLICATED OR REPRODUCED WITHOUT AUTHORITY OF PACKARD ELECTRIC DIVISION.

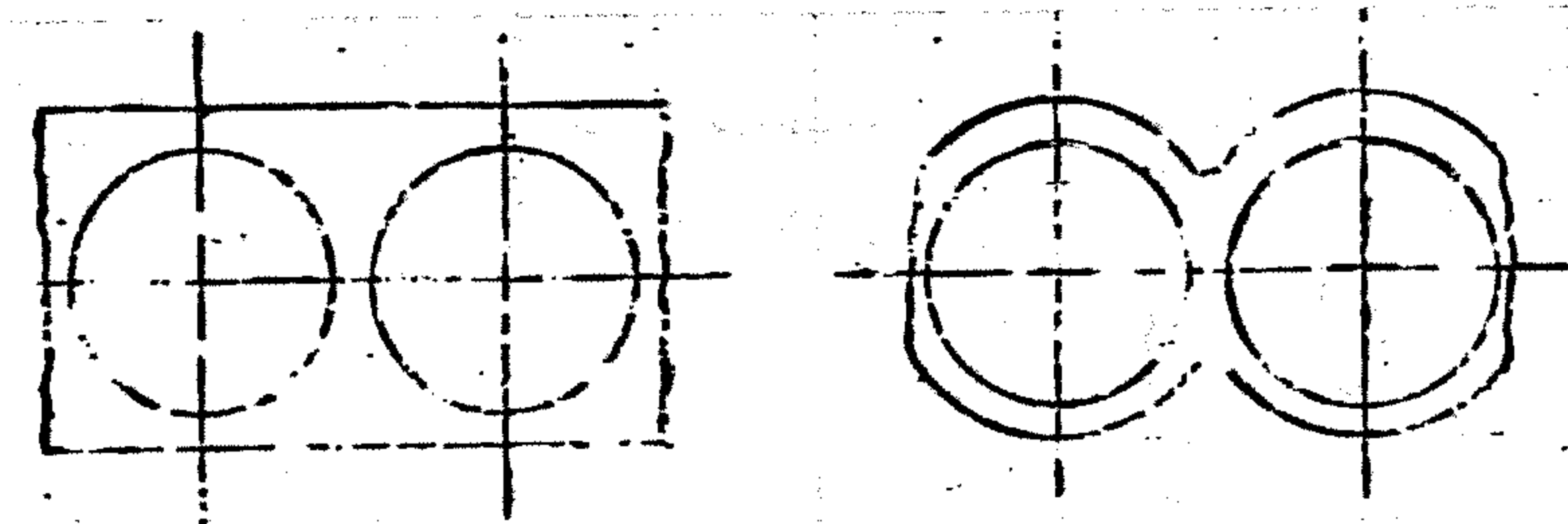
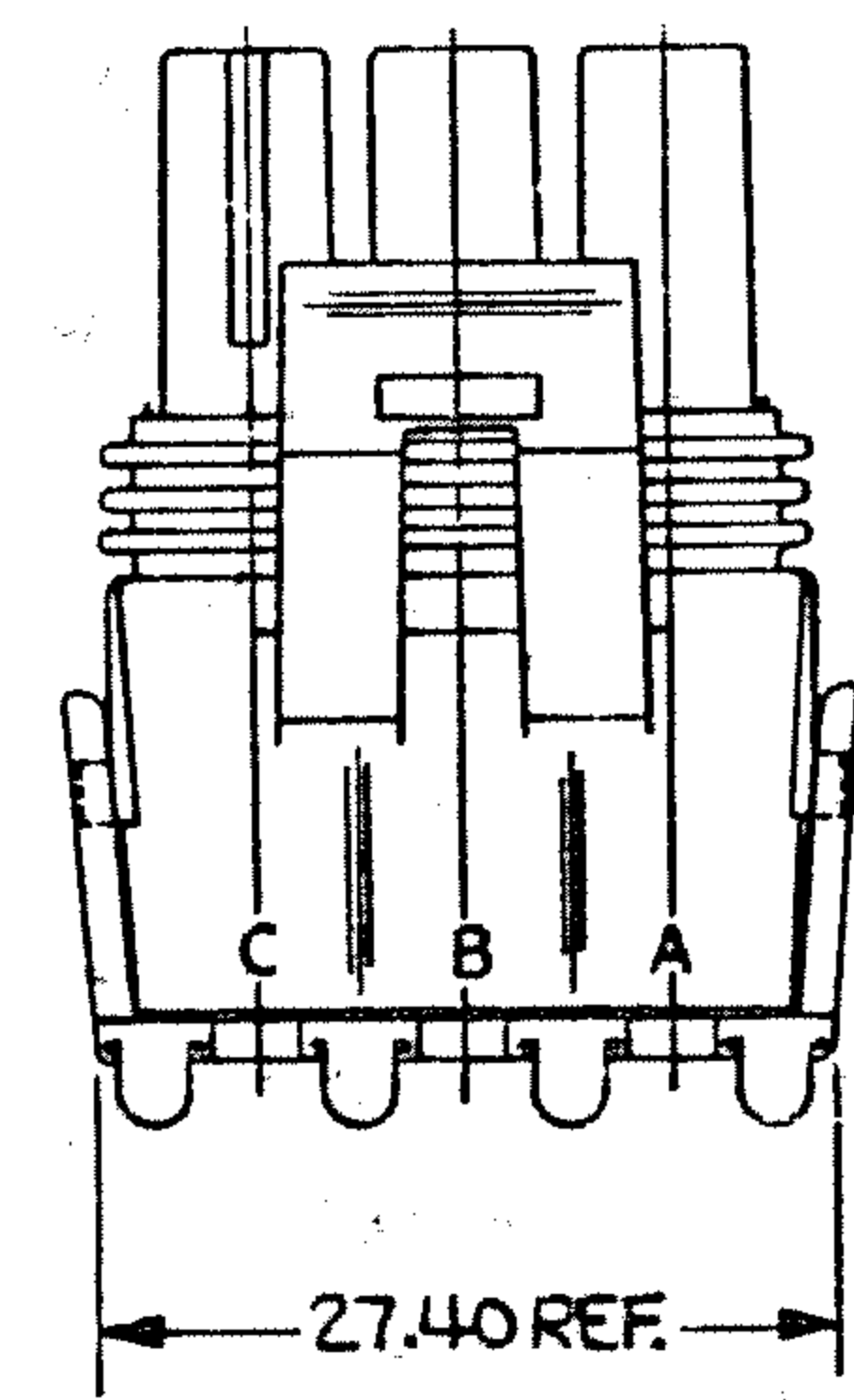
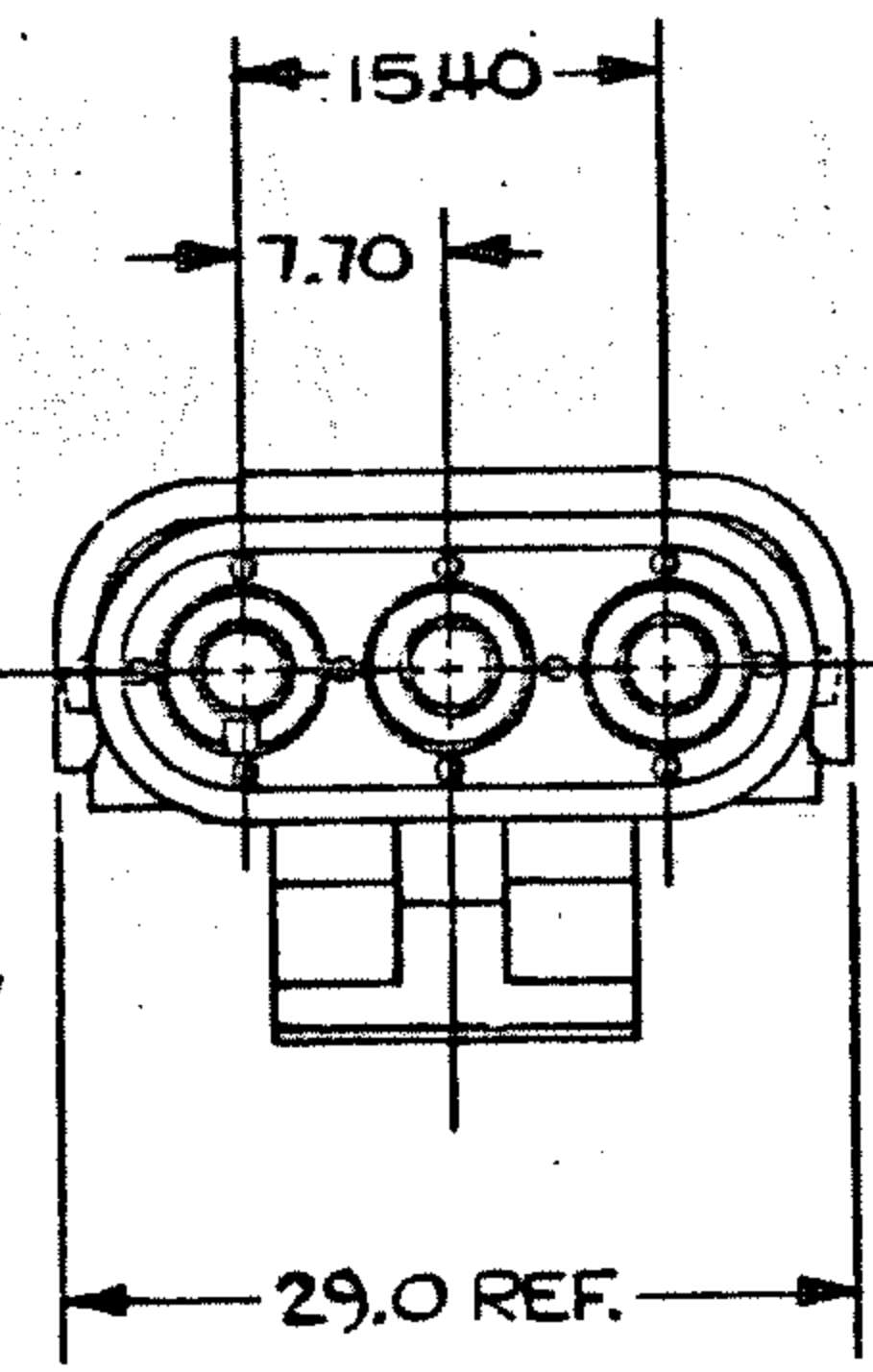
400A  
171A

PACKARD ELECTRIC DIVISION  
GENERAL MOTORS CORPORATION  
WARREN, OHIO

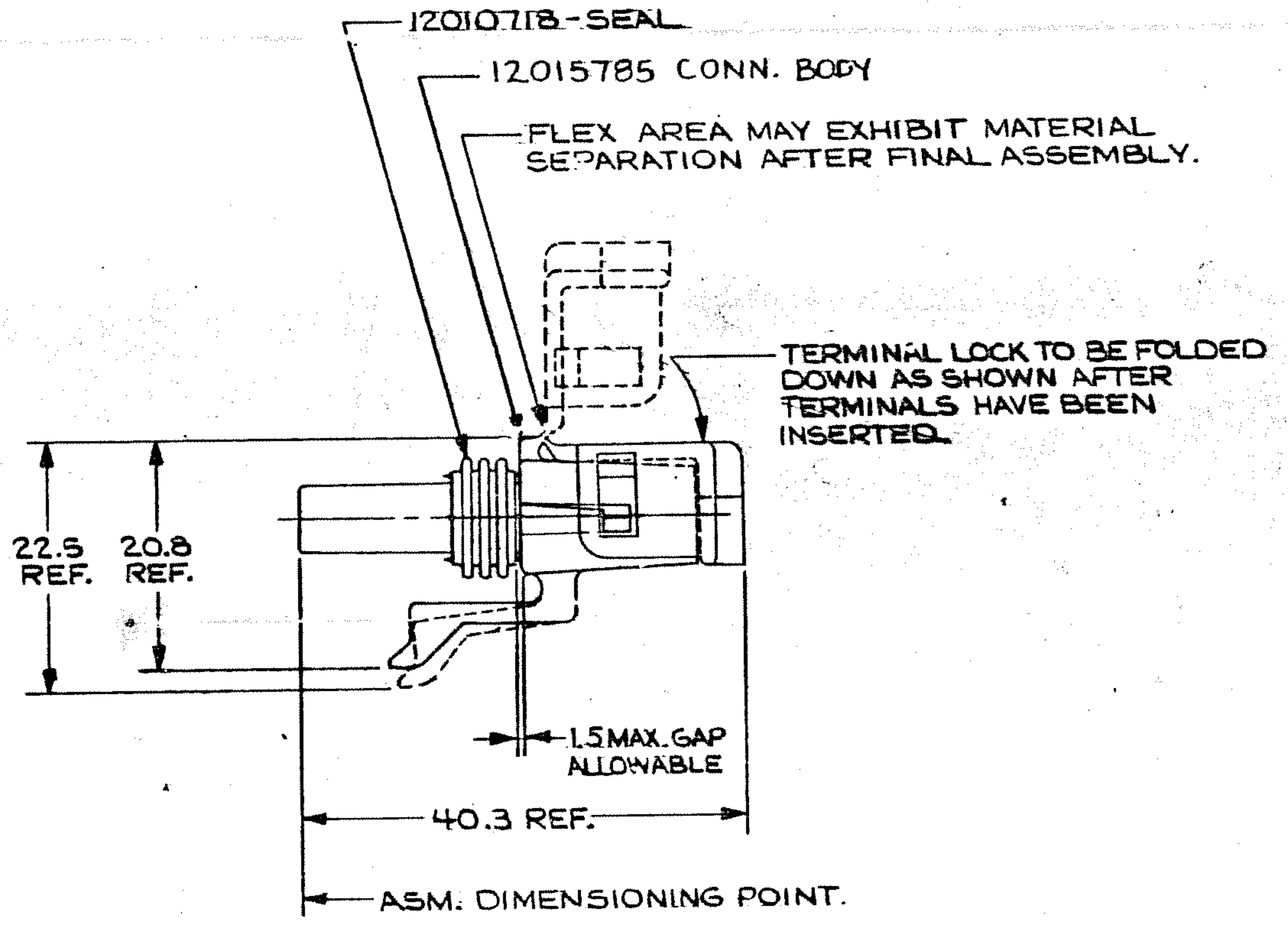


SEALING RIBS MUST BE FREE OF DEFECTS.

6.15 DIA. - 3 PLCS.



STANDARD CONSTRUCTION  
OPTIONAL CONSTRUCTION  
CABLE END VIEW OF CONN. BODY



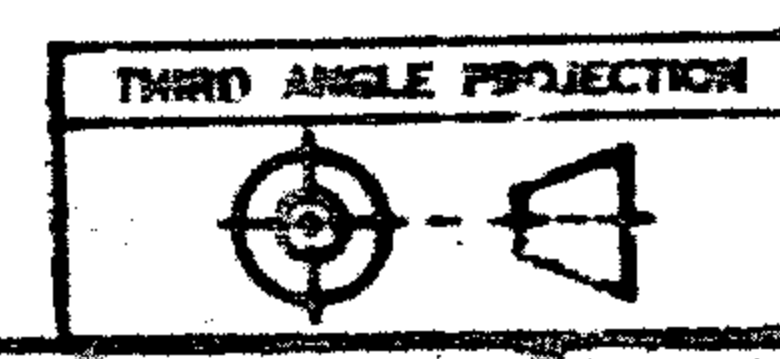
- NOTES**—1. USE FEMALE TERMINAL 12034051 OR EQUIVALENT FOR 'IN-LINE' APPLICATIONS. USE MALE TERMINAL 12033674 FOR 'PANEL MOUNT' APPLICATIONS.  
2. USE CABLE SEAL 12015323 OR EQUIVALENT.  
3. MATING PART- DEVICE  
4. WHEN PARTS ARE SHIPPED, THEY MUST BE PACKED IN PLASTIC BAGS OR SHIPPING CONTAINERS MUST BE LINED WITH PLASTIC LINERS. BAGS OR LINERS MUST BE SEALED TO AVOID ENTRY OF FOREIGN MATTER.  
5. SEALING CODE 3.

DATE	SYM.	REVISION RECORD	AUTH	DR.	CK.
06MY80	A	RELEASED	80005	JH	JM
09FE81	-	ADDED STANDARD & OPTIONAL CONST. VIEWS	75211	DB	JK
9JL83	-	1.5 MAX. WAS 1.0 MAX.	85923	GW	YO
11SE87	-	REVISED NOTE #1 & ADDED NOTE #5	115623	TD	JK
28OC87	-	REVISED NOTE #1+3	116529	BA	JM

PART NO.  
**1201 5795**

**METRIC**  
DIMENSIONS ARE IN MILLIMETRES  
UNLESS OTHERWISE SPECIFIED

P. N. C. CODE			
CODE NO. 6900	TOLERANCE UNLESS OTHERWISE SPECIFIED DECIMAL: ONE PLACE ± 0.3 TWO PLACE ± 0.15 ANGULAR ± 2°		
QC - C-5110	SCALE NONE	DR. C. E. Hitters	DATE 05MY80
DWG. DATE 06MY80	EST. NO.	CR. J. Mandray	DATE 06MY80
REFERENCE NO.	APPR. C. W. ...	DATE 07MY80	DATE 07MY80
MATERIAL SPEC. SEE DWG.			
NAME ASM CONN 3MF W/P TWR			
PART NO. <b>1201 5795</b>			SIZE <b>C</b>



84A  
99  
274A