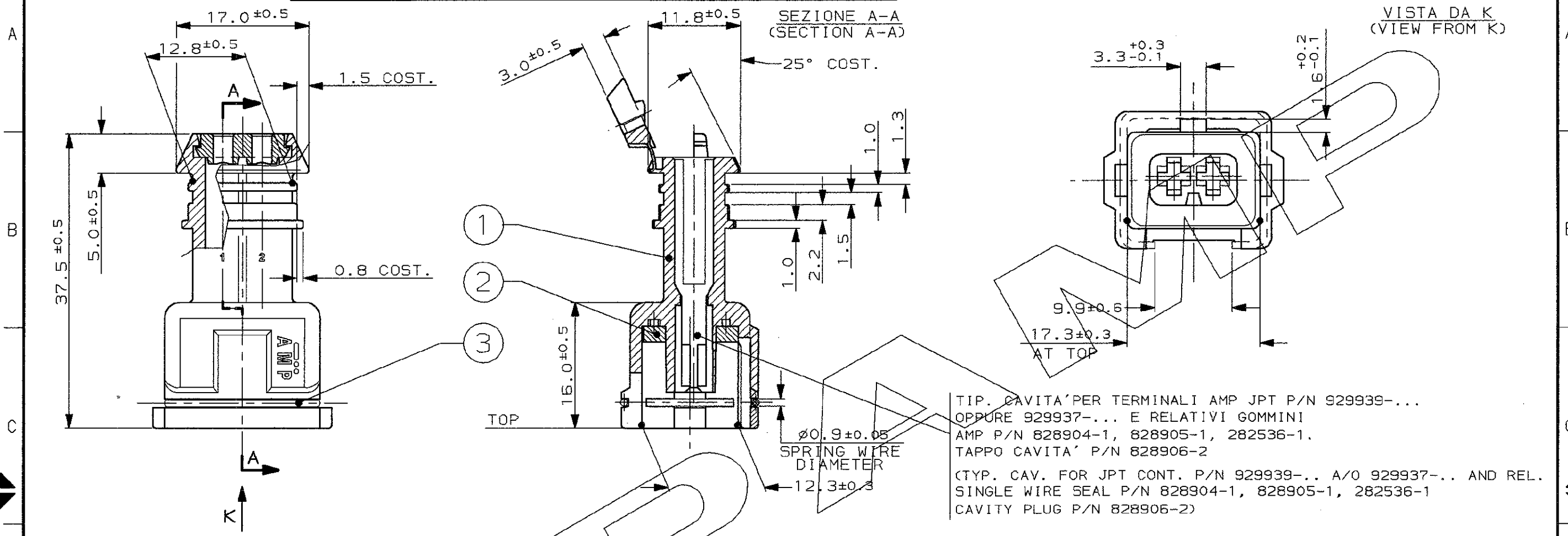
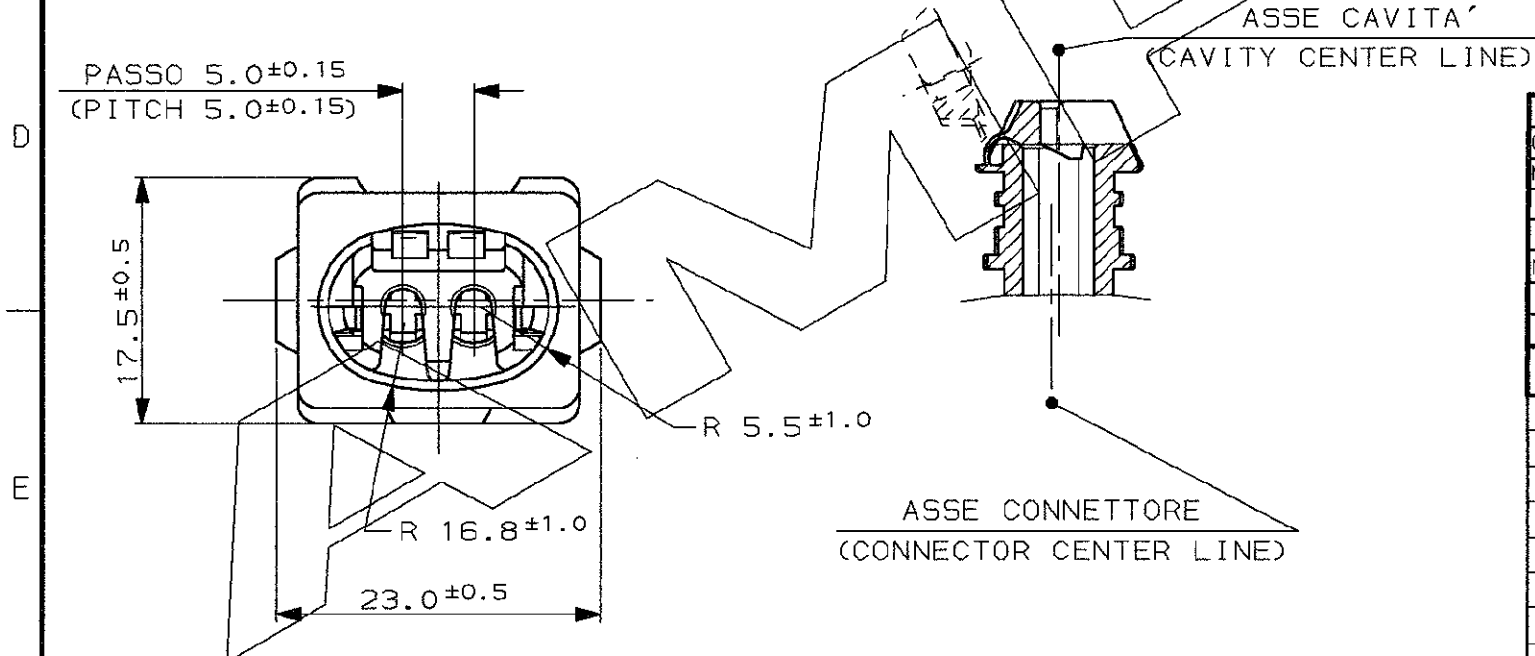


CONNETTORE TIPO B (CON MOLLA DI RITEGNO INTERNA)
CONNECTOR TYPE B (WITH INTERNAL SPRING)



TIP. CAVITA' PER TERMINALI AMP JPT P/N 929939-...
OPPURE 929937-... E RELATIVI GOMMINI
AMP P/N 828904-1, 828905-1, 282536-1.
TAPPO CAVITA' P/N 828906-2
(TYP. CAV. FOR JPT CONT. P/N 929939-... A/O 929937-... AND REL.
SINGLE WIRE SEAL P/N 828904-1, 828905-1, 282536-1
CAVITY PLUG P/N 828906-2)



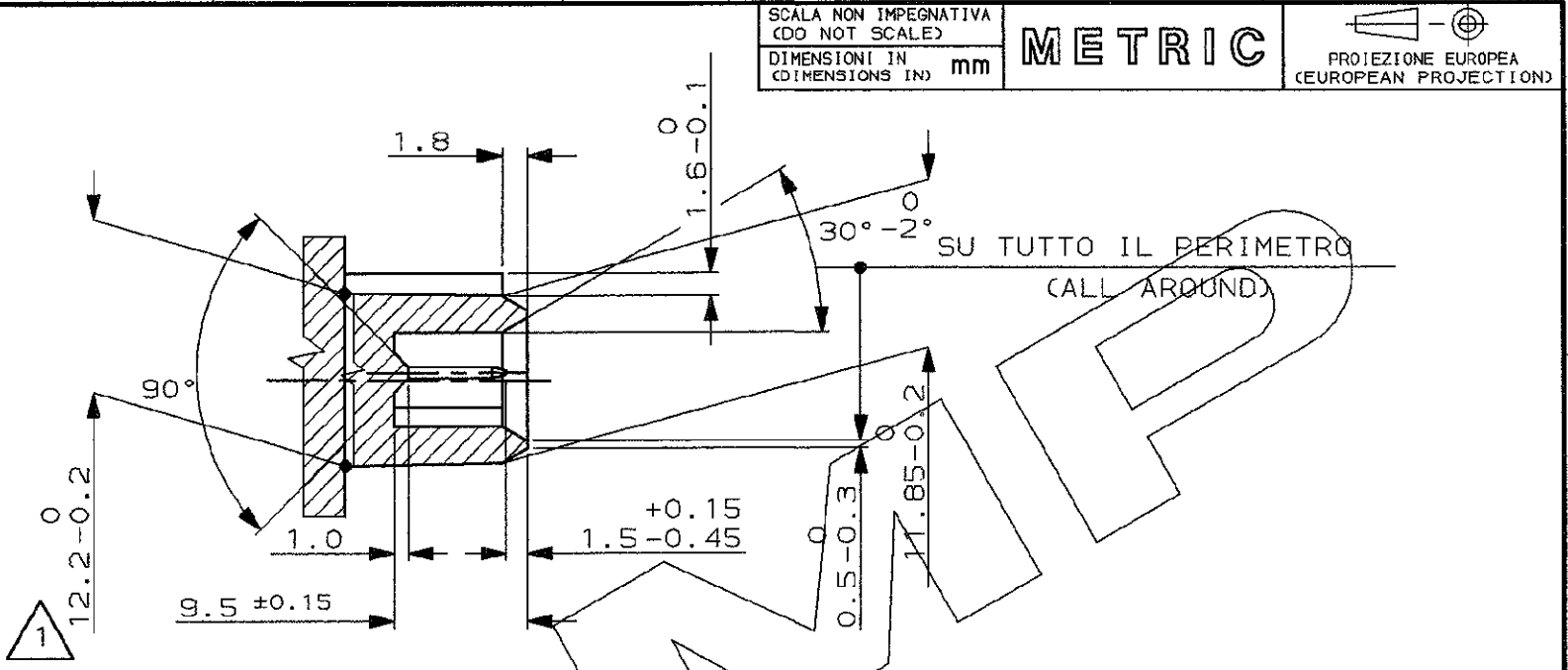
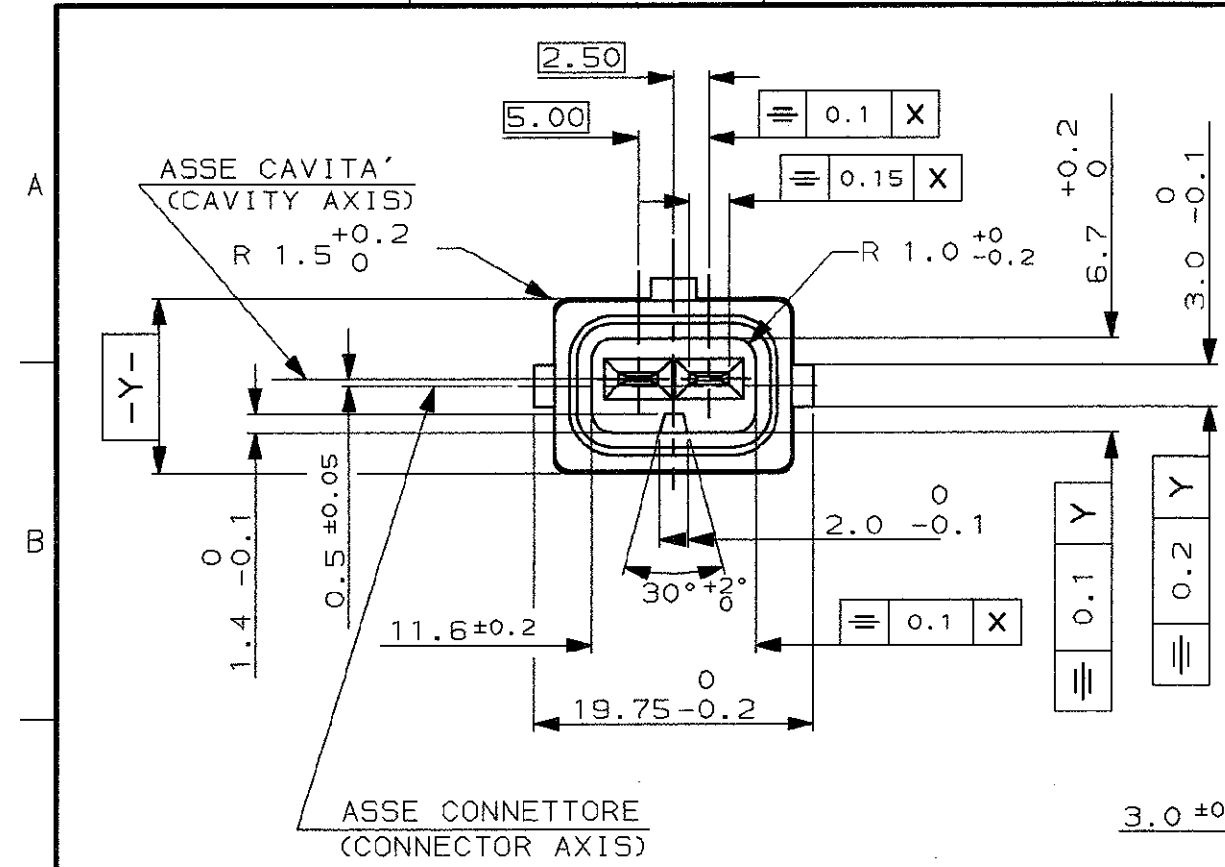
| ROSSO (RED) | 282190-8 | | | | |
|------------------|-------------------|-----------|-------------------------------------|--------------------------------|-----------------------------|
| GIALLO (YELLOW) | 282190-7 | | | | |
| MARRONE (BROWN) | 282190-6 | | | | |
| BLU (BLUE) | 282190-5 | 3 | ////// | ACCIAIO INOX (STAINLESS STEEL) | MOLLA (SPRING) |
| VERDE (GREEN) | 282190-4 | 2 | NATURALE (NATURAL) | GOMMA (RUBBER) | GUARNIZIONE (RUBBER GASKET) |
| NATURALE (NATUR) | 282190-3 | 1 | ////// | PA 6.6 C.VETRO (PA 6.6 G.F.) | BLOCCHETTO (HOUSING) |
| GRIGIO (GREY) | 282190-2 | | | | |
| NERO (BLACK) | 282190-1 | | | | |
| COLORE (COLOR) | NUMERO (PART. N°) | N° (ITEM) | FINITURA / COLORE (FINISH / COLOUR) | MATERIALE (MATERIAL) | DESCRIZIONE (DESCRIPTION) |

CUSTOMER DWG. FOR REFERENCE ONLY
DISEGNO PER CLIENTE SOLO PER RIFERIMENTO

THIS DRAWING IS UNPUBLISHED
RELEASE FOR PUBLICATION 19
© COPYRIGHT 19 BY AMP INCORPORATED, HARRISBURG, PA. ALL INTERNATIONAL RIGHT RESERVED. AMP PRODUCTS MAY BE COVERED BY U.S. AND FOREIGN PATENT AND/OR PATENT PENDING.

| | | | | | | | |
|------|--|-----------------------|-----------|---|---|--|-------------------|
| L | AGGIORNATO (REVISED) PER EC ET00-0221-96 | A.F. | 27-5 '96 | TOLLERANZE, SE NON DIVERSAMENTE SPECIFICATO | DIAM. ISOLANTE (INS. DIA. RANGE) 1.5-3.0 | RANGO FILO (WIRE RANGE) 0.5-2.5 mm ² | SCALA (SCALE) *** |
| G | AGGIORNATO (REVISED) PER EC ET00-0305-95 | R.M. | 16-11 '95 | (TOLERANCES, UNLESS OTHERWISE SPECIFIED) | ± 0.3 | | |
| F | AGG. FOGLIO 2 (ADDED SH.2) | R.M. | 3-9 '93 | | ANGOLI (ANGLES) ± 2° | | |
| E | IN PRODUZIONE (IN PRODUCTION) | R.M. | 13-10 '92 | | DIS. 9 NOV 90 | DESCRIZIONE (DESCRIPTION) 2 W.SPLASH PROOF CONN.ASS'Y with SECONDARY LOCK | |
| D | AGGIORNATO (REVISED) | R.M. | 17-3 '92 | | AMP ITALIA S.p.A. Corso F.LLI Cervi, 15 COLLEGNO (TORINO) | | |
| C | AGGIORNATO (REVISED) | R.M. | 28-2 '92 | | | | |
| B | AGGIORNATO (REVISED) | R.M. | 30-9 '91 | | LOC. SIZE NUMERO (DWG NO) I A3 C-282190 | | |
| A | WAS P/N C-90-51265-10 | C.E. | 2.91 | | | | |
| REV. | REVISIONI (REVISION RECORD) | DIS. DATA (DR) (DATE) | | | | | |

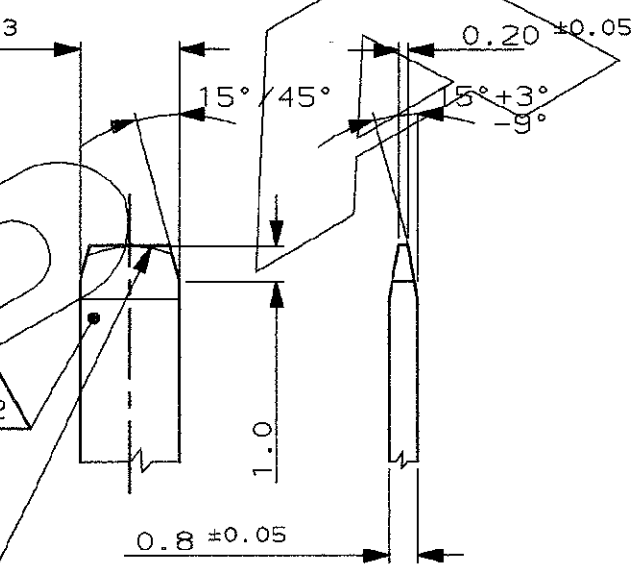
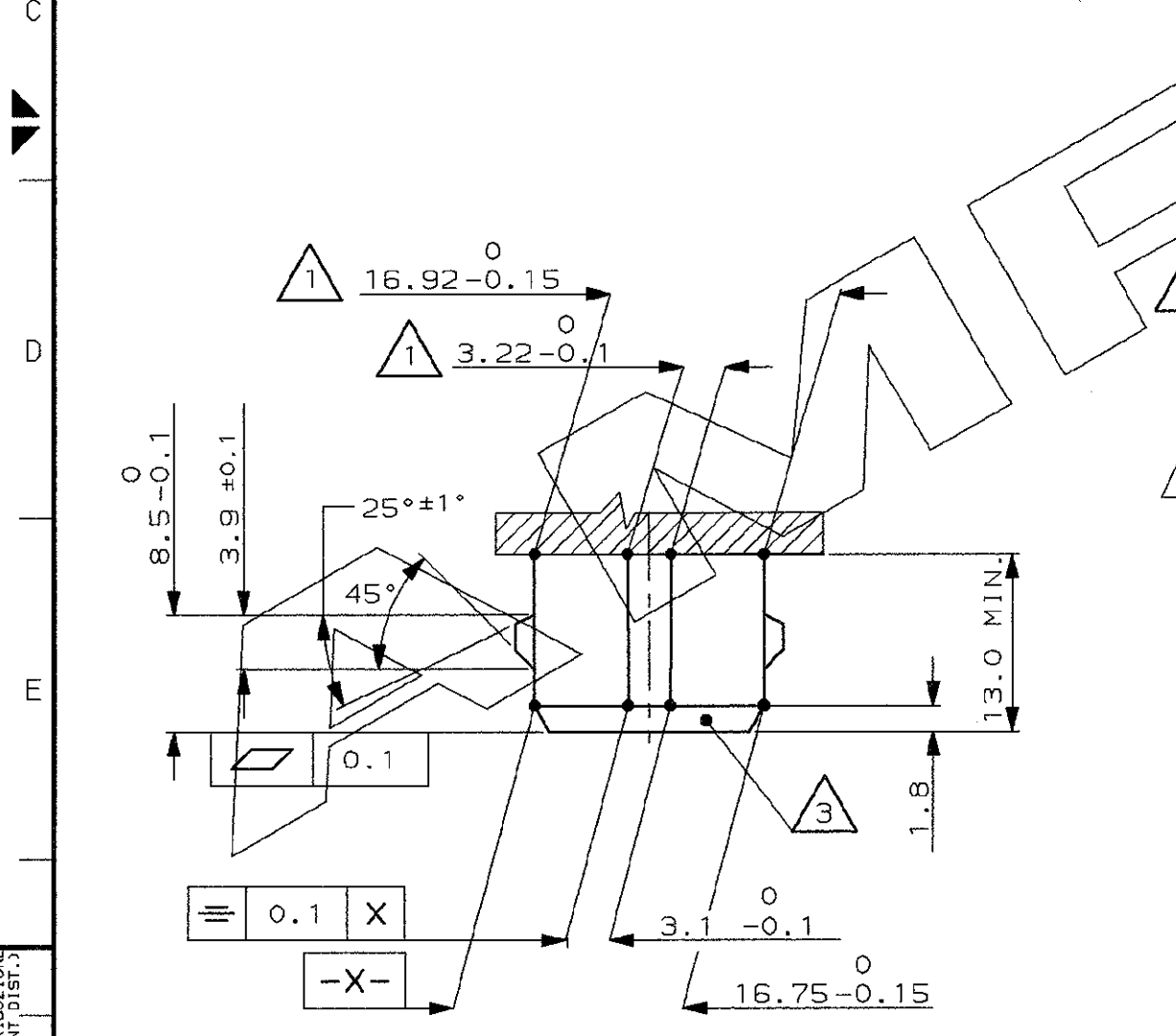
DISTRIBUZIONE (PRINT DIST.)



DETT. CONTATTO SC. 5:1
(TAB DETAIL SC. 5:1)

NOTE (NOTES):

- 1 QUOTE APPLICABILI PER SFORMATURA PEZZO (RIGHT DIMENSIONS FOR EXTRACTION ITEM FROM THE MOULD)
- 2 MATERIALE CONTATTI: LEGA DI RAME STAGNATA, ES. OTTONE STAGNATO. (TAB MATERIAL: TINNED Cu ALLOY, E.G. TINNED BRASS)
- 3 MATERIALE BLOCCHETTO: TERMOPLASTICO CARICATO FIBRA VETRO. (HOUSING MATERIAL: THERMOPLASTIC GLASS FIBER FILLED).



FORMA ALTERNATIVA PERMESSA CON RAGGIO
(ALLOWED ALTERNATIVE PROFILE WITH RADIUS)

| | | | | | |
|--|--|---|--|---|--|
| FINITURA / COLORE (FINISH / COLOUR) | | MATERIALE (MATERIAL) | | NUMERO (PART NUMBER) | |
| CUSTOMER DWG. FOR REFERENCE ONLY | | DISEGNO PER CLIENTE SOLO PER RIFERIMENTO | | 19 | |
| THIS DRAWING IS UNPUBLISHED | | RELEASE FOR PUBLICATION | | | |
| © COPYRIGHT 19 BY AMP INCORPORATED, HARRISBURG, PA. ALL INTERNATIONAL RIGHT RESERVED. AMP PRODUCTS MAY BE COVERED BY U.S. AND FOREIGN PATENT AND/OR PATENT PENDING | | | | | |
| TOLLERANZE, SE NON DIVERSAMENTE SPECIFICATO (TOLERANCES, UNLESS OTHERWISE SPECIFIED) | | DIAM. ISOLANTE (INS. DIA. RANGE) | | RANGO FILO (WIRE RANGE) | |
| ± 0.3 | | SEE SHEET 1 | | SEE SHEET 1 | |
| ANGOLI (ANGLES) | | SCALA (SCALE) | | *** | |
| ± 2° | | AMP | | AMP ITALIA S.p.A. Corso F.lli Cervi, 15 COLLEGNO (TORINO) | |
| DESCRIZIONE (DESCRIPTION) | | LOC. | | SIZE | |
| 2 POS. SPLASH PROOF CONN. ASS'Y with SECONDARY LOCK | | I A3 | | C-282190 | |
| CONT. (CHK.) | | NUMERO (DWG NO) | | REV. | |
| SEE SHEET 1 OF 2 | | I A3 | | - | |
| APP. (APP.) | | FOGLIO (SHEET) | | 2 OF 2 | |
| REV. (REV.) | | REVISIONI (REVISION RECORD) | | DIS. DATA (DR) (DATE) | |

DISTRIBUZIONE
(PRINT DIST.)