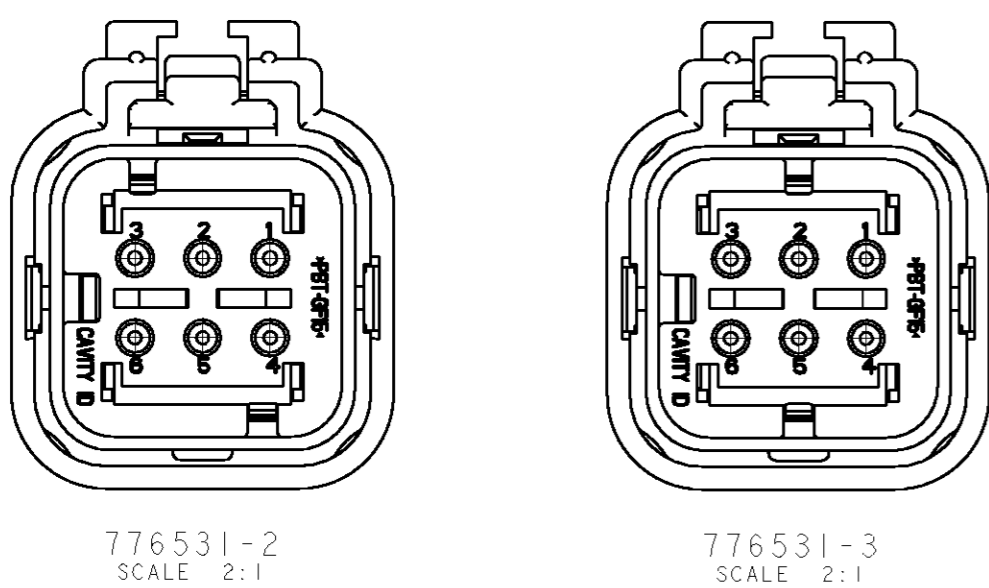
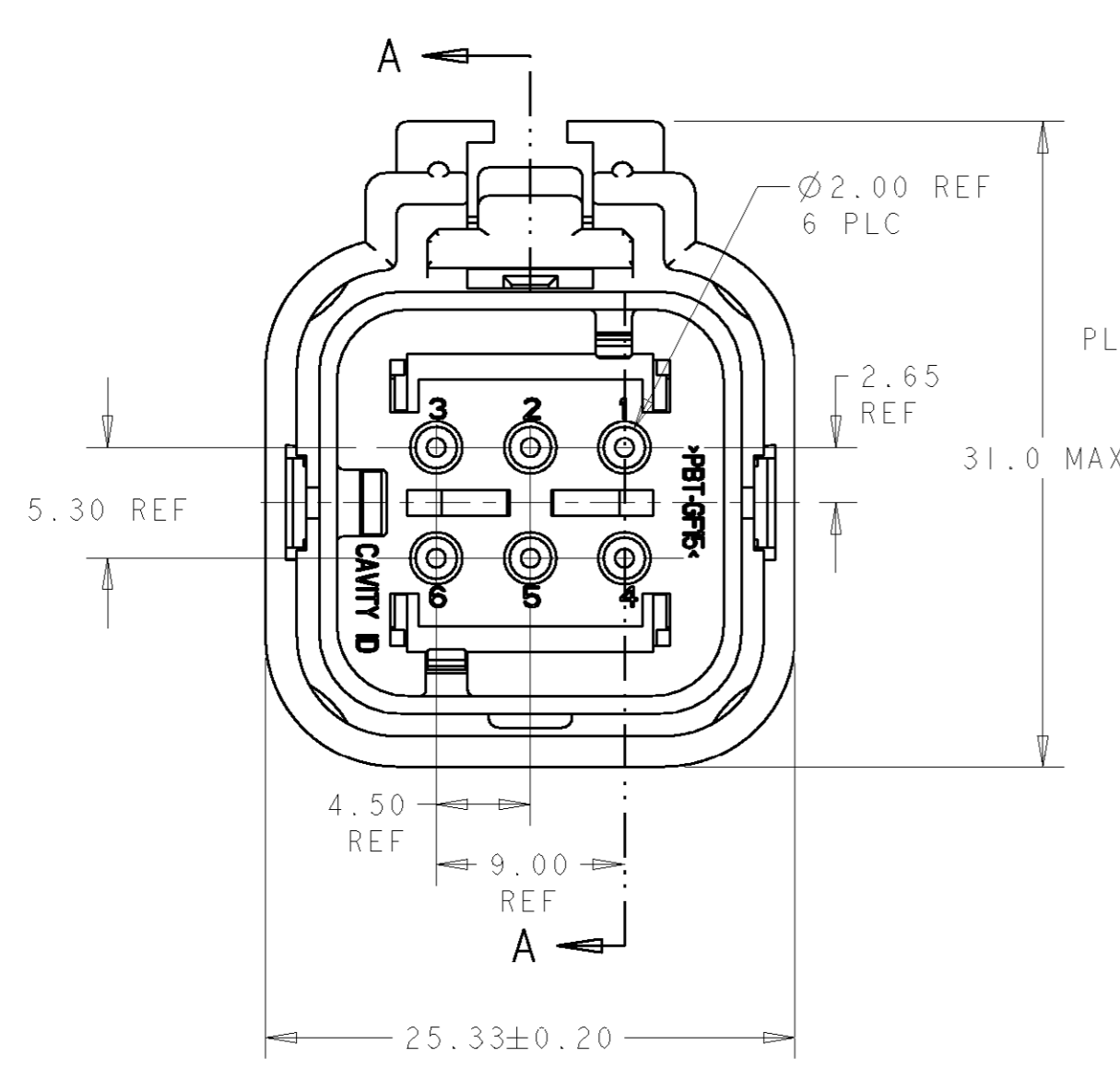


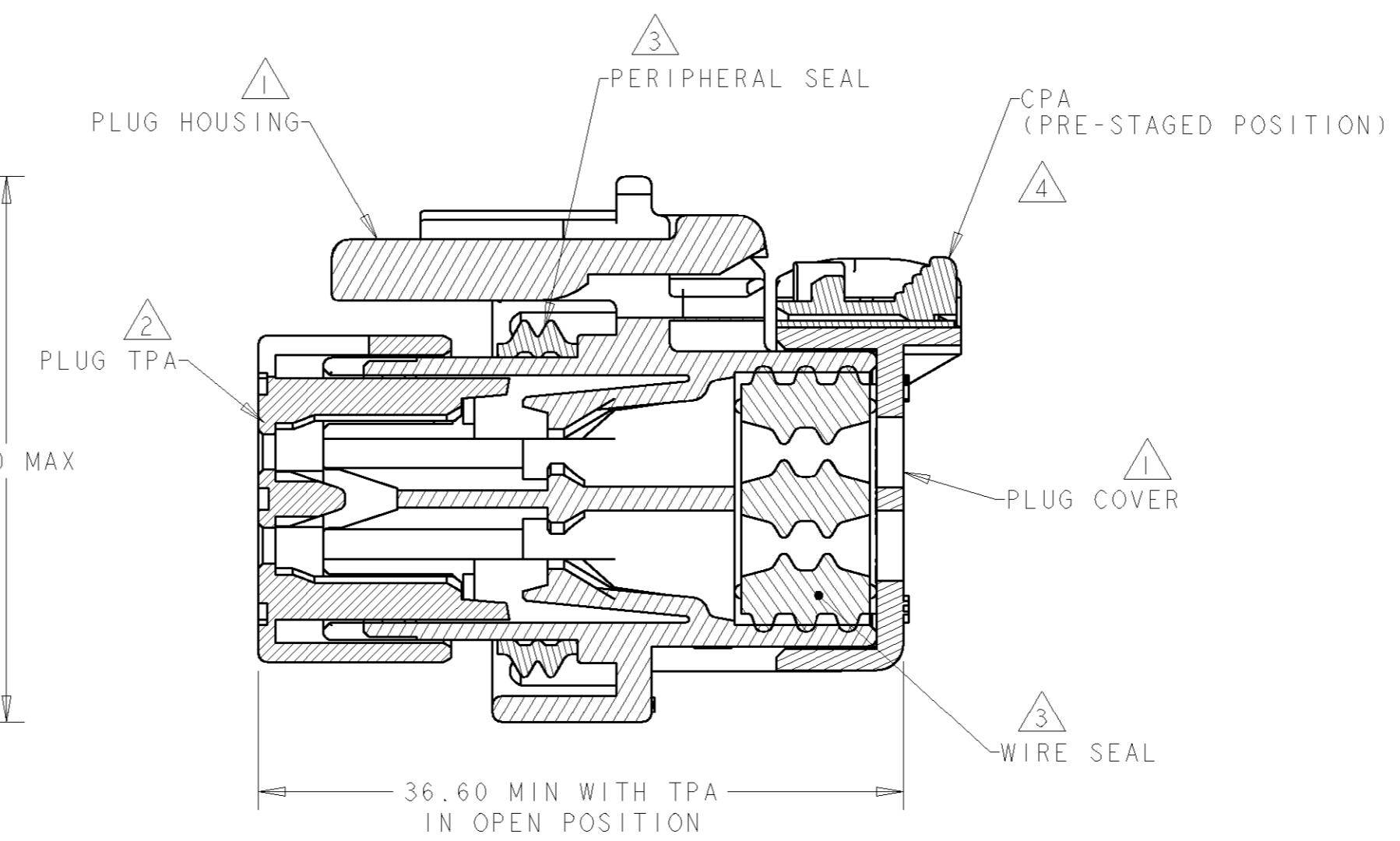
| LOC | DIST | REVISIONS | | | |
|-----|------|------------------------------|---------|-----|------|
| P | LTR | DESCRIPTION | DATE | DWN | APVD |
| GE | 00 | C1 REVISED PER ECO-11-005294 | 30APR11 | RK | HMR |



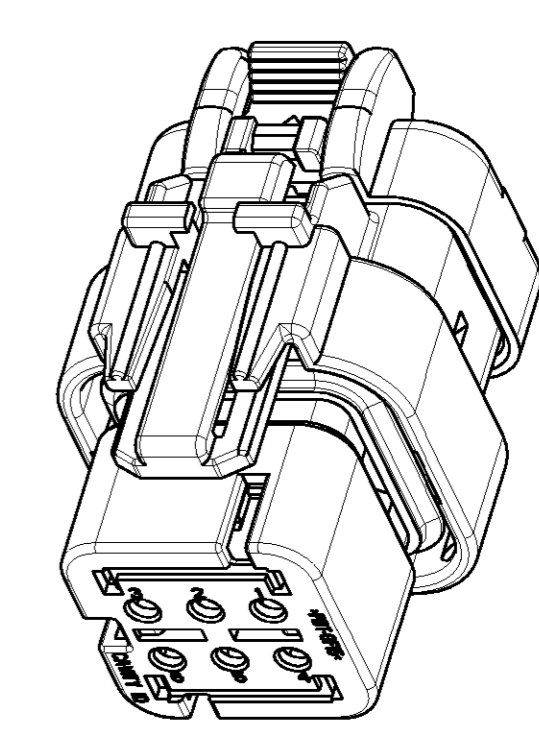
- 1 MATERIAL: 15% GLASS FILLED THERMOPLASTIC
COLOR: BLACK
 - 2 MATERIAL: 15% GLASS FILLED THERMOPLASTIC
COLOR: (SEE TABLE)
 - 3 MATERIAL: SILICONE
COLOR: LIGHT BLUE
 - 4 MATERIAL: 15% GLASS FILLED THERMOPLASTIC
COLOR: RED
5. RECOMMENDED WIRE DIAMETER RANGE IS 1.30 TO 2.54mm



776531-1 SHOWN



SECTION A-A



SCALE 2:1

| | |
|-----------|-------------|
| YELLOW | 776531-3 |
| GRAY | 776531-2 |
| RED | 776531-1 |
| TPA COLOR | PART NUMBER |

| | | | | | | | |
|-------------|--|---|--|---------------------|-----------|--|------------------------|
| DIMENSIONS: | | TOLERANCES UNLESS OTHERWISE SPECIFIED: | | DWN W. HOELSCHER | 04SEP2003 | | TE Connectivity |
| mm | | 0 PLC ± 1 PLC ± 2 PLC ± 3 PLC ± 4 PLC ± ANGLES ± FINISH | | CHK J. PATTERSON | 04SEP2003 | | |
| MATERIAL | | - | | APVD D. KLEIN | 04SEP2003 | | SIZE |
| - | | - | | PRODUCT SPEC | - | | A2 |
| | | | | APPLICATION SPEC | 114-13065 | | CAGE CODE |
| | | | | WEIGHT | - | | 00779 |
| | | | | CUSTOMER DRAWING | | | DRAWING NO |
| | | | | | | | G-776531 |
| | | | | | | | RESTRICTED TO |
| | | | | | | | - |
| | | | | | | | SCALE 3.1 |
| | | | | | | | SHEET OF |
| | | | | | | | REV C1 |