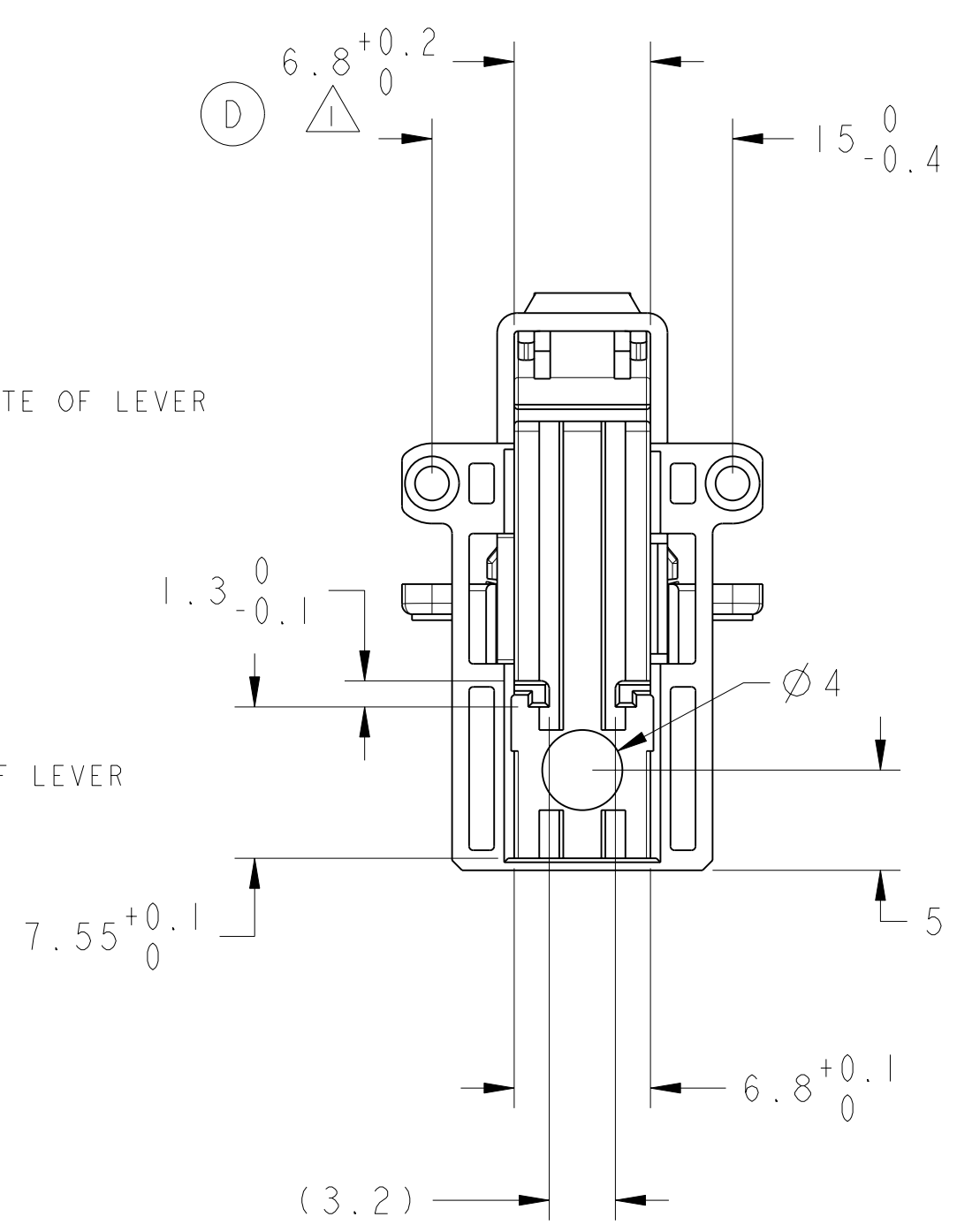
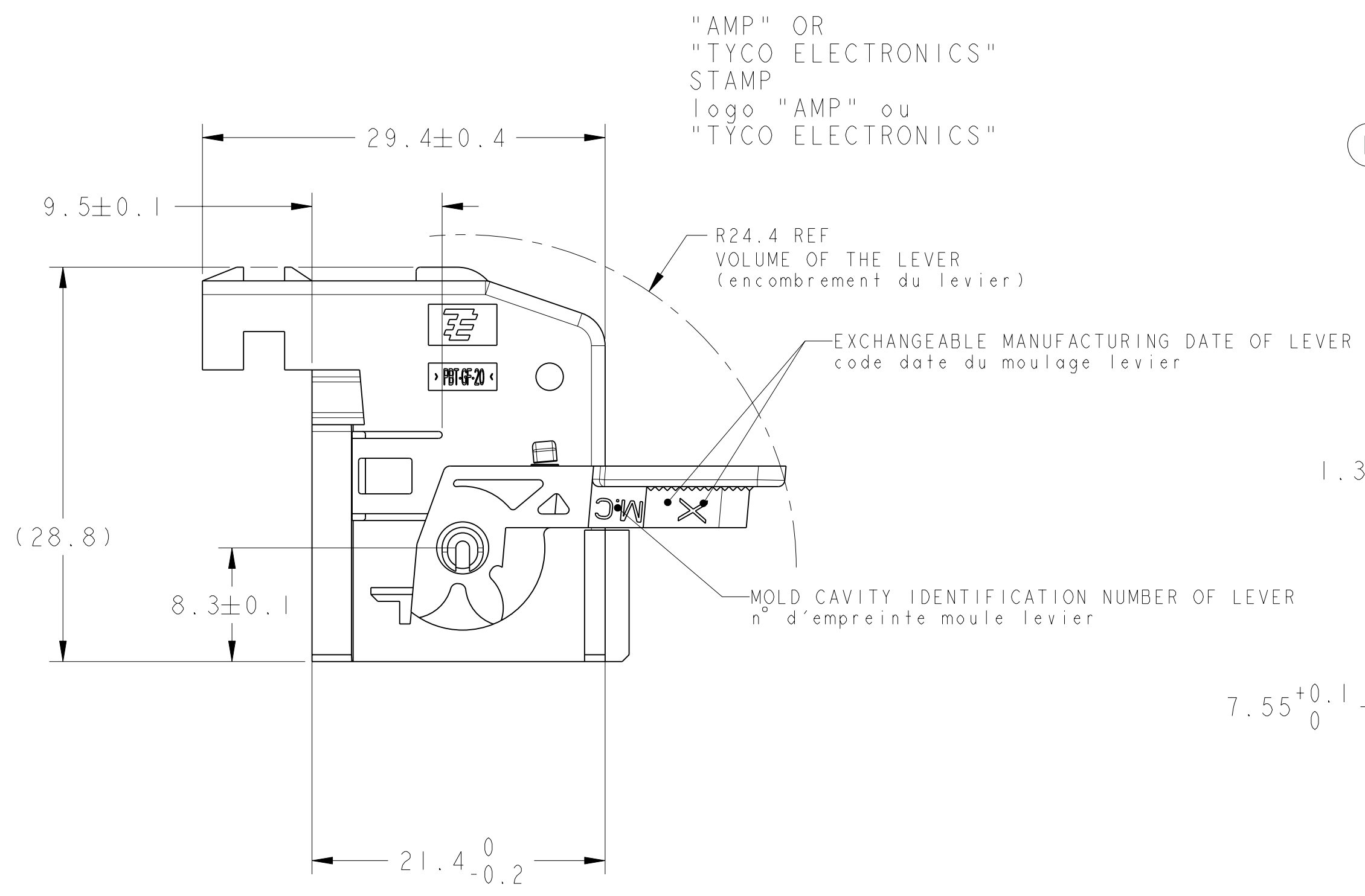
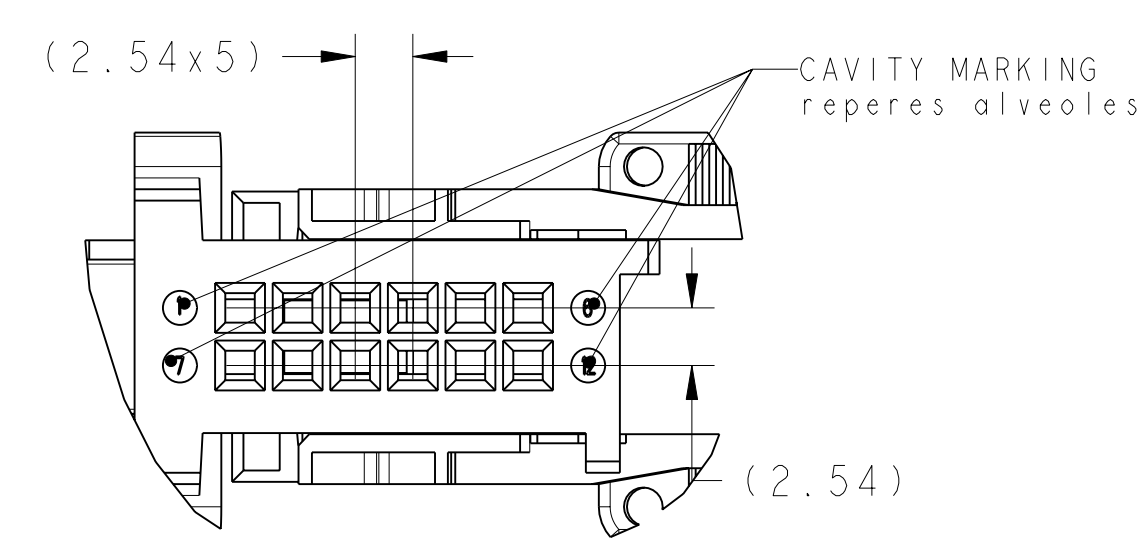
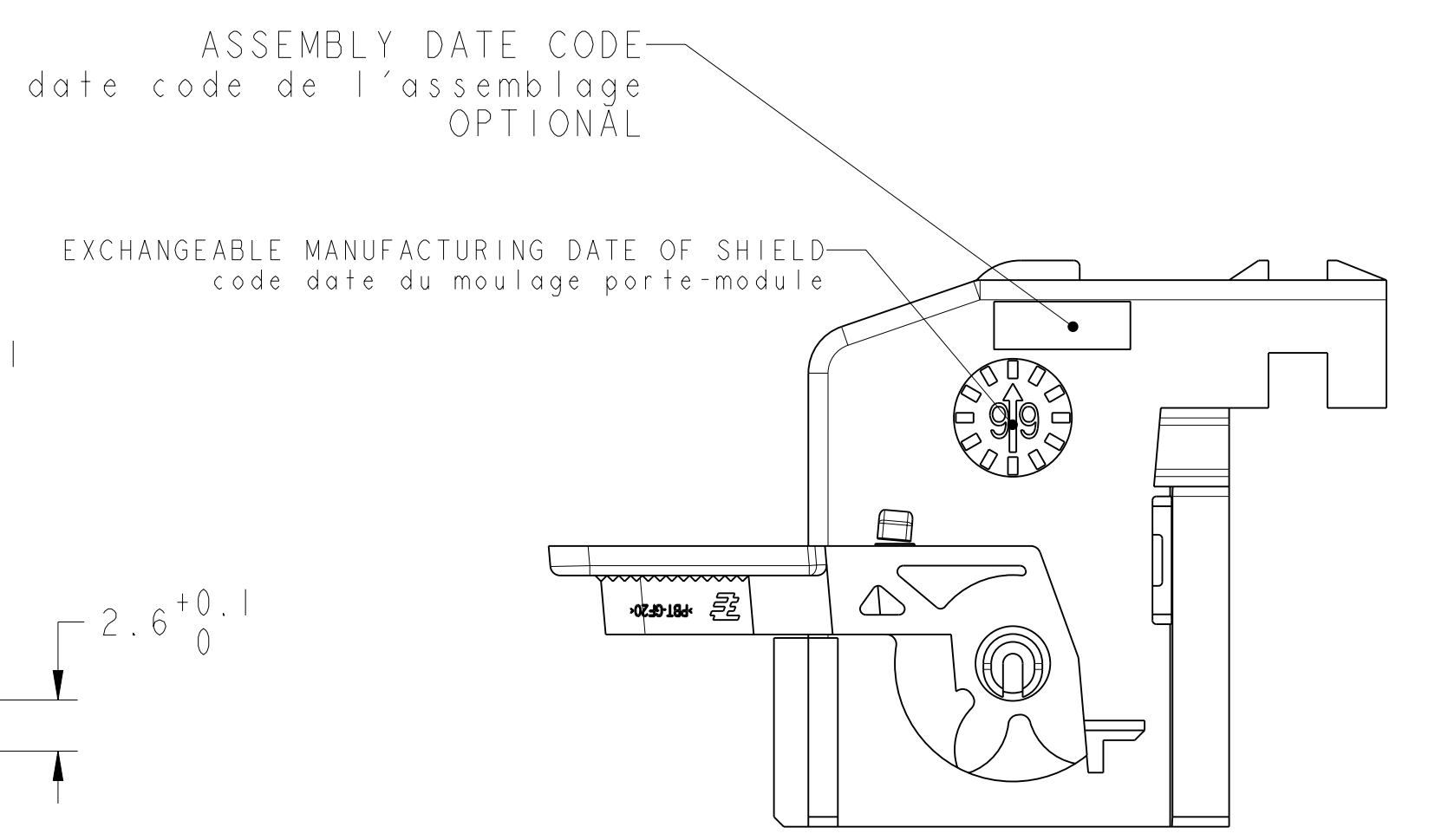
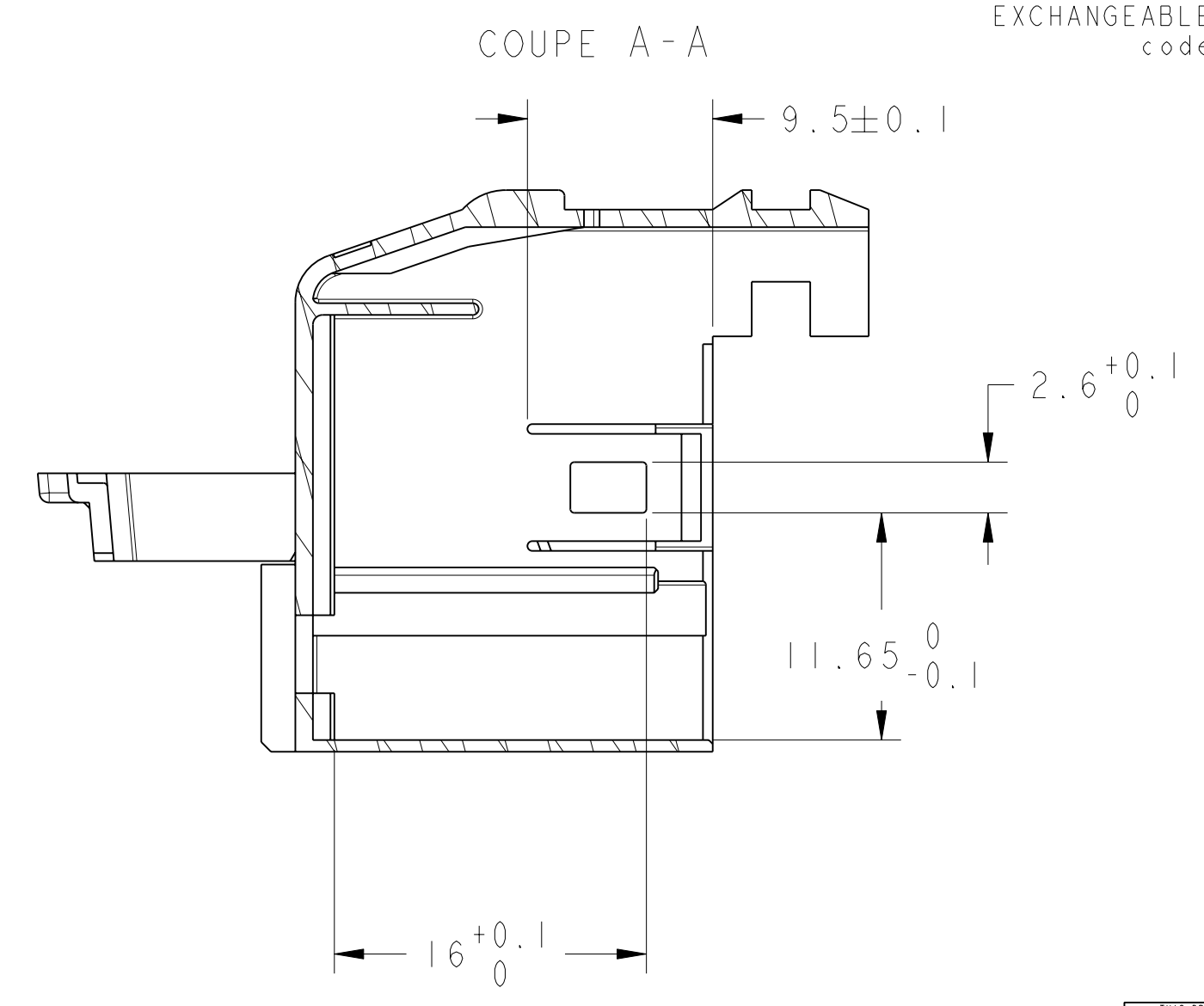
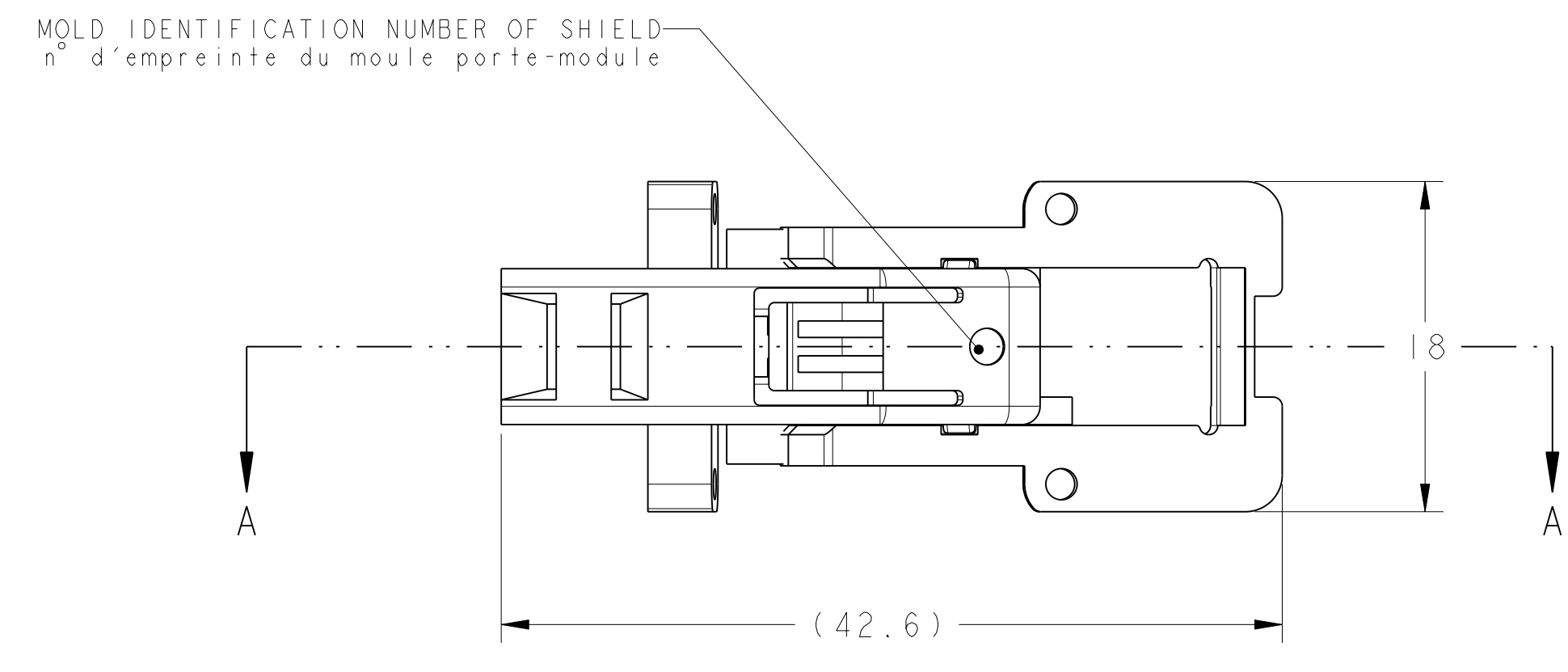


LOC	DIST	REVISIONS						
F	00	P	LTR	REV	DESCRIPTION MODIFICATIONS	DATE	DWN	APP
		A			MODIFICATION DESIGN FOR SHIELD	18APR2001	MP	JL
		B			ADDED PN 1397096-3 AND DIMENSION 9.5±0.1	12AUG2003	MP	XR
		C			ADDED ASSEMBLY DATE CODE	13JUL2007	MP	XR
		D			DIMENSION 6.8 ADDED ON TOP WITH NOTE 1	20AUG2010	EC	XR



DESCRIPTION designation	ITEM rep.	QTTY qte	MATERIAL matiere	TE PN ref TE	COLOR couleur	KEYING detrompage
SHIELD capot	1	1	PBT GF 20% PBT FV 20%	1379096-3	BLACK noir	
LEVER levier	2	1	PBT GF 20% PBT FV 20%	1379096-2	BLACK noir	
SHIELD capot	1	1	PBT GF 20% PBT FV 20%	1379096-2	BLUE bleu	
LEVER levier	2	1	PBT GF 20% PBT FV 20%	1379096-1	BLACK noir	
SHIELD capot	1	1	PBT GF 20% PBT FV 20%	1379096-1	BROWN marron	
LEVER levier	2	1	PBT GF 20% PBT FV 20%	1379096-1	BLACK noir	

Ⓧ ⚠ ALLOWED DEFORMATION 0.3MAX



THIS DRAWING IS UNPUBLISHED. RELEASED FOR PUBLICATION DIFFUSION RESERVE ENT. AMP BY TYCO ELECTRONICS CORPORATION. ALL RIGHTS RESERVED. DIBRE A LA DIFFUSION 1999 TOUS DROITS RESERVES.		DWN/DESSINE M. POLLEONTE 07OCT99 CHK/VERIFIE J. LALANGE 08OCT99 APVO/APPROUVE J. LALANGE 08OCT99		Tyco Electronics TYCO ELECTRONICS France SAS BP 39, 95301 CERGY-POISSONNE Cedex	
DIMENSIONS: mm TOLERANCES UNLESS OTHERWISE SPECIFIED (USU'Y NB. DE DECIMALES): 0 PLC/DEC: ± 1 PLC/DEC: ± 2 PLC/DEC: ±0.2 3 PLC/DEC: ± 4 PLC/DEC: ± ANGLES: ±5°		NAME: SHIELD FOR MOS 12 POS 90 DEG GENE 11 PRODUCT SPEC: 108-15261 APPLICATION SPEC: 411-15565 SPEC. APPLICATION: 411-15565		SIZE: A1 CAGE CODE: 00779 DRAWING NO: 1379096 UNIFORMITY SCALE: 3:1 SHEET OF: 1 OF 1 REV: D	
MATERIAL/MATIERE: SBE TABLE FINISH/FINITION: SBE TABLE		WEIGHT: 3.5g MASSE APPROX: 3.5g		CUSTOMER DRAWING /PLAN CLIENT UNIFORMITY SCALE: 3:1 SHEET OF: 1 OF 1 REV: D	