

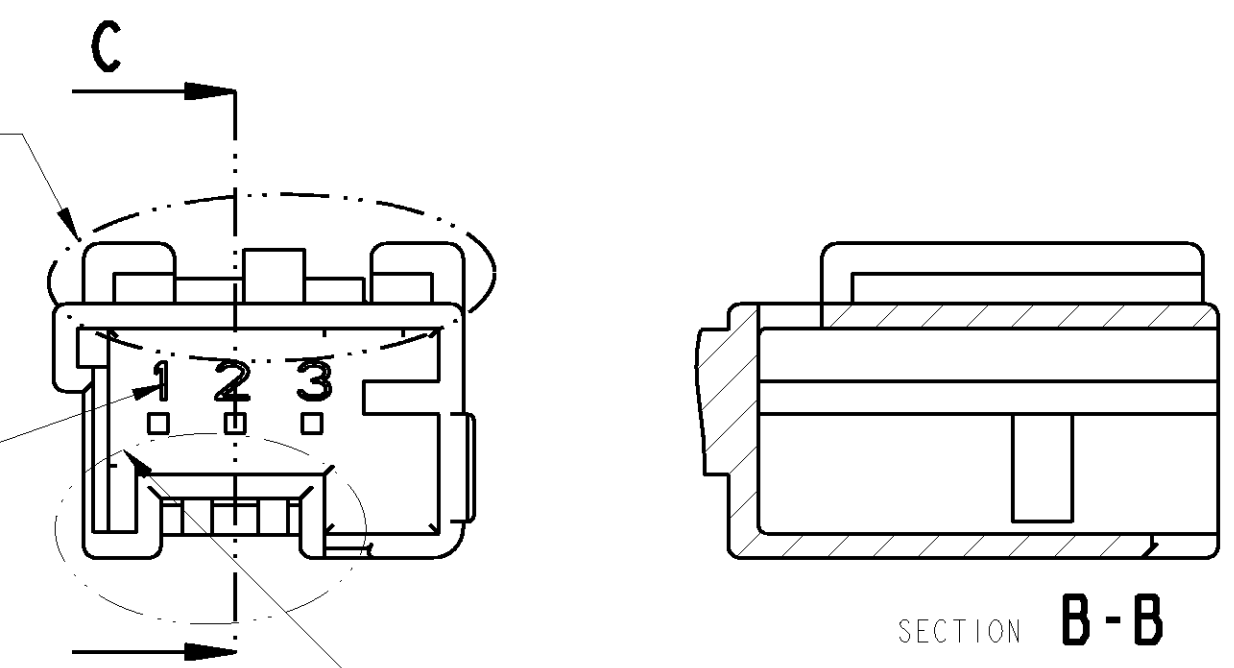
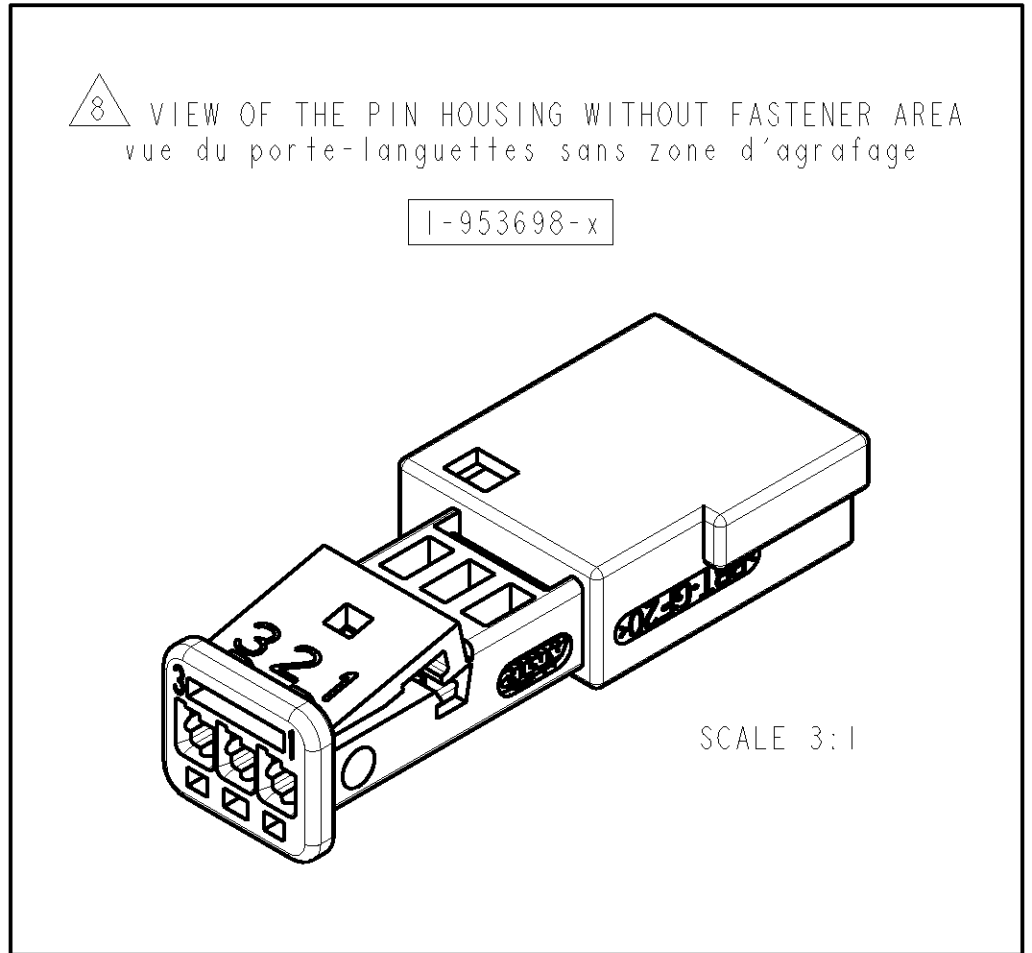
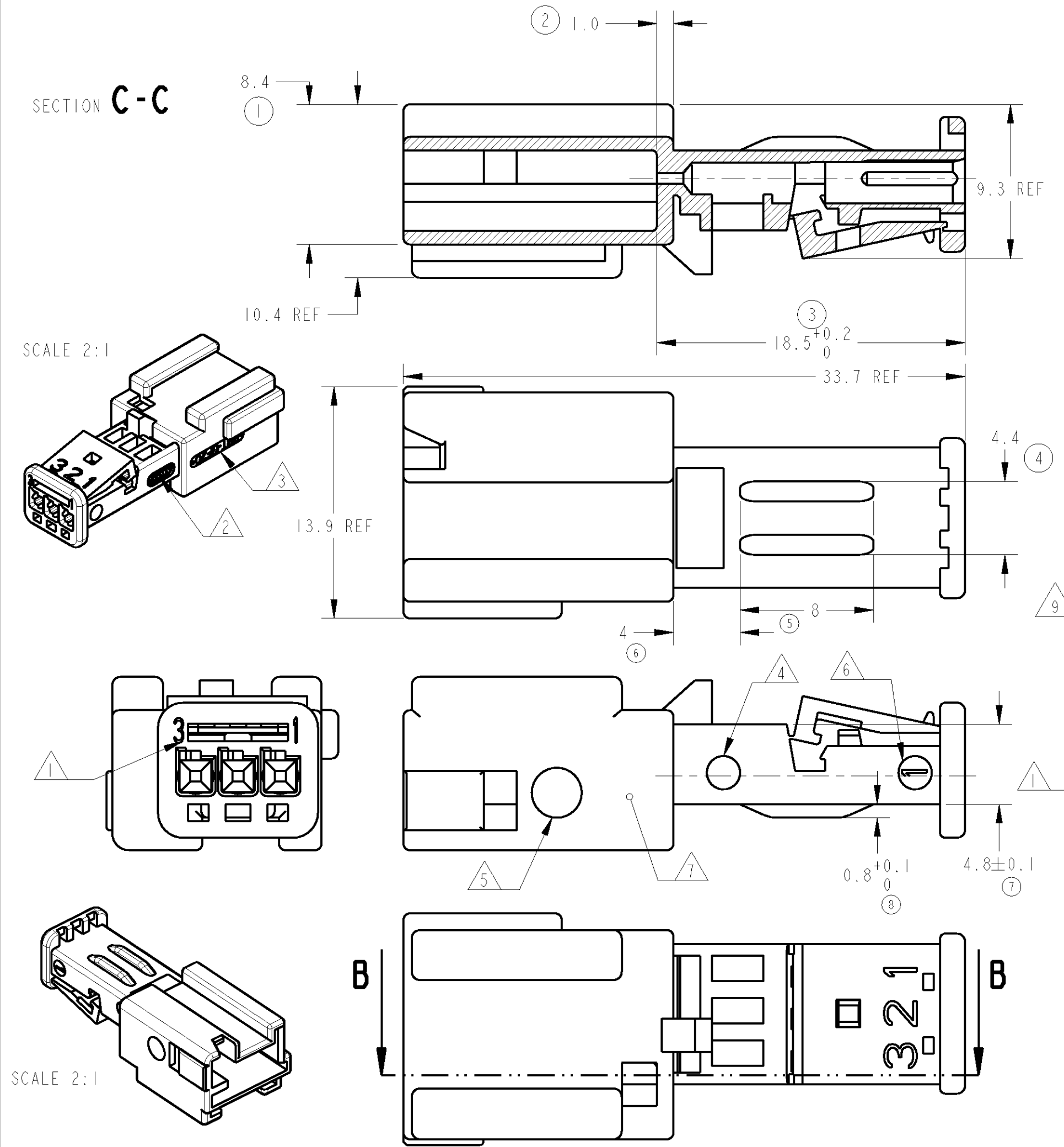
THIS DRAWING IS UNPUBLISHED. DIFFUSION RESTREINTE
 RELEASED FOR PUBLICATION LIBRE A LA DIFFUSION
 2006
 © COPYRIGHT 2006 BY TYCO ELECTRONICS CORPORATION. ALL RIGHTS RESERVED. TOUS DROITS RESERVES

LOC		DIST		REVISIONS			
F	00	P	LTR	DESCRIPTION MODIFICATIONS	DATE	DWN DESS.	APVD APP.

KEYING TABLE (table de detrompage)

COLOR couleur	BLACK noir	WHITE blanc	BLUE bleu	YELLOW jaune	GREY gris	BROWN marron
DETAIL Z ECHELLE 4:1						
TYCO PN (ref TYCO) WITH THE FASTENER AREA	0-953698-1	0-953698-2	0-953698-3	0-953698-4	0-953698-5	0-953698-6
TYCO PN (ref TYCO) WITHOUT THE FASTENER AREA	1-953698-1	1-953698-2	1-953698-3	1-953698-4	1-953698-5	1-953698-6

- ① CAVITY MARKING
reperes alveoles
- ② AMP STAMP OR TYCO STAMP FOLLOWING MOLD
logo AMP ou logo TYCO suivant moule
- ③ MATERIAL IDENTIFICATION
identification matiere
- ④ MOLD IDENTIFICATION OPTIONAL
identification moule optionnel
- ⑤ MOLD REVISION NUMBER OPTIONAL
indice de revision moule optionnel
- ⑥ MOLD CAVITY IDENTIFICATION NUMBER
numero d'empreinte du moule
- ⑦ EXCHANGEABLE MANUFACTURING DATE STD OR YEAR/MONTH
date de fabrication exchangeable std ou annee/mois
- ⑧ REMOVABLE FASTENER AREA
zone d'agrafage kit de conversion



THIS DRAWING IS A CONTROLLED DOCUMENT FOR TYCO ELECTRONICS CORPORATION. IT IS SUBJECT TO CHANGE AND THE CONTROLLING ENGINEERING ORGANIZATION SHOULD BE CONTACTED FOR THE LATEST REVISION. CE PLAN EST UN DOCUMENT CONTROLÉ PAR AMP INCORPORATED. IL EST SUSCEPTIBLE D'ÊTRE REVISÉ. CONTACTER LE SERVICE TECHNIQUE D'AMP DE FRANCE POUR OBTENIR LA DERNIÈRE RÉVISION.		DWN/DESSINE 22MAR2006 M. POLIFONIE	Tyco Electronics France SAS 95300 Pontoise, France	NAME TITRE
DIMENSIONS: mm		CHK/VERIFIE 22MAR2006 X. ROULLARD		3 POS. MQS PIN HOUSING POSITIVE MATE porte-languettes 3 voies MQS avaloir
TOLERANCES UNLESS OTHERWISE SPECIFIED: ±0.2		APVD/APPROUVE 22MAR2006 J. DAHER	PRODUCT SPEC SPEC, PRODUIT 108-15226	SIZE FORMAT A2
MATERIAL/MATIERE PBT-GF20		APPLICATION SPEC SPEC, APPLICATION 411-15626	WEIGHT MASSE APPROX. 1.8g	CAGE CODE 00779
FINISH/FINITION		UNIQUEMENT POUR REFERENCE	SCALE ECHELLE 4:1	DRAWING NO No PLAN C-953698
		CUSTOMER DRAWING /PLAN CLIENT	SHEET FEUILLE	RESTRICTED TO RESERVE A