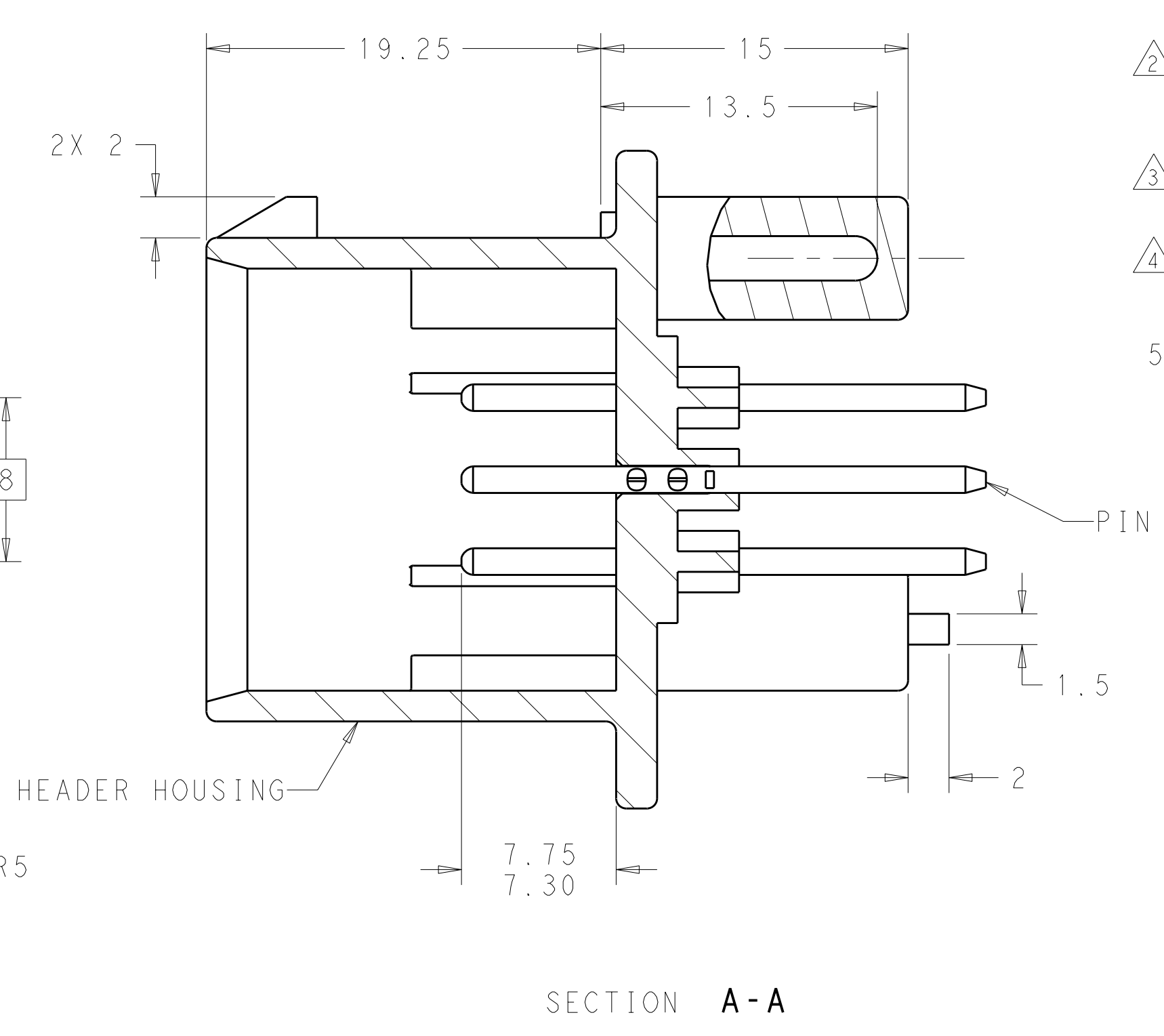
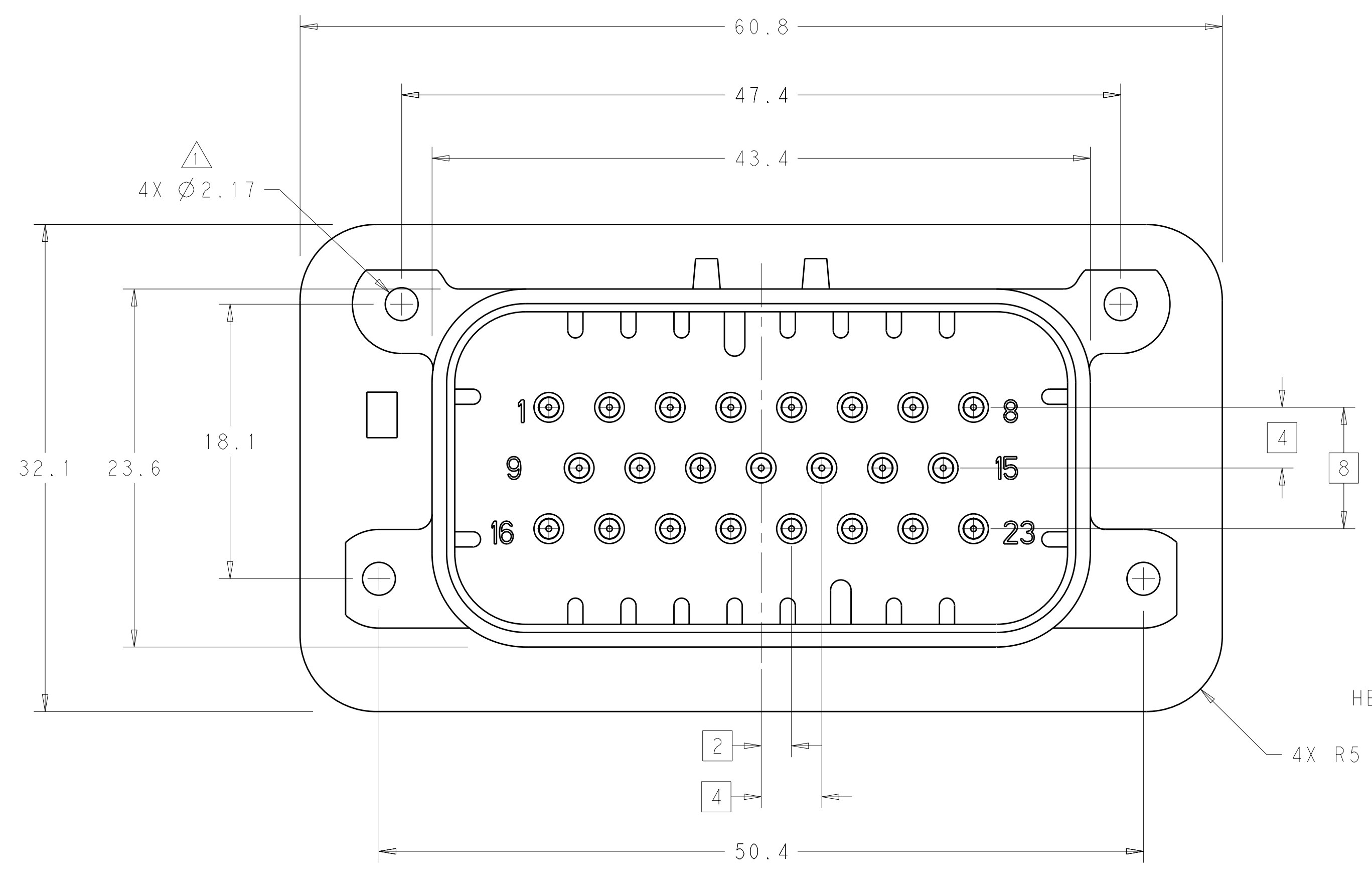
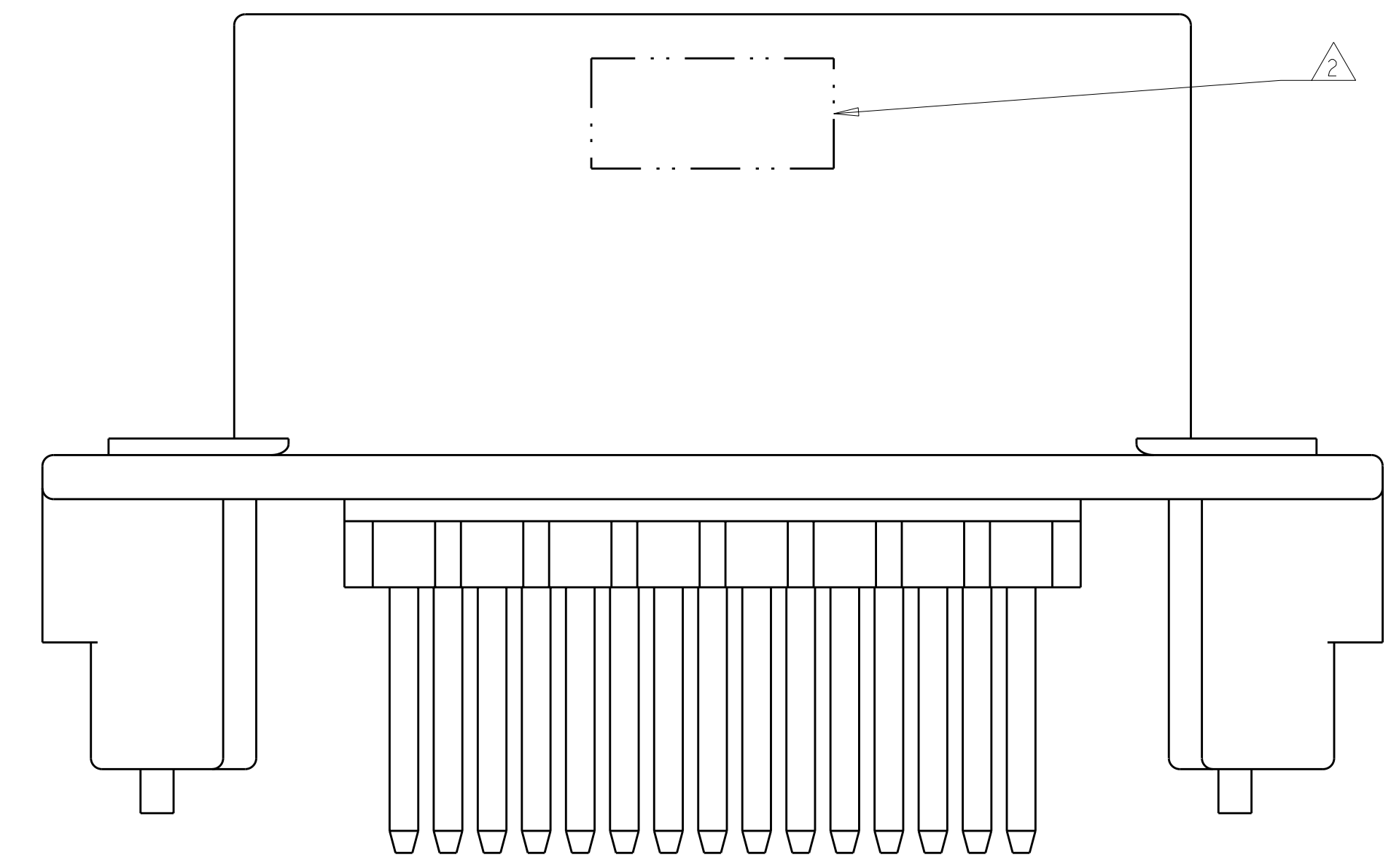


LOC	DIST	REVISIONS			
GE	00	REV	DATE	BY	APPD
		D6	REVISD PER ECO-11-005030	12MAR2011	RK HMR



- 1 ACCEPTS #4 SELF TAPPING THREAD CUTTING SCREWS OR METRIC EQUIVALENT. DRIVE TO 0.6 N-m MAX
- 2 DATE CODE IN THIS LOCATION USING 5 DIGIT CODE FIRST 2 DIGITS = YEAR, SECOND 2 DIGITS = WEEK LAST DIGIT = DAY.
- 3 MATERIALS: HEADER HOUSING - GLASS FILLED PBT
PINS - TIN OR GOLD PLATED BRASS
- 4 HOUSING COLORS ARE MECHANICALLY KEYS TO MATE ONLY WITH IDENTICALLY COLORED PLUG ASSEMBLIES.
- 5. HEADER MATES TO PLUG ASSEMBLY 770680 WHICH USES REELED TERMINAL 770520 OR LOOSE PIECE TERMINAL 770854

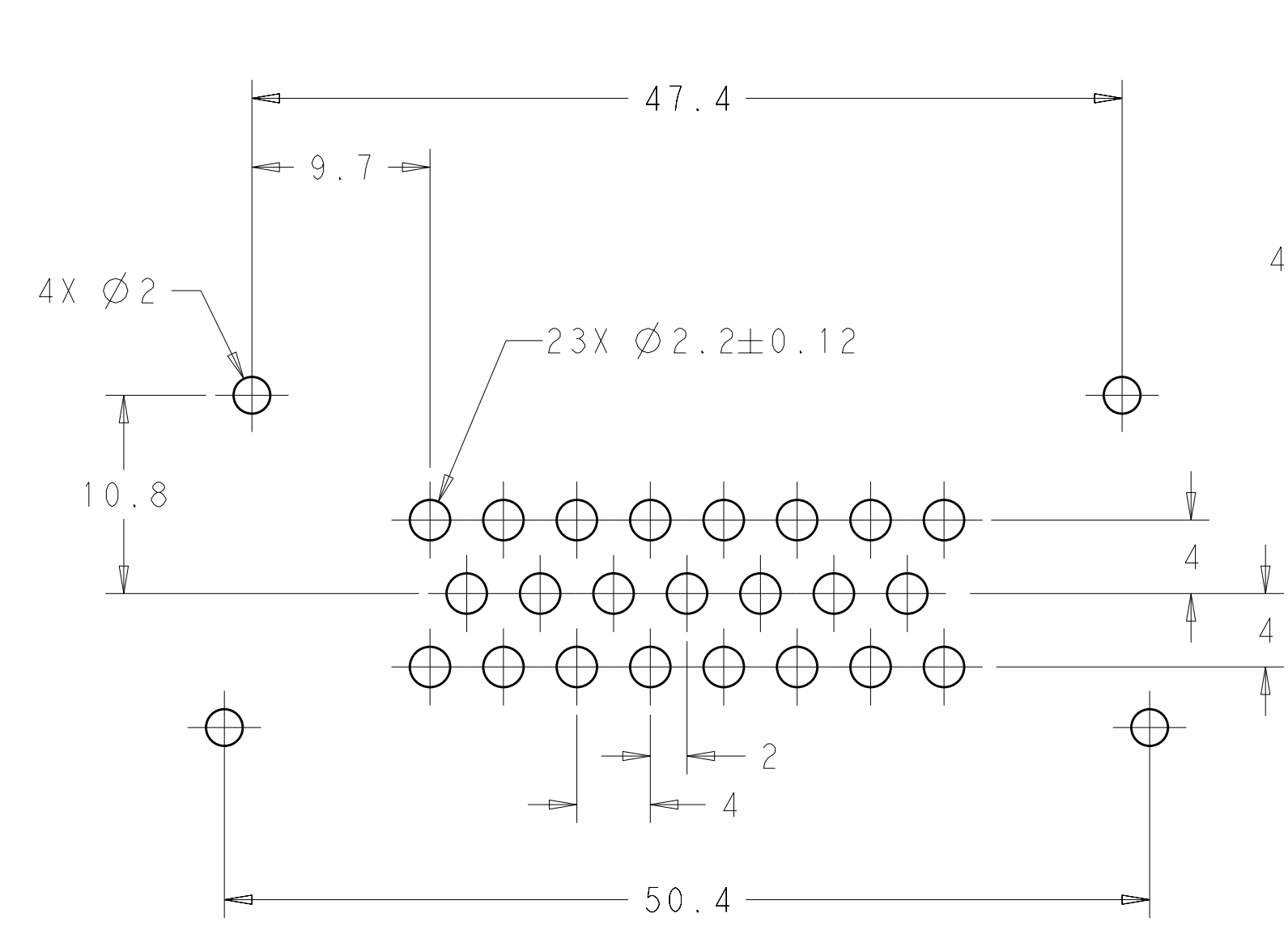


776200-1 & 1-776200-1 SHOWN

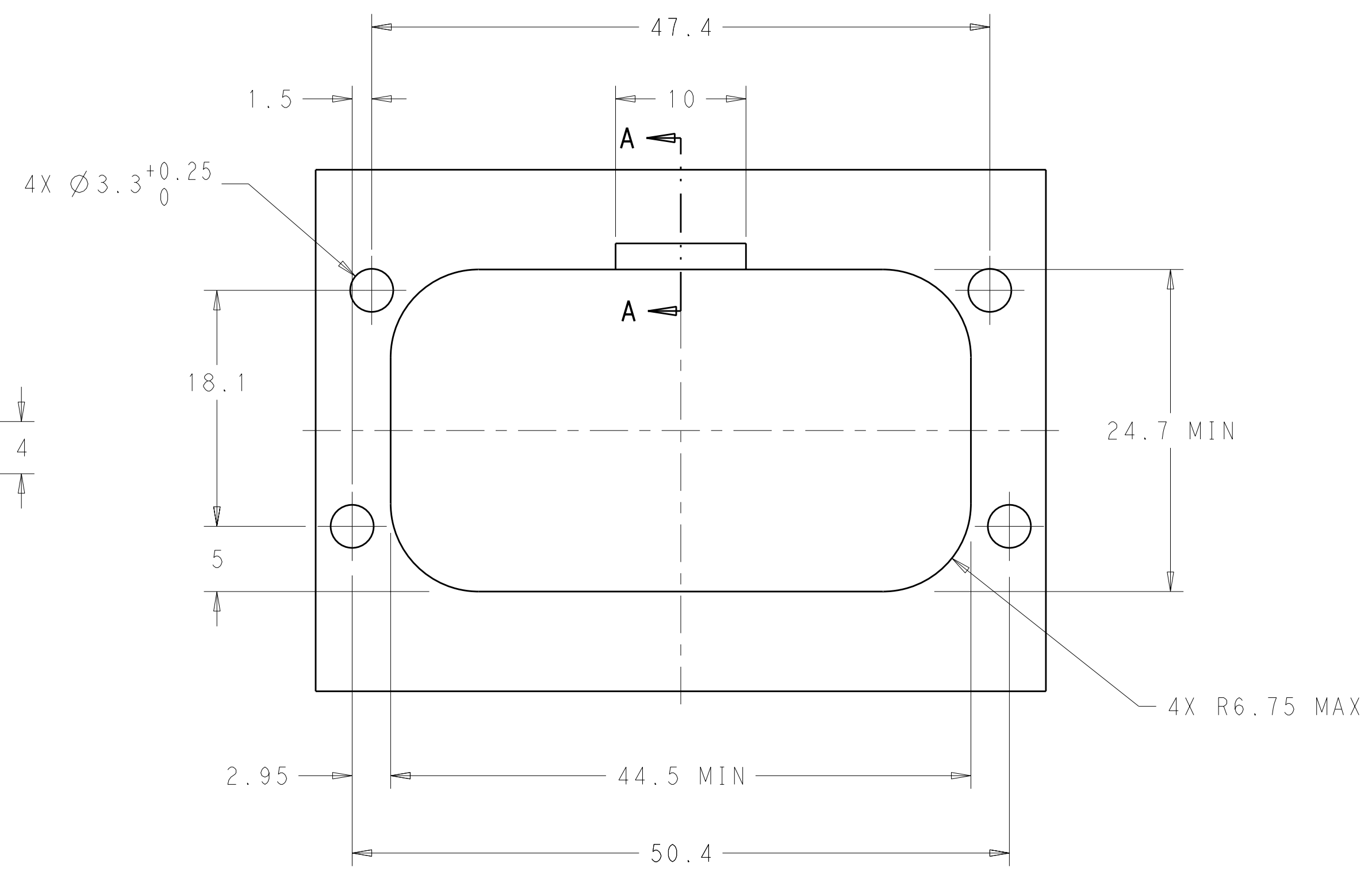
HEADER COLOR	PLATING	PART NUMBER
BLUE	DURAGOLD	1-776200-5
GRAY	DURAGOLD	1-776200-4
NATURAL	DURAGOLD	1-776200-2
BLACK	DURAGOLD	1-776200-1
BLUE	TIN	776200-5
GRAY	TIN	776200-4
NATURAL	TIN	776200-2
BLACK	TIN	776200-1

THIS DRAWING IS A CONTROLLED DOCUMENT.		OWN: D. STRAUSSER 04FEB2010	TE Connectivity ASSEMBLY, HEADER, 23 POSITION, VERTICAL, AMPSEAL
DIMENSIONS: mm		CHK: D. STRAUSSER 22MAR2010	
TOLERANCES UNLESS OTHERWISE SPECIFIED:		APVD: D. STRAUSSER 27APR2010	
9 PLC ± 3 PLC ±0.2 5 PLC ±0.13 4 PLC ± ANGLES ±4°		PRODUCT SPEC: 108-1329 APPLICATION SPEC: 114-16016 WEIGHT: - CUSTOMER DRAWING	
MATERIAL: 3		FINISH: 3	SIZE: A100779 CAGE CODE: C=776200 SCALE: 4:1 SHEET 1 OF 2 REV: D6

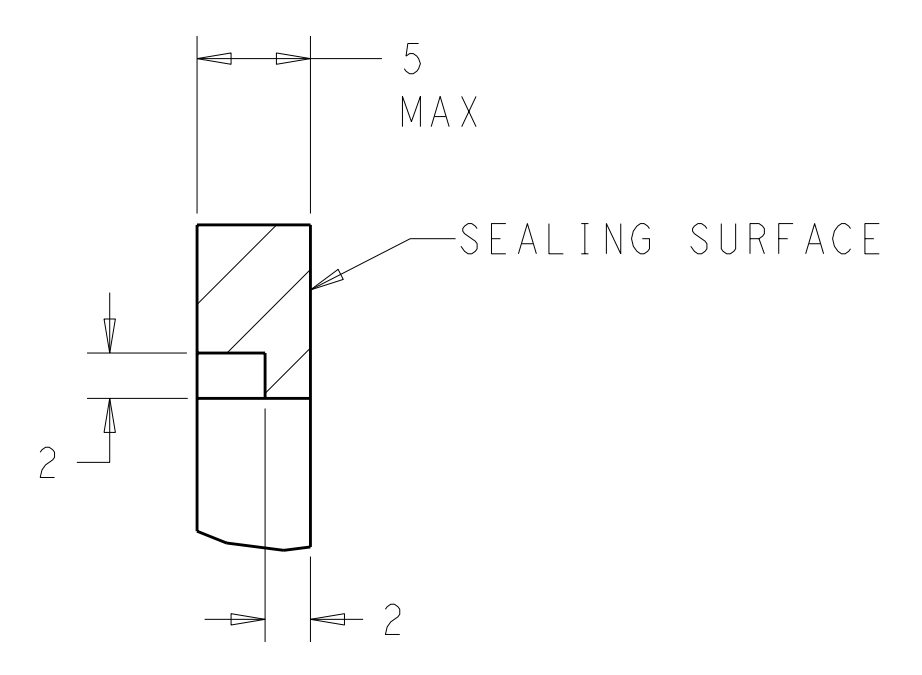
LOC	DIST	REV	DATE	BY	APPROV
GE	00				
DESCRIPTION			DATE	DWN	APVD
SEE SHEET 1					



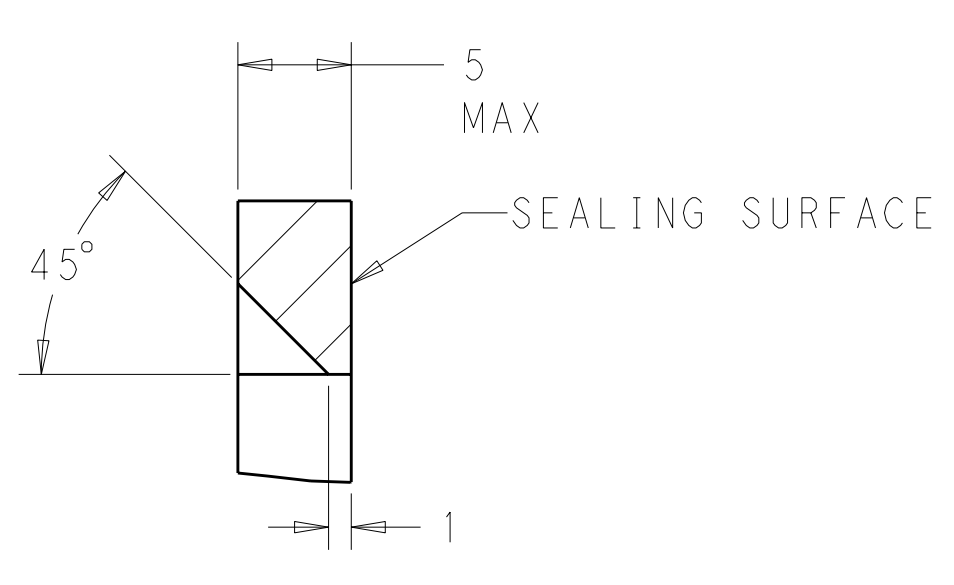
RECOMMENDED P.C. BOARD LAYOUT
 FOR 1.57 THICK P.C. BOARD



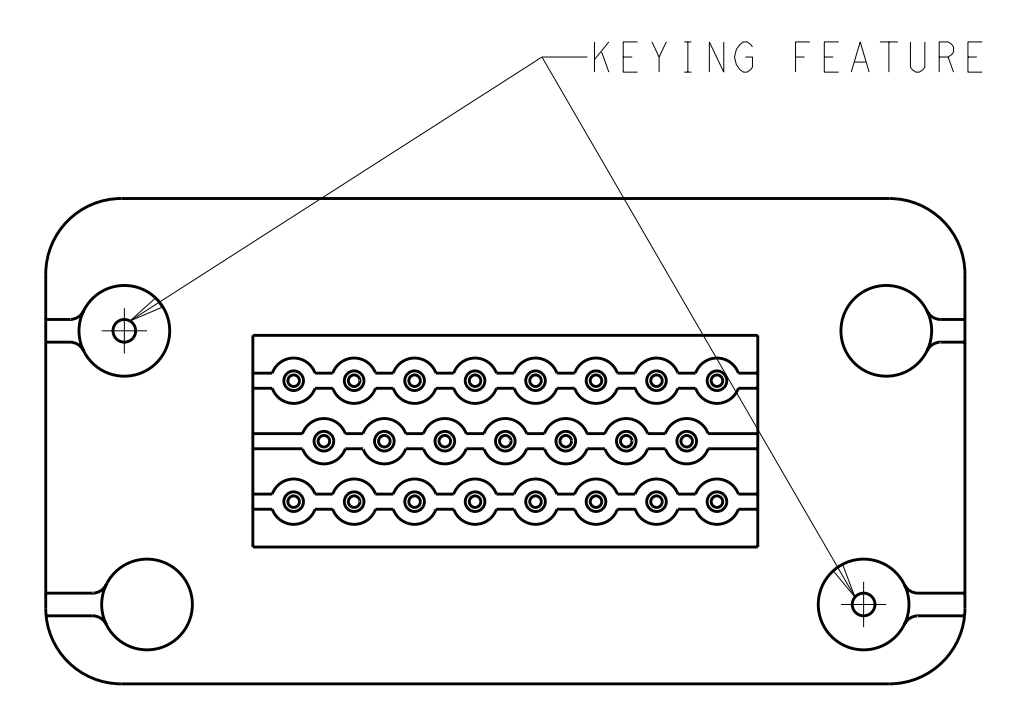
RECOMMENDED MOUNTING HOLE LAYOUT
 FOR 5.0 MAX THICK PANEL



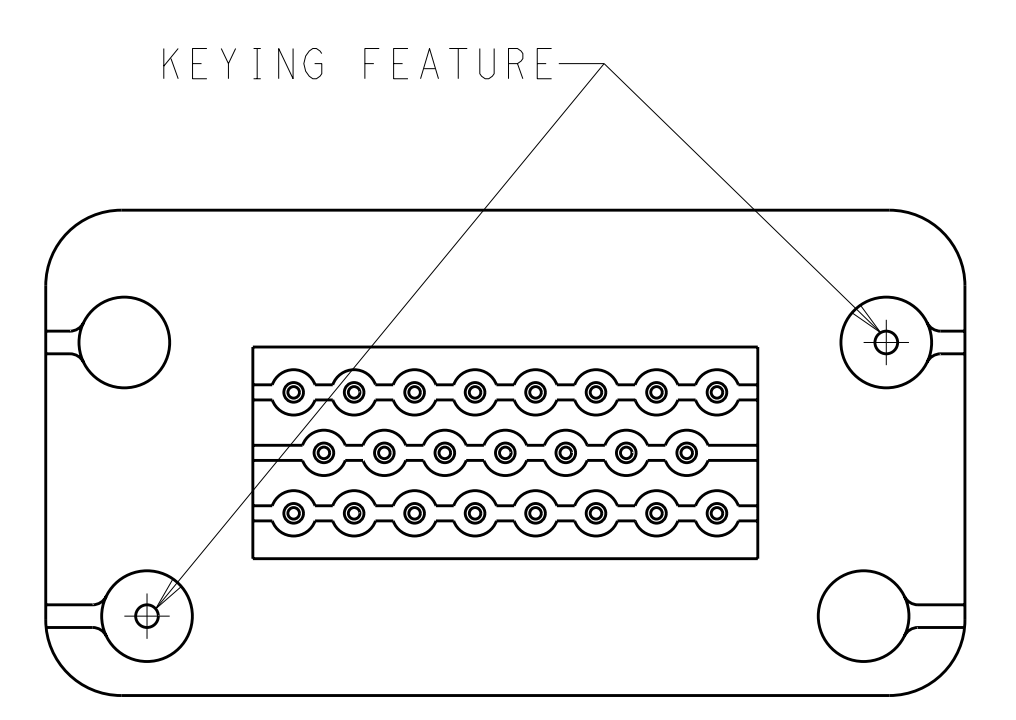
SECTION A-A
 OPTIONAL CONSTRUCTION IF PANEL
 THICKNESS IS GREATER THAN 2.0



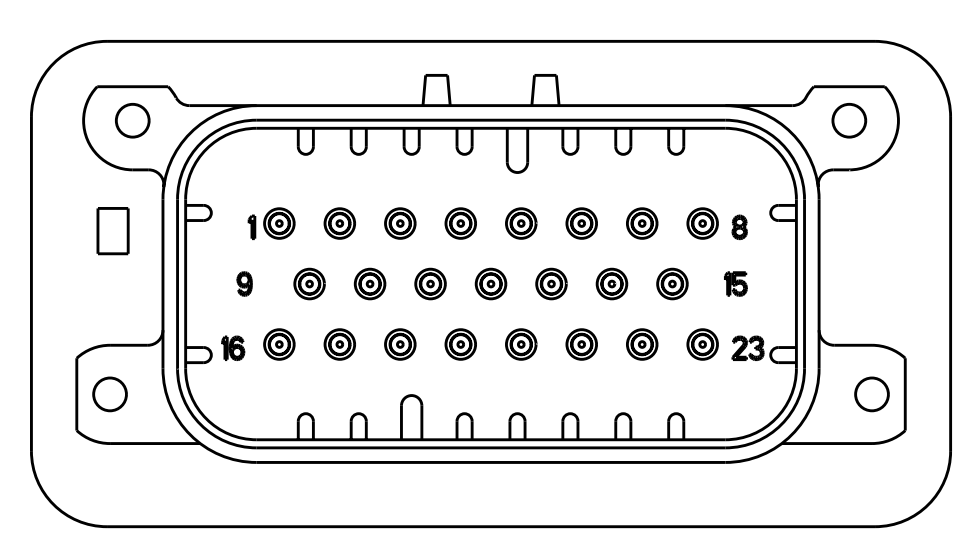
SECTION A-A
 OPTIONAL CONSTRUCTION IF PANEL
 THICKNESS IS GREATER THAN 2.0



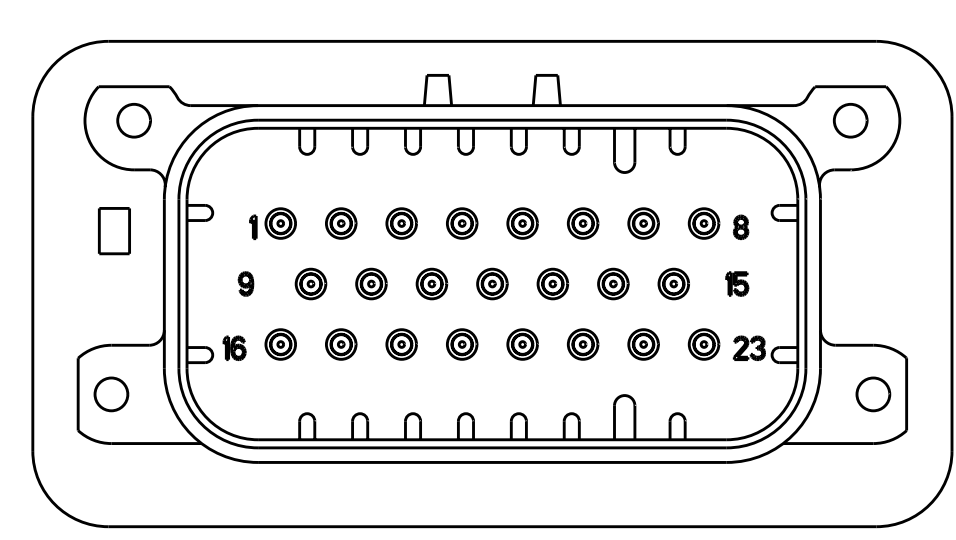
KEYING FOR 776200-1 AND 776200-5
 SCALE 2:1



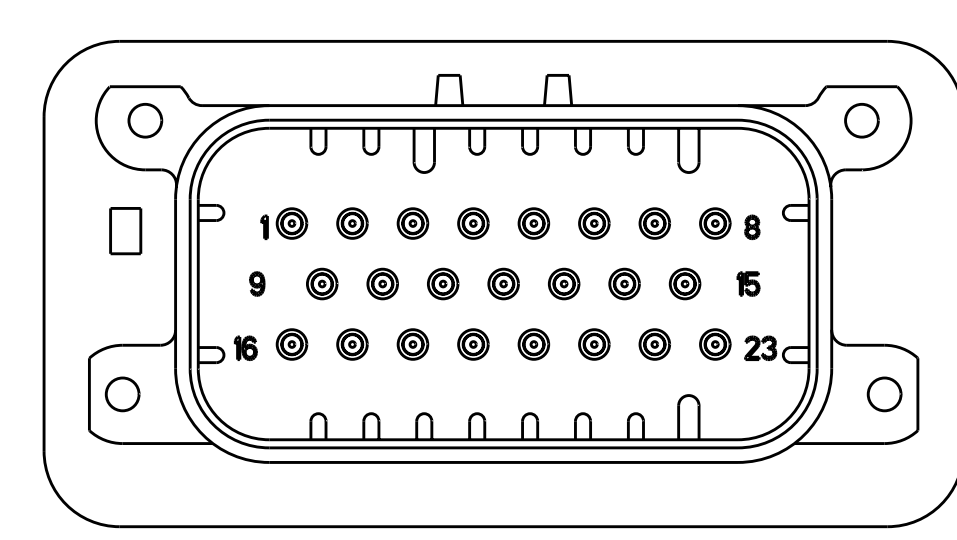
KEYING FOR 776200-2 AND 776200-4
 SCALE 2:1



776200-2 & 1-776200-2
 KEY LOCATION
 SCALE 2:1



776200-4 & 1-776200-4
 KEY LOCATION
 SCALE 2:1



776200-5 & 1-776200-5
 KEY LOCATION
 SCALE 2:1

THIS DRAWING IS A CONTROLLED DOCUMENT.		DWN: 04FEB2010 D. STRAUSSER	TE Connectivity	
DIMENSIONS: mm		CHK: 22MAR2010 D. STRAUSSER	NAME: ASSEMBLY, HEADER, 23 POSITION, VERTICAL, AMPSEAL	
TOLERANCES UNLESS OTHERWISE SPECIFIED:		APVD: 27APR2010 D. STRAUSSER	RESTRICTED TO	
9 PLC ±0.2		PRODUCT SPEC: 108-1329	SIZE: CAGE CODE: DRAWING NO: A1100779	
3 PLC ±0.13		APPLICATION SPEC: 114-16016	SCALE: 4:1 SHEET 2 OF 2	
4 PLC ±0.1		WEIGHT: -	REV: D6	
ANGLES ±4°		FINISH: -	CUSTOMER DRAWING	