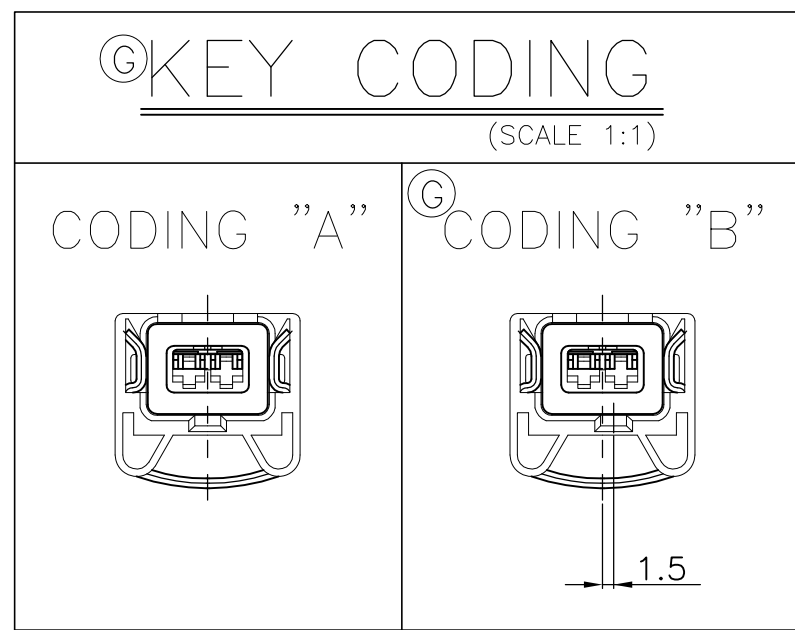
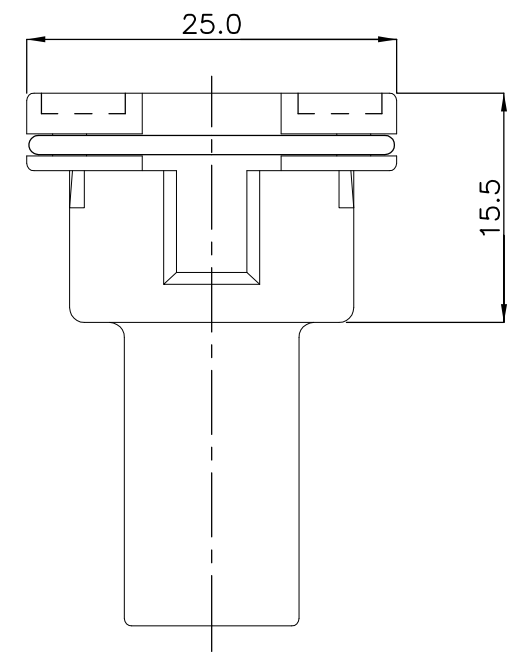
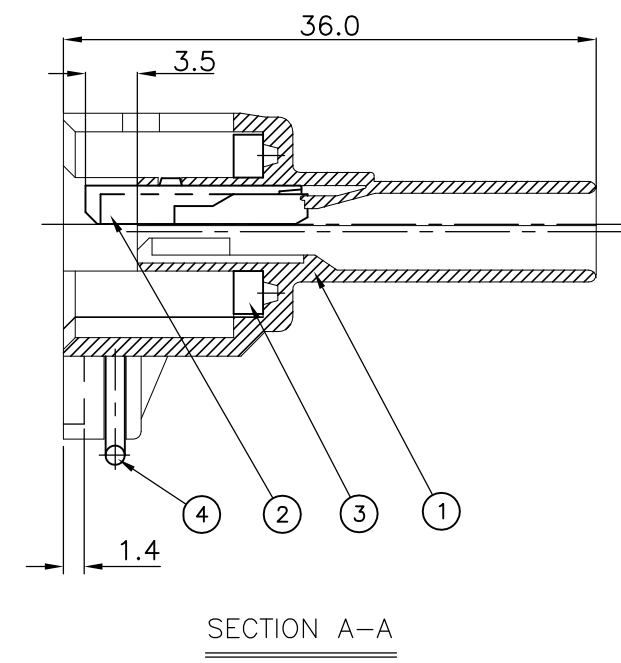
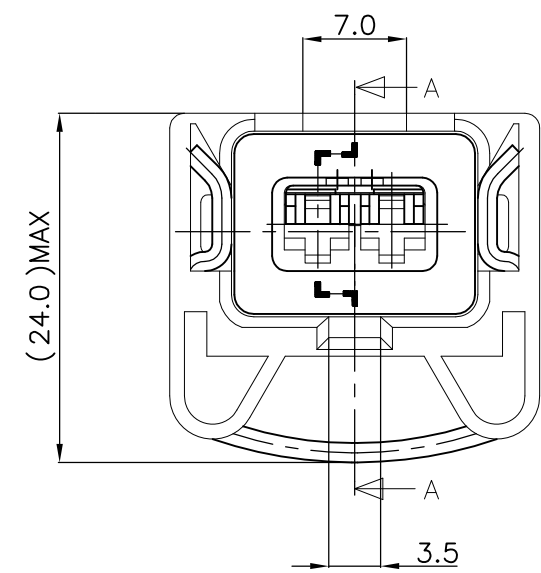



THIS DRAWING IS UNPUBLISHED. RELEASED FOR PUBLICATION 20
 © COPYRIGHT 20 BY - ALL RIGHTS RESERVED.

LOC	DIST	REVISIONS					
		P	LTR	DESCRIPTION	DATE	DWN	APVD
DS	-		E	REVISED(FC00-0044-01)	'01 24/APR	YD	CS
			F	REVISED(FC00-0138-02)	'02 22/NOV	YD	CS
			G	REVISED(ECR-10-020219)	13.MAY'11	IS	HG



- * NOTES *
1. APPLICABLE CONTACT P/NO: 927770 / 927766
 2. APPLICABLE WIRE SEAL P/NO: 828904 / 828905 / 368064

NO	COLOR	MATERIAL	DESCRIPTION	QTY						
				1-85202-3	85202-5	85202-4	85202-3	85202-2	85202-1	REV CODE
4		SUS 304	SPRING	1	1	1	1	1	1	
3	ORANGE	SILICONE	SEAL RUBBER	1	1	1	1	1	1	
2	YELLOW	PBT	SPACER	1	1	1	1	1	1	
1	DARK GRAY	PBT-GF30	JPT 2P HSG DG "B"	1						
1	DARK GRAY	PBT-GF30	JPT 2P HSG DG		1					
1	BROWN	PBT-GF30	JPT 2P HSG BR			1				
1	GREEN	PBT-GF30	JPT 2P HSG GR				1			
1	BLUE	PBT-GF30	JPT 2P HSG BL					1		
1	BLACK	PBT-GF30	JPT 2P HSG BK						1	

THIS DRAWING IS A CONTROLLED DOCUMENT.		DWN IS WOO	 TE Connectivity			
DIMENSIONS: mm		CHK KT LIM				
TOLERANCES UNLESS OTHERWISE SPECIFIED: 0<XX<10 ± 0.2 10<XX<30 ± 0.25 30<XX<100 ± 0.3 ANGLES ± 3°		APVD HG CHO	NAME JPT 2P HSG ASS'Y (STANDARD)			
MATERIAL - FINISH -		PRODUCT SPEC 108-61000	SIZE	CAGE CODE	DRAWING NO	RESTRICTED TO
		APPLICATION SPEC 114-18018	A3	00779	C=85202	-
		WEIGHT 4.70g	CUSTOMER DRAWING		SCALE 2:1	SHEET 1 OF 1 REV G