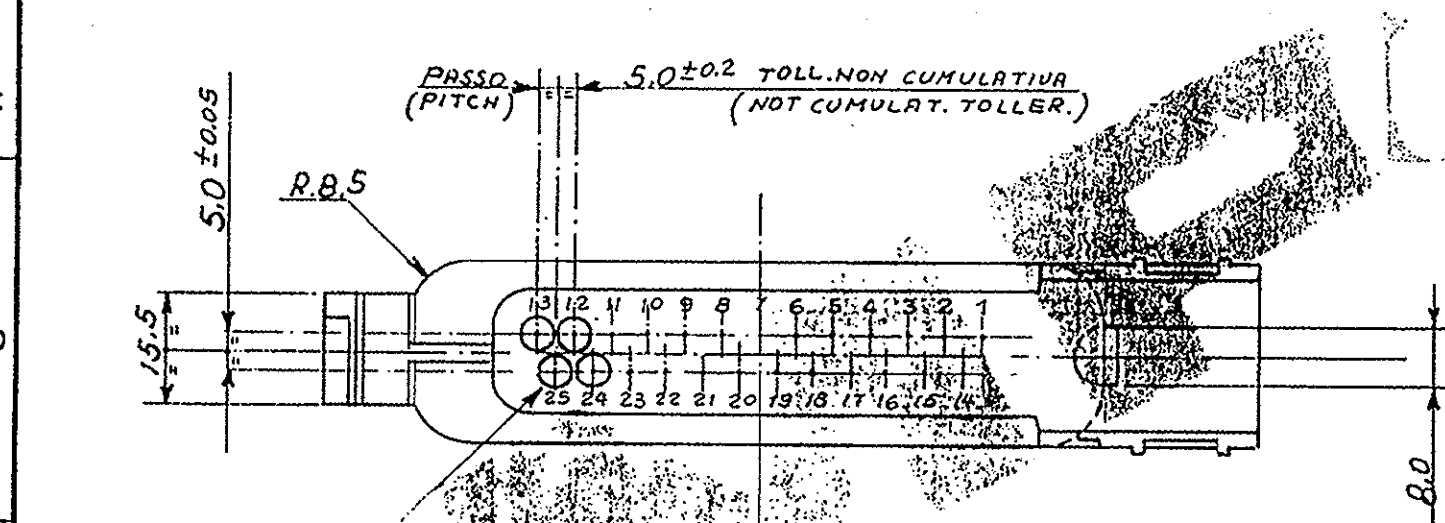
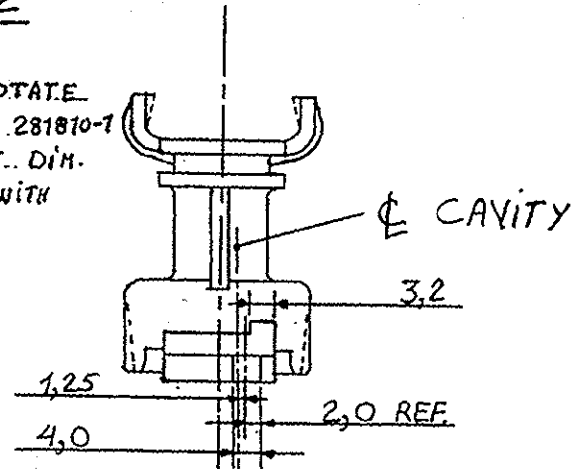


GUARNIZIONE PRE ASSEMBLATA (PRE ASSEMBLED SEALING)



281810-2

PARTI NON QUOTATE IN COMUNE CON 281810-1 (PARTS WITHOUT DIM. ARE COMMON WITH 281810-1)



NERO (BLACK)	PA.CARIC. (G.F. PA 66)	281810-2
NERO (BLACK)	PA.CARIC. (G.F. PA 66)	281810-1
FINITURA / COLORE (FINISH / COLOUR)	MATERIALE (MATERIAL)	NUMERO (PART NUMBER)

CUSTOMER DWG. FOR REFERENCE ONLY **DISEGNO PER CLIENTE SOLO PER RIFERIMENTO**

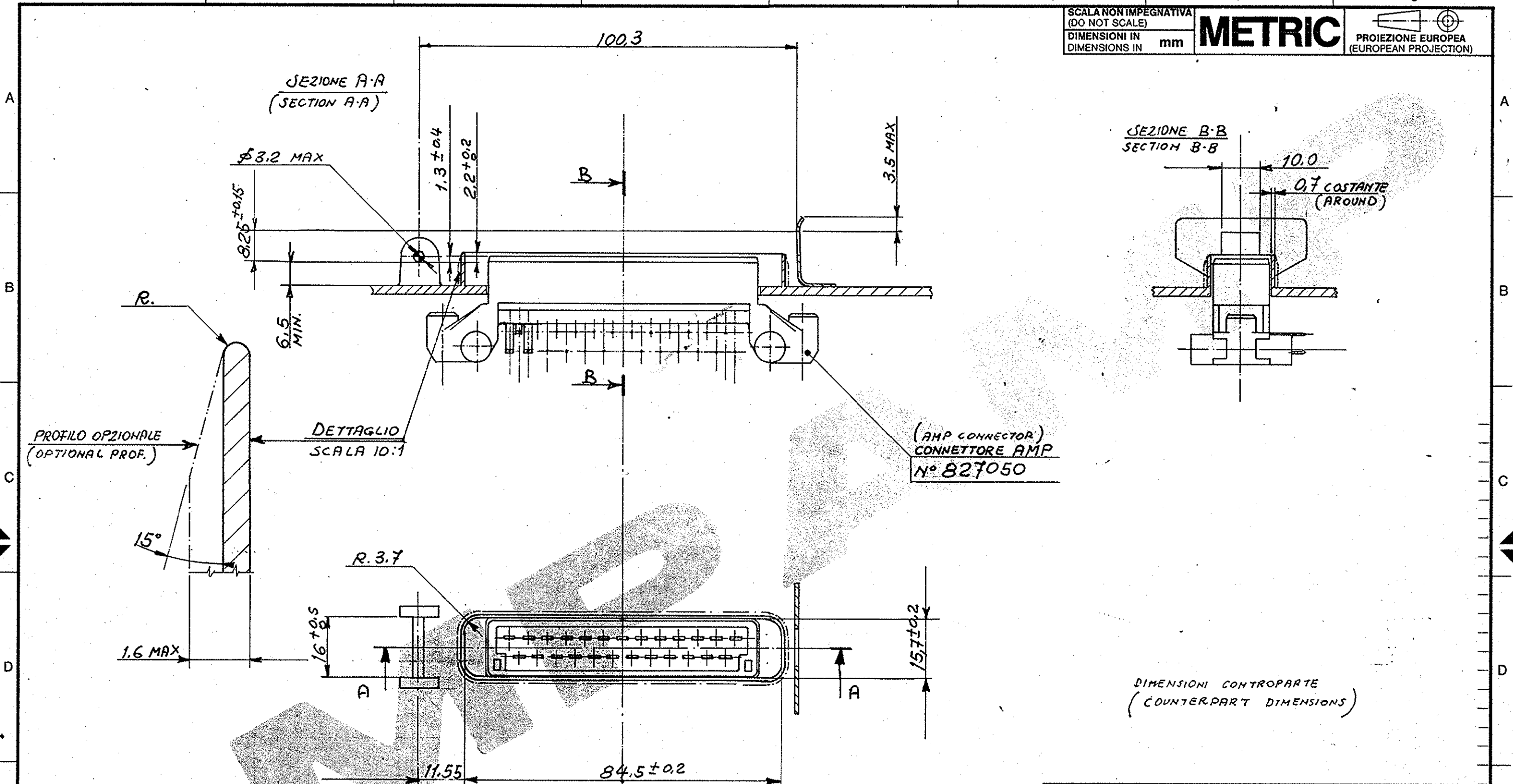
REV.	REVISIONI (REVISION RECORD)	DATA (DATE)
6	REVISIONATO	22/07/86
5	REVISIONATO	22/07/86
4	REVISIONATO	13/07/86
3	Aggiorn. foglio 2	14/07/86
2	N° DIS. ERA IA-86-5005	17/07/86
1	REVISIONATO E RIDISEGN.	17/07/86

THIS DRAWING IS UNPUBLISHED
 5 COPYRIGHT IS RESERVED AMP PRODUCTS MAY BE COVERED BY U.S. AND FOREIGN PATENT AND/OR PATENT PENDING
 TOLLERANZE: SE NON DIVERSAMENTE SPECIFICATO (TOLERANCES UNLESS OTHERWISE SPECIFIED)
 DIAM. ISOLANTE (INS. DIA. RANGE) ± 0.3
 RANGO FILO (WIRE RANGE)
 SCALA (SCALE) 1:1

CAVITÀ ADATTA PER CONTATTI JUNIOR TIMER 281822-281823 (CAVITY SUITABLE FOR CONTACTS JUNIOR TIMER AND/OR J.P.T.)
 182730 - 182732 - 182731

CON GUARNIZIONI WITH RUBBER SEALS)

AMP AMP ITALIA S.p.A. Corso F.lli Cervi, 16 COLLEGNO (TORINO)
 DESCRIZIONE (DESCRIPTION) 25 POS. SPLASH PROOF
 CONN. FOR JUNIOR TIMER C.-90° VERSION
 LOC. SIZE NUMERO (Dwg No) REV. FOLGIO (SHEET) OF 2
IA3 C-281810 D 1 OF 2



DIMENSIONI CONTROPARTE
 (COUNTERPART DIMENSIONS)

FINITURA / COLORE (FINISH / COLOUR)	MATERIALE (MATERIAL)	NUMERO (PART NUMBER)
CUSTOMER DWG. FOR REFERENCE ONLY		DISEGNO PER CLIENTE SOLO PER RIFERIMENTO
THIS DRAWING IS UNPUBLISHED		RELEASE FOR PUBLICATION 19
© COPYRIGHT 19 BY AMP INCORPORATED, HARRISBURG, PA ALL INTERNATIONAL RIGHT RESERVED AMP PRODUCTS MAY BE COVERED BY U.S. AND FOREIGN PATENT AND/OR PATENT PENDING		
TOLLERANZE: SE NON DIVERSAMENTE SPECIFICATO (TOLERANCES UNLESS OTHERWISE SPECIFIED)	DIAM. ISOLANTE (INS. DIA. RANGE)	RANGO FILO (WIRE RANGE)
± 0,3	1"	1:1
ANGOLI (ANGLES) ± 2°	AMP AMP ITALIA S.p.A. Corso F.lli Cervi, 15 COLLEGNO (TORINO)	
DIS. (DR.)	DESCRIZIONE (DESCRIPTION) 25 POS. SPLASH PROOF (WITH OPT. SEAL)	
CONT. (CHK.)	CONN. FOR JUNIOR TIMERC. 90° VERSION	
3 8.25 ± 0.15 era 8.25 ± 0.1	LOC. SIZE	NUMERO (DWG NO)
REV. (APP.)	IA3	C-281810
REVISIONI (REVISION RECORD)	DIS. DATA (DR) (DATE)	REV. FOGLIO (SHEET) 2 DI 2 (OF)

DISTRIBUZIONE
(PRINT DIST.)