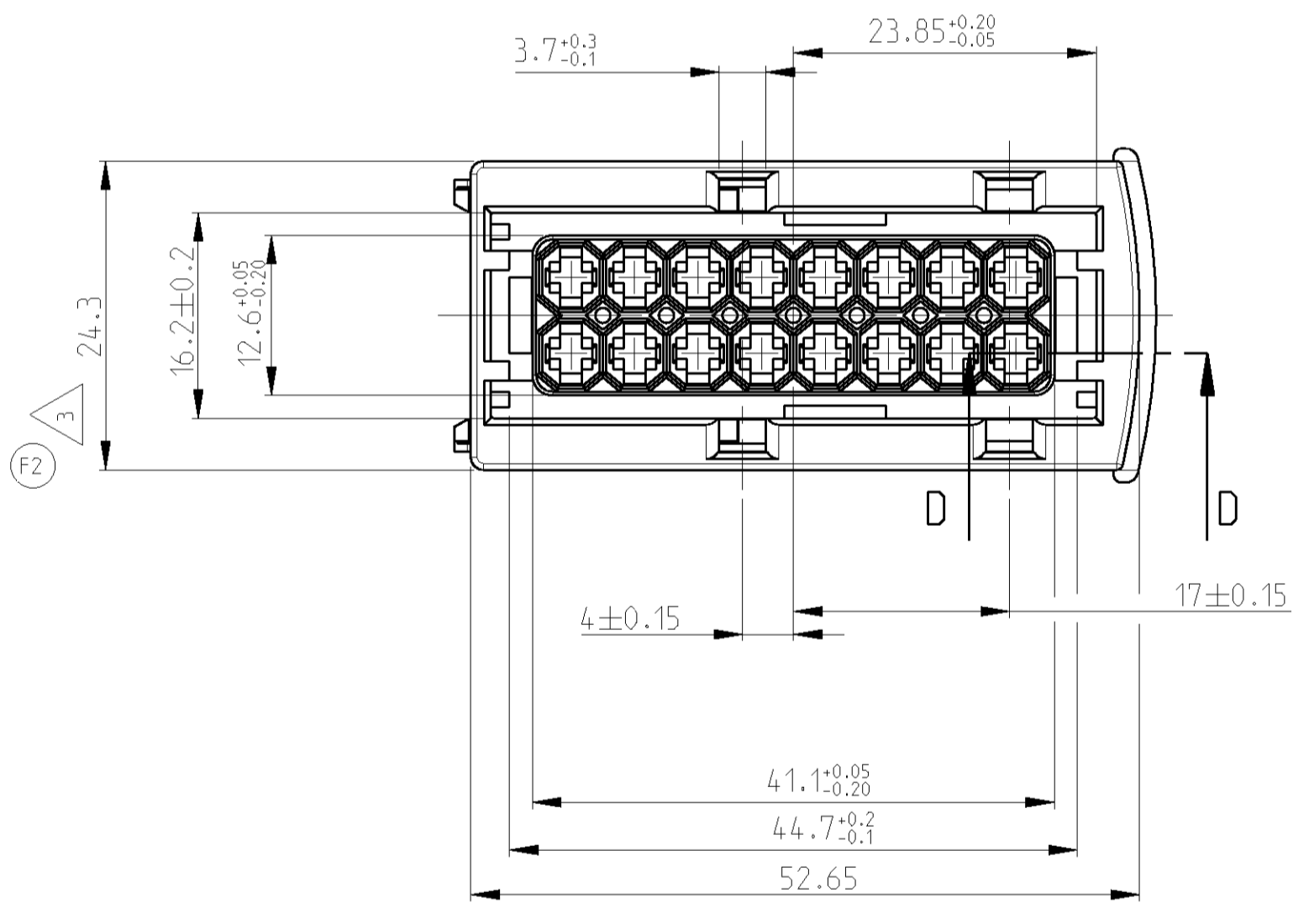
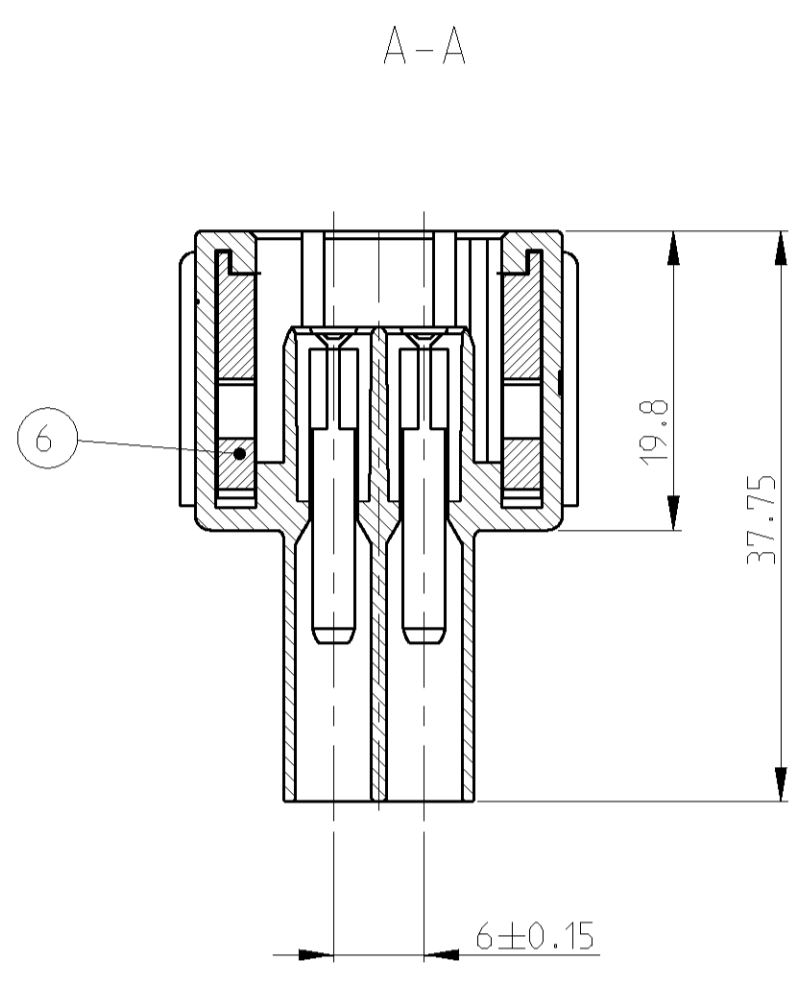
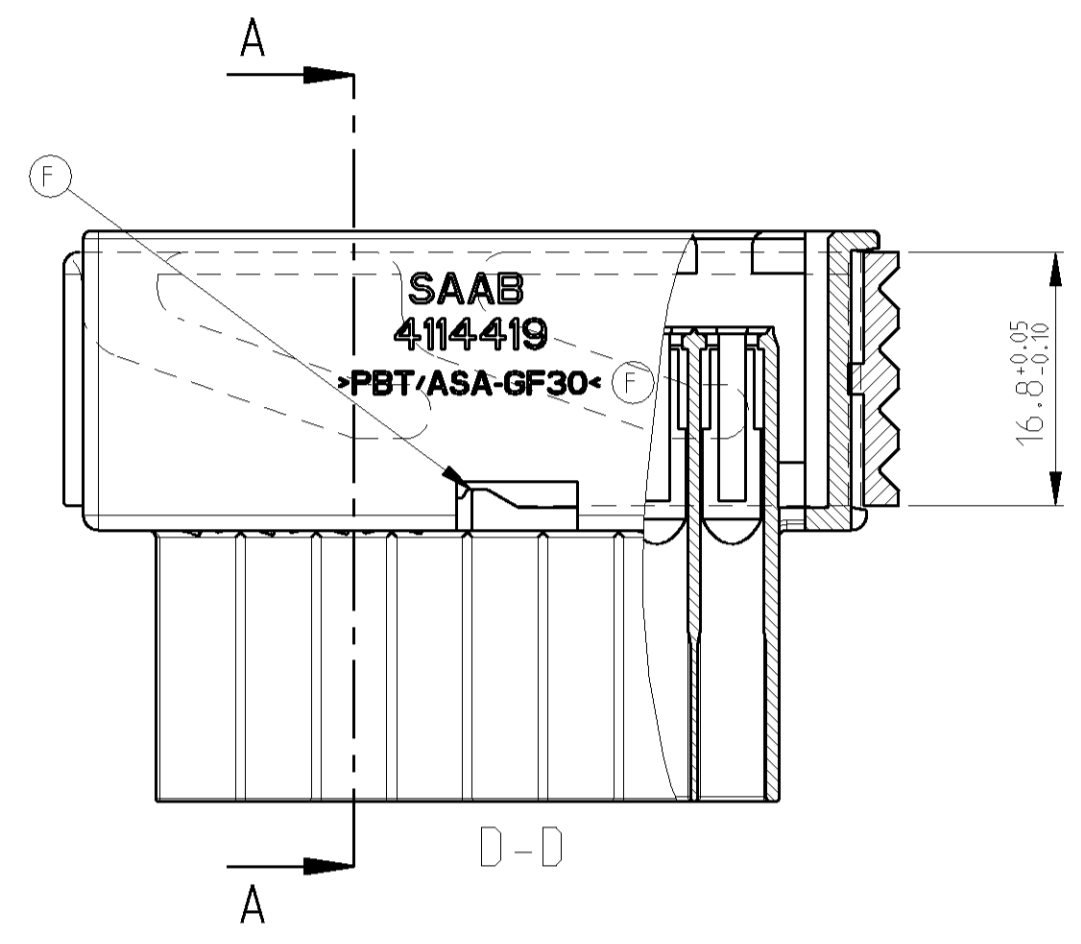
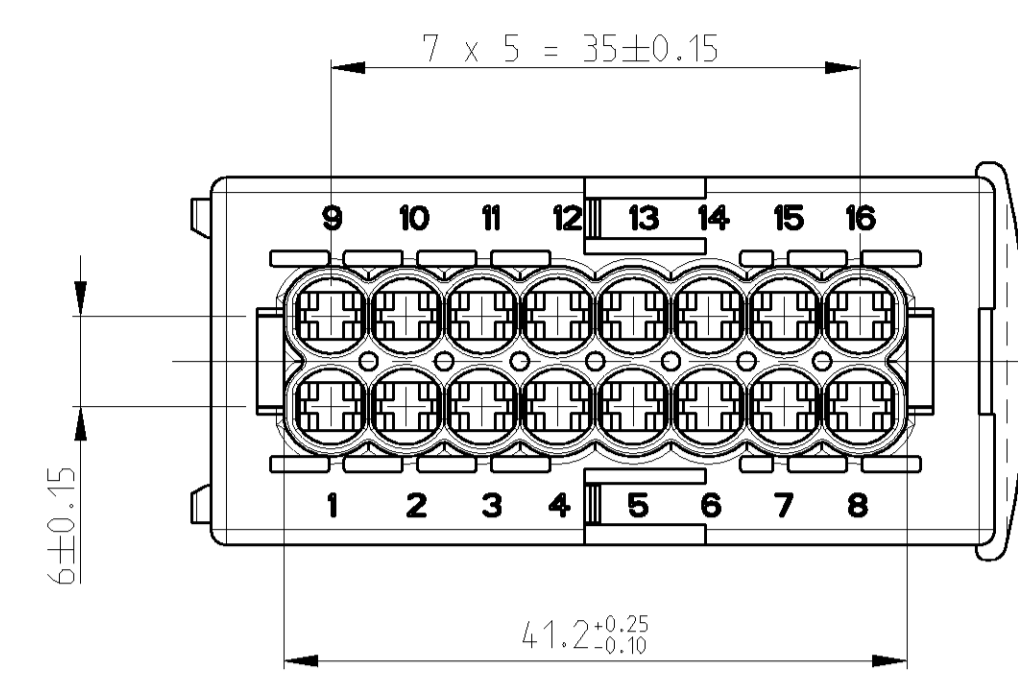


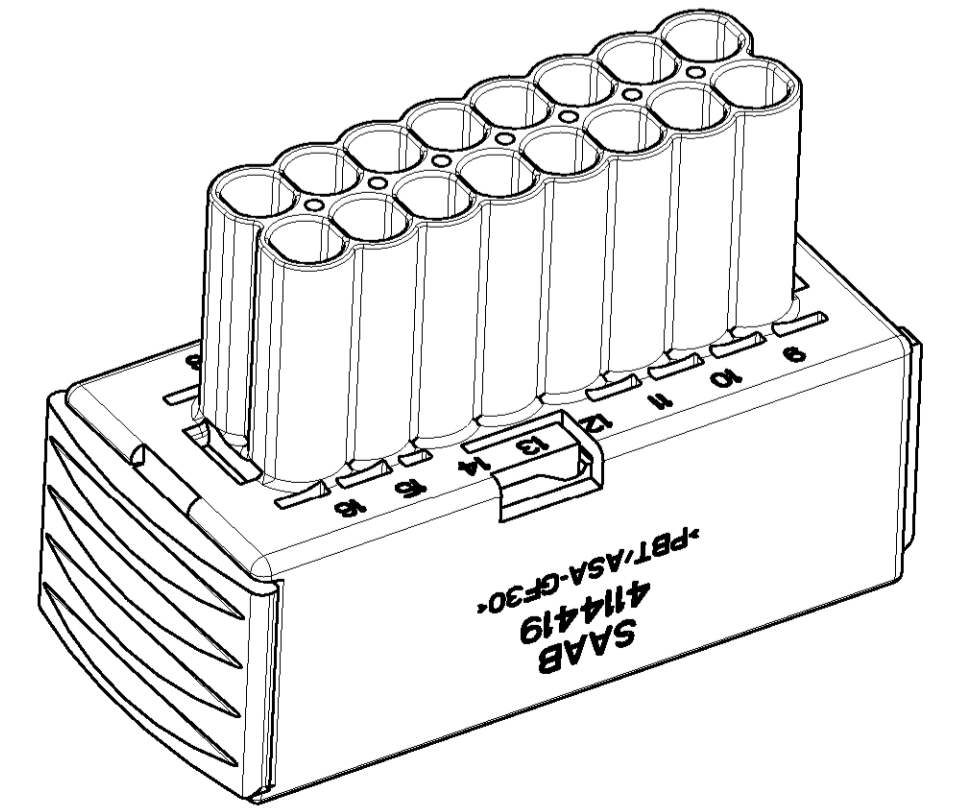
LOC	DIST	REVISIONS				
A1	-	P. LTR	DESCRIPTION	DATE	DRN	APVD
F3			REVISED PER ECO-11-005150	28APR11	RK	HMR



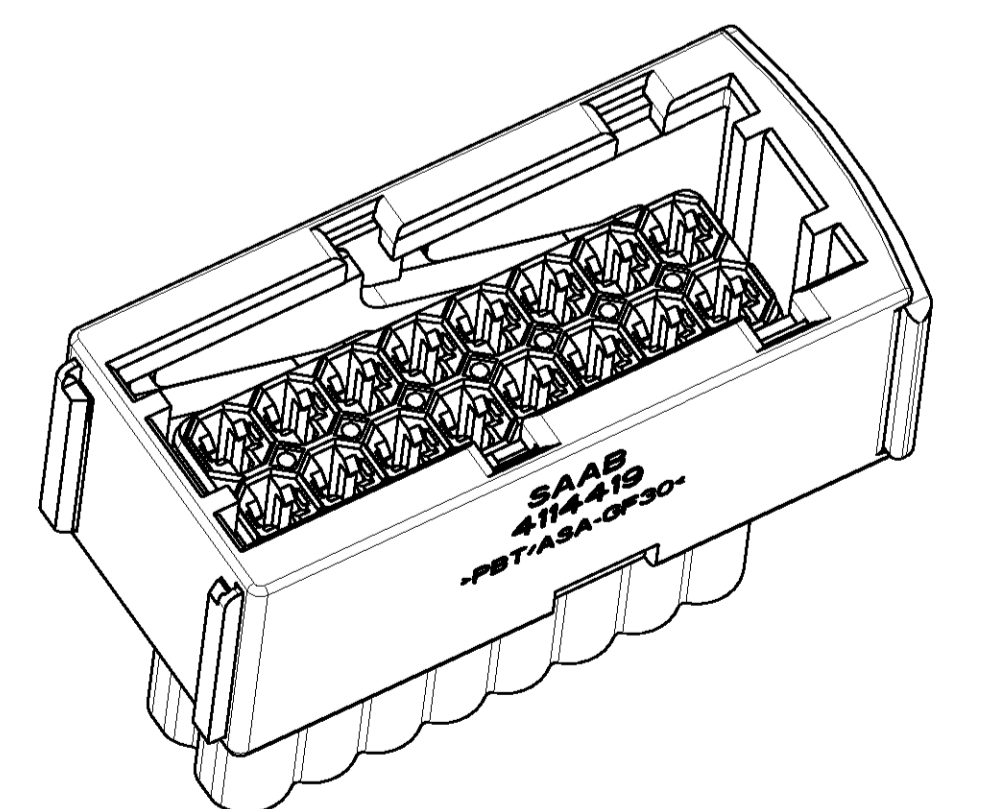
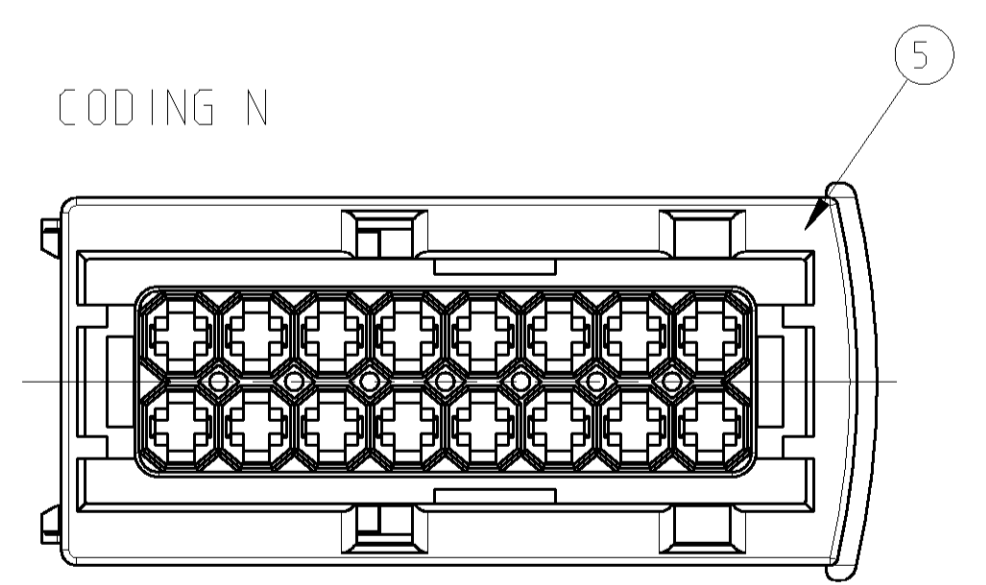
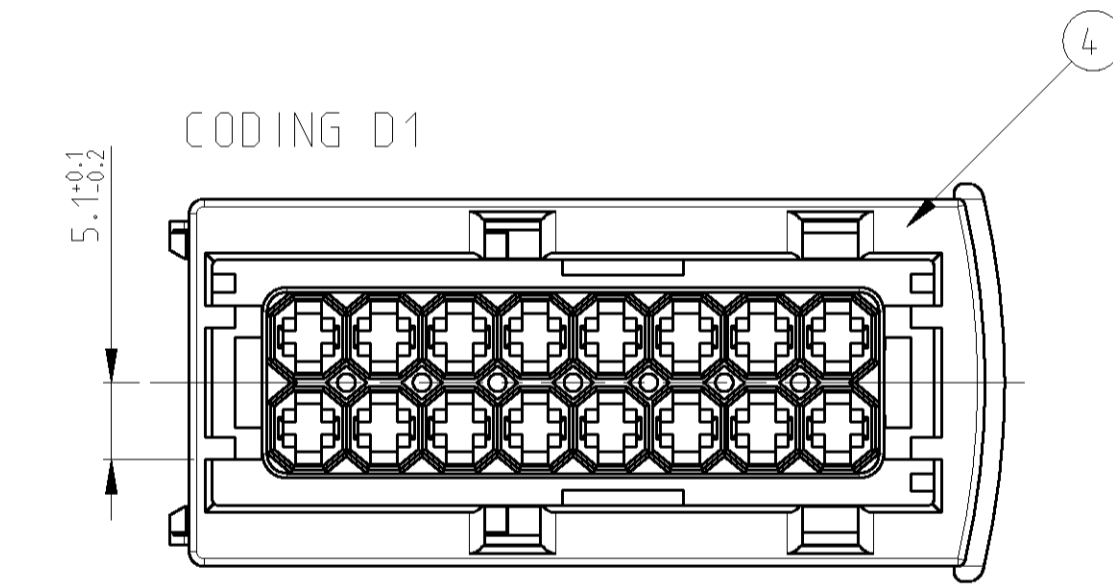
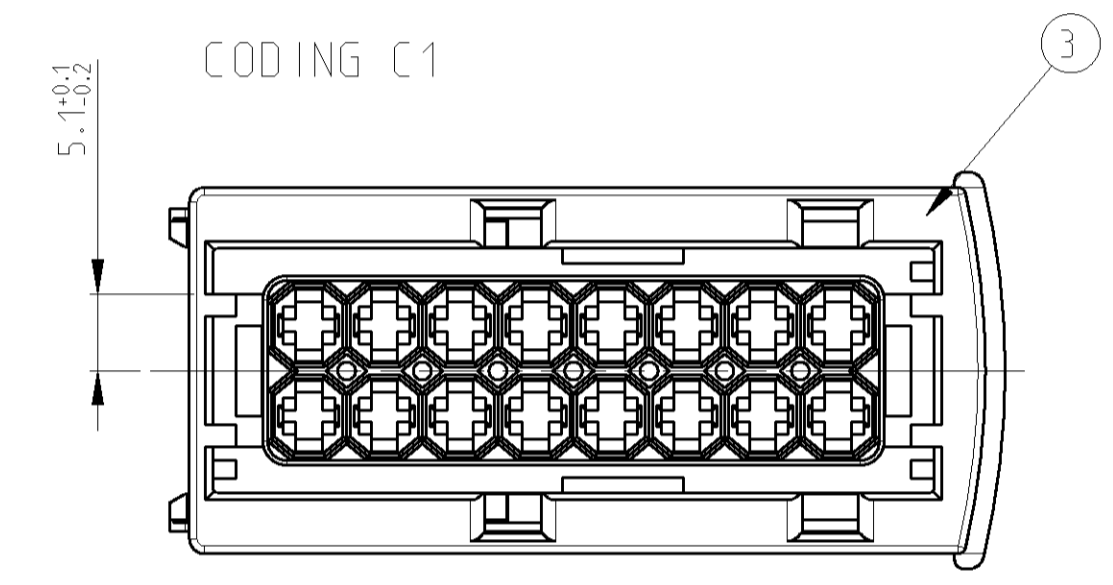
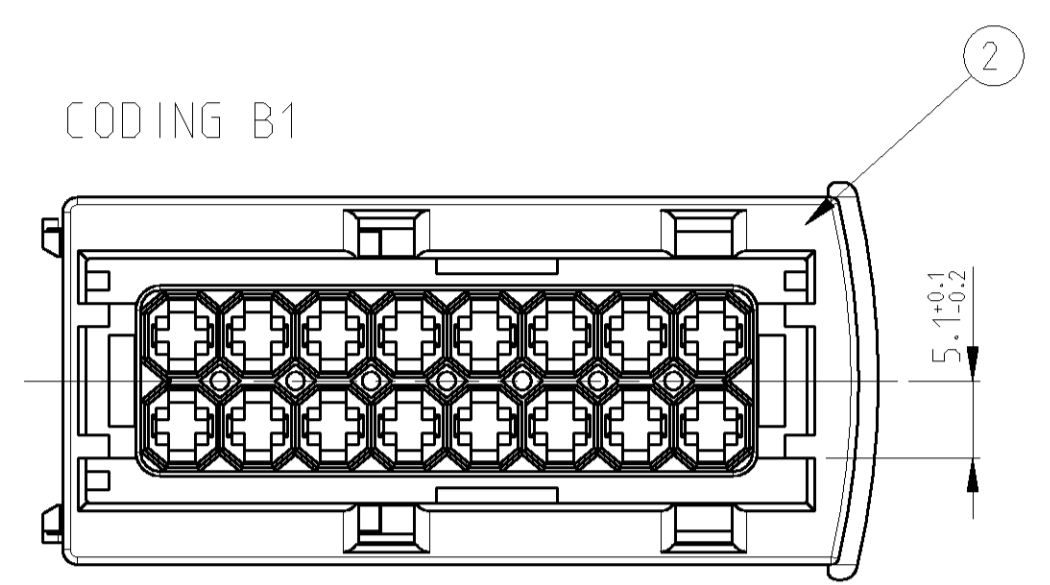
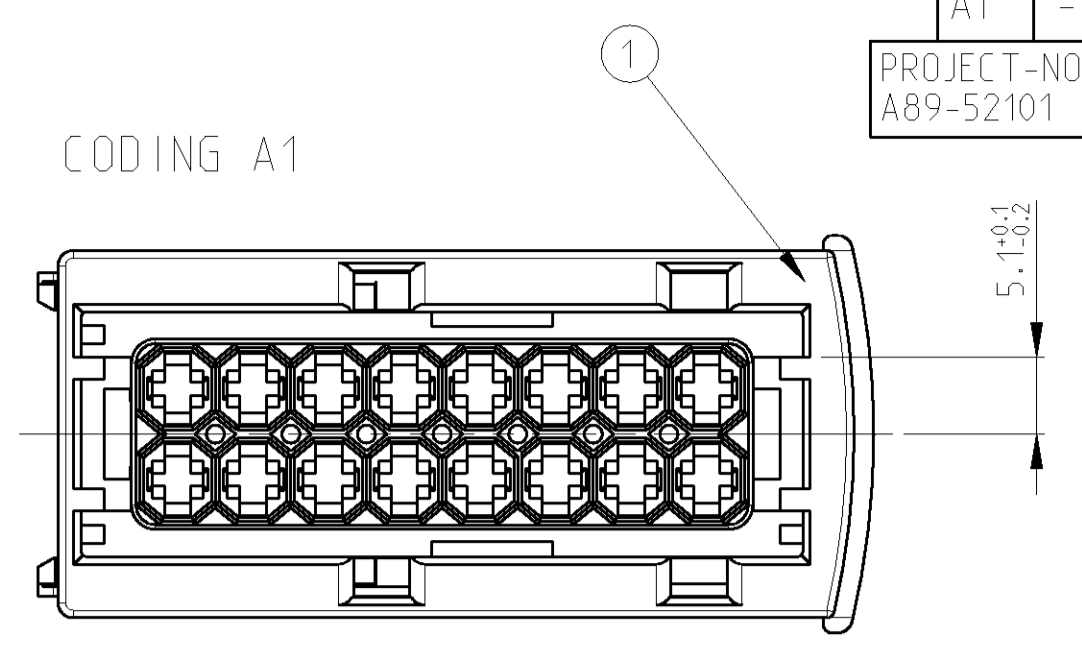
NOTES :

- 1 Au-VERSION OF CONTACT IS 1-xxxxxx-1  
Au-Version des Kontaktes ist 1-xxxxxx-1
- 2 WATER TIGHTNESS ACC. GMI 12590; 5.10.3  
FURTHER INFORMATIONS SEE PRODUCT SPECIFICATION 108-18102-1/...-9  
Wasserdichtheit nach GMI 12590; 5.10.3  
Weitere Informationen siehe Produktspezifikation 108-18102-1/...-9
- 3 Einfall bis auf 23.5mm zulässig  
SHRINKAGE UP TO 23.5MM ALLOWED

JPT	ORDER-NO. STRIP	WIRE SIZE (mm 2)	MATERIAL	FINISH	SINGLE WIRE SEAL	COLOR	WATER-TIGHTNESS
JPT	0-0929937-1	1.5 - 2.5	CuFe 2	TINNED	0-0828905-1	WHITE	IPX 9K
JPT	0-0929939-1	0.75 - 1.0	CuFe 2	TINNED	0-0828904-1	LIGHT BLUE	IPX 9K
JPT	0-0929939-1	0.5	CuFe 2	TINNED	0-0963294-1	BLUE	IPX 9K
JPT	0-0929941-1	0.35	CuFe 2	TINNED	0-0963294-1	BLUE	IPX 9K



2:1



2:1

CUSTOMER PART NO.	GM SIGN	PART NO.	REV.	PCS	MATERIAL	COLOR	DESCRIPTION	ITEM NO.
4114401		5-963217-1		1	PBT/ASA-GF30	RED	SLIDE	6
4114443		4-963217-1		1	PBT/ASA-GF30	WHITE	JPT HSG., 16POS.	5
4114435		3-963217-1		1	PBT/ASA-GF30	BROWN	JPT HSG., 16POS.	4
4114427		2-963217-1		1	PBT/ASA-GF30	RED	SLIDE	6
4114419	ZFW 16-2	1-963217-1		1	PBT/ASA-GF30	RED	SLIDE	6
				1	PBT/ASA-GF30	BLACK	JPT HSG., 16POS.	1

DIMENSIONS:	TOLERANCES UNLESS OTHERWISE SPECIFIED:
mm	0 PLC #
	1 PLC #0.3
	2 PLC #0.3
	3 PLC #0.3
	4 PLC #0.3
	ANGLES
MATERIAL	FINISH

DRN	29-MAR-1999	<b>TE Connectivity</b>
ENR	29-MAR-1999	
APVD		NAME
PRODUCT SPEC	108-18102	JPT REC-HOUSING, 16POS., ASSY
APPLICATION SPEC	114-18175	JPT Buchsengehäuse, 16pol., Assy
WEIGHT		SIZE
CUSTOMER DRAWING		CAGE CODE
		DRAWING NO.
		00779
		SCALE
		2:1
		SHEET
		1 OF 1
		REV
		F3