

4

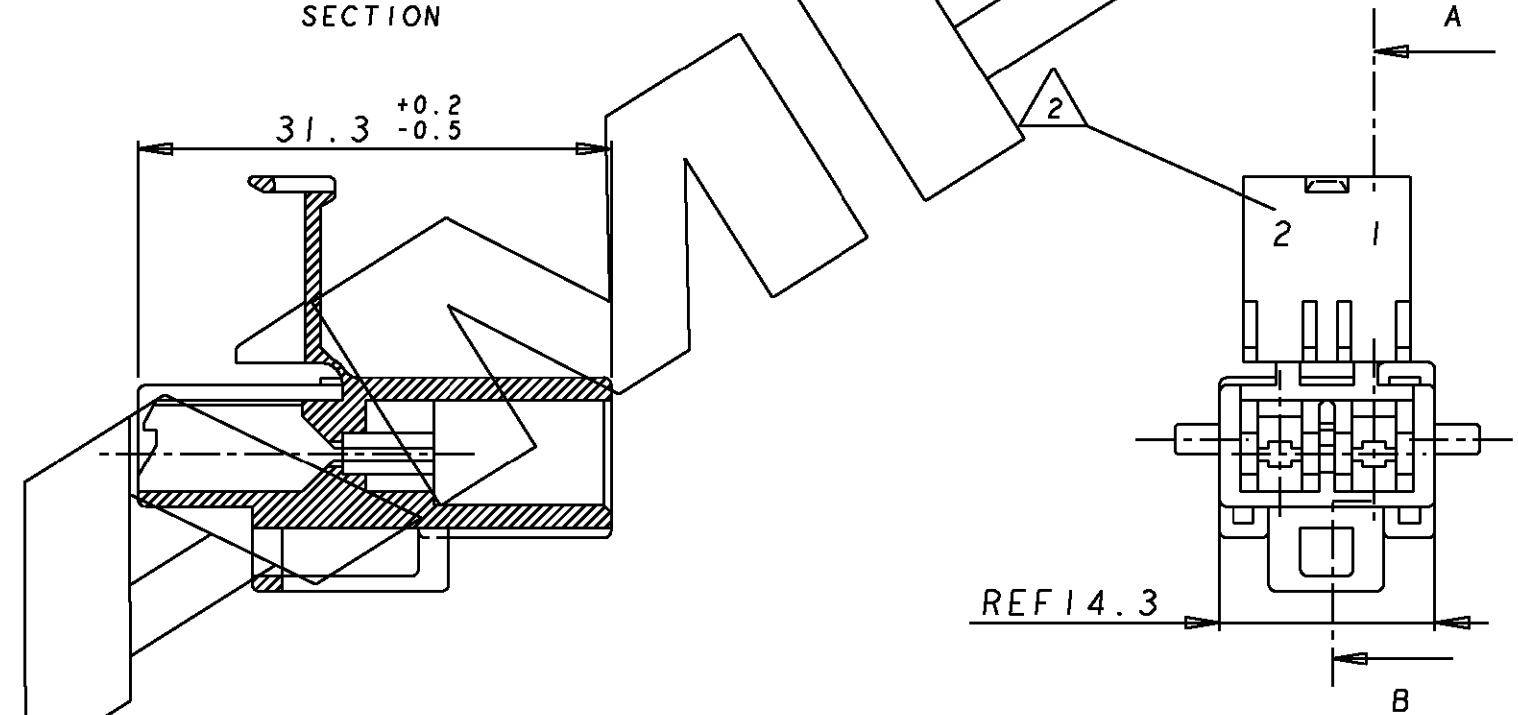
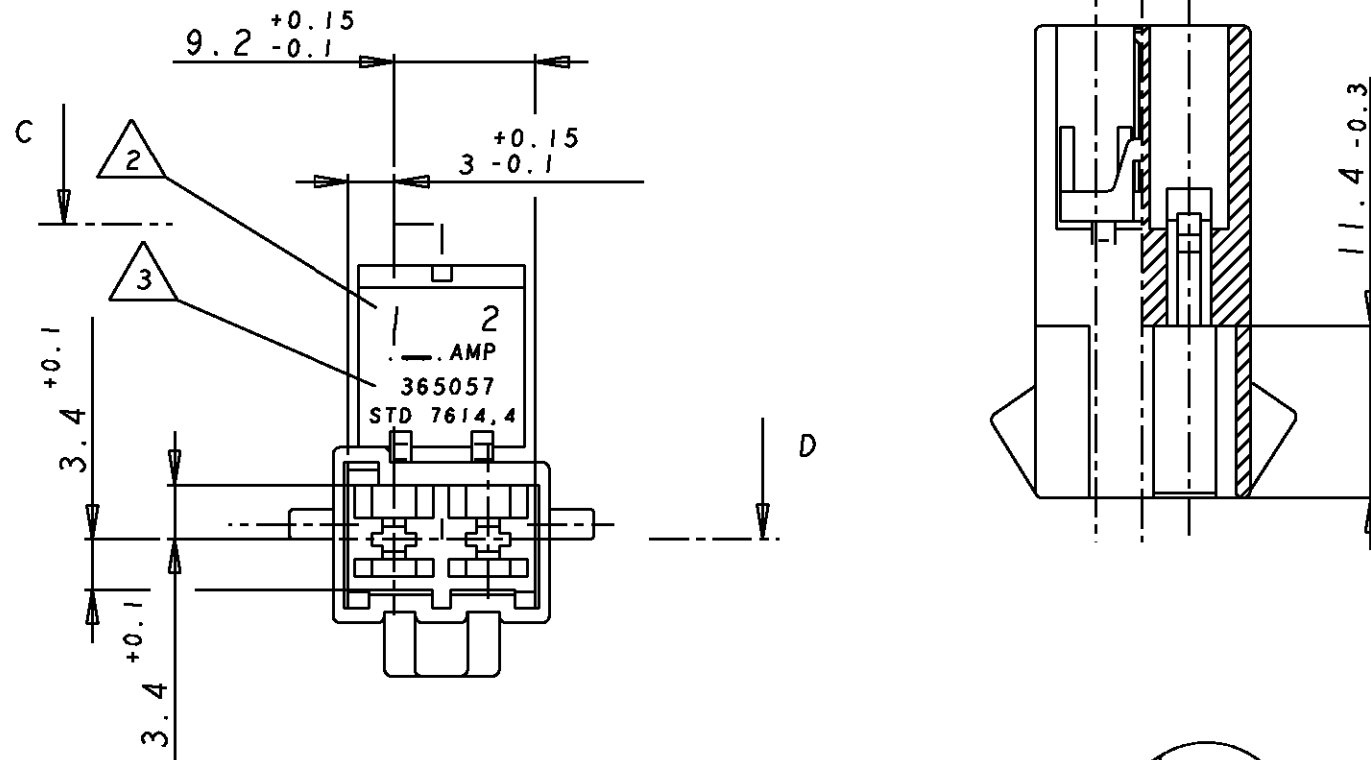
3

2

1

CAD-Original

Index	Description	Date	Name
A	CONTOUR AND DIMENSION	16.1.86	M. KLAUTKE
B	REDRAWN	24 JUL 87	H. BOUDA
C	DIM 31.3 ± 0.2 WAS 31.3 ± 0.5	18 OCT 88	W. PFEFFER
D	TRANSFERRED TO AMPES PER EC ES00-1753-93	15-6-93	J. PASCUAL
E	SEE EC ES00-0023-93	10-2-03	A. HERRANZ

SECCION C-D
SECTIONSECCION A-B
SECTIONCODIGO 1
CODINGCODIGO 2
CODINGCODIGO 3
CODINGCODIGO 4
CODINGMATERIAL Y COLORES HAN DE ESTAR LIBRES DE CADMIO
MATERIAL AND COLORS ARE FREE OF CADMIUM

1
 ▲ 2
 ALTURA LETRA 2
 CHARACTER HEIGHT 2

▲ 3
 ALTURA LETRA 1
 CHARACTER HEIGHT 1

4
 USAR CON 365058
 FITTING WITH 365058

5
 LAS PIEZAS DEBEN IR EMPAQUETADAS HERMETICAMENTE
 Y SU CONTENIDO DE HUMEDAD DEBE SER 2.5±1%
 PARTS MUST BE AIR TIGHT PACKAGED,
 MOISTURE CONTENT MUST BE 2.5±1%

CUSTOMER DWG

AMPAMP ESPAÑOLA, S.A.
BARCELONA SPAIN

CODE 4	365057-4	PA 6.6	YELLOW
CODE 3	365057-3	PA 6.6	BLACK
CODE 2	365057-2	PA 6.6	GREY
CODE 1	365057-1	PA 6.6	NATUR
Code NO.	Part Number	Material	Finish Colour
	DR 12.04.85 R. ULLRICH	CHK 15-6-93 J. PASCUAL	APP 15-6-93 L. BATLLO

GENERAL TOLERANCES

±0.2 mm
±1°

SCALE 2:1

Format

B

REV. DWG: E

DWG NO.

365057

SHEET

1 OF 1

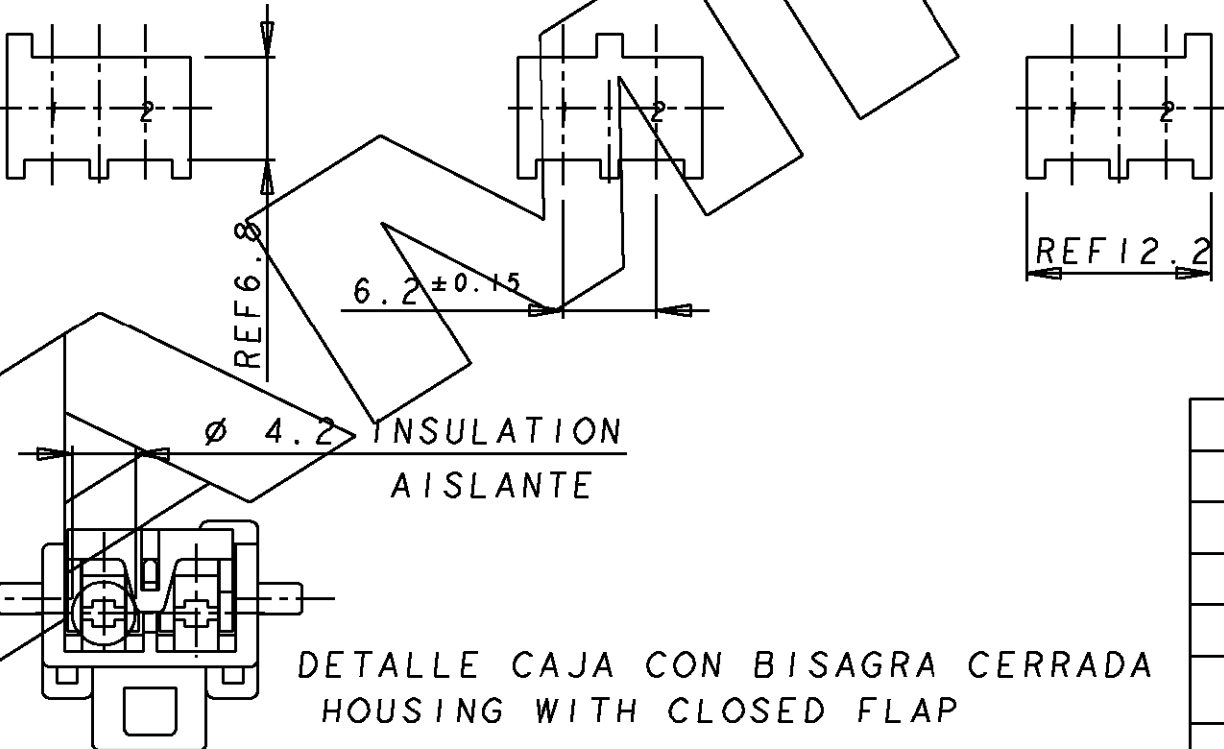
INSULATION
AISLANTEDETALLE CAJA CON BISAGRA CERRADA
HOUSING WITH CLOSED FLAP

REF 12.2

REF 6.8

6.2 ± 0.15

REF 14.3

LOC
AL
DIST
2