

MATERIAL NUMBER		CKT SIZE	DESCRIPTION	POL	COLOR
TRAY PACKAGING PK-31300-892	TUBE PACKAGING PK-31301-063				
34691-0200	34691-9200	20	STAC64 RIGHT ANGLE HEADER ASSEMBLY	A	BLACK
34691-0201	34691-9201	20	STAC64 RIGHT ANGLE HEADER ASSEMBLY	B	GREY
34691-0202	34691-9202	20	STAC64 RIGHT ANGLE HEADER ASSEMBLY	C	BROWN
34691-0203	34691-9203	20	STAC64 RIGHT ANGLE HEADER ASSEMBLY	D	GREEN
34691-0160	34691-9160	16	STAC64 RIGHT ANGLE HEADER ASSEMBLY	A	BLACK
34691-0161	34691-9161	16	STAC64 RIGHT ANGLE HEADER ASSEMBLY	B	GREY
34691-0162	34691-9162	16	STAC64 RIGHT ANGLE HEADER ASSEMBLY	C	BROWN
34691-0120	34691-9120	12	STAC64 RIGHT ANGLE HEADER ASSEMBLY	A	BLACK
34691-0121	34691-9121	12	STAC64 RIGHT ANGLE HEADER ASSEMBLY	B	GREY
34691-0122	34691-9122	12	STAC64 RIGHT ANGLE HEADER ASSEMBLY	C	BROWN
34691-0080	34691-9080	8	STAC64 RIGHT ANGLE HEADER ASSEMBLY	A	BLACK
34691-0081	34691-9081	8	STAC64 RIGHT ANGLE HEADER ASSEMBLY	B	GREY
34691-0082	34691-9082	8	STAC64 RIGHT ANGLE HEADER ASSEMBLY	C	BROWN

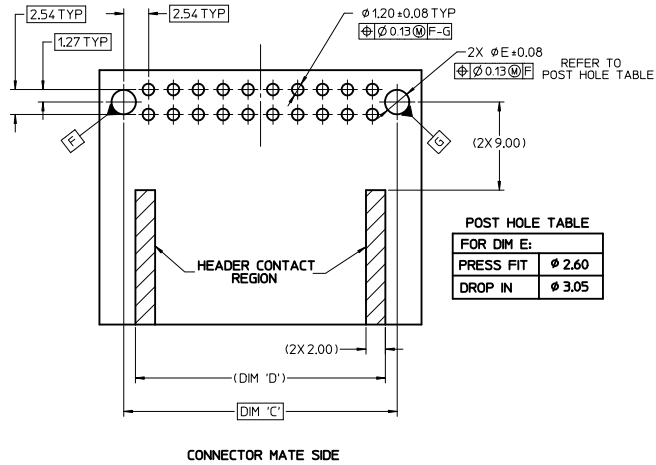
NOTES: VALID UNLESS OTHERWISE SPECIFIED

1. GENERAL:
 - a. CONNECTOR HEADER MUST BE VALIDATED TO THE FOLLOWING FUNCTIONAL REQUIREMENTS:
 - POLARIZATION FEATURE EFFECTIVENESS - SEE PRODUCT SPECIFICATION
 - PIN RETENTION - USCAR-2 REV 4
 - SOLDERABILITY - SMES-152
 - b. APPLICATION REQUIREMENTS (REFERENCE ONLY) FOR:
 - SEE APPLICATION SPECIFICATION - AS-34729-020
 - SEE PRODUCT SPECIFICATION - PS-34729-020
 - c. PACKAGING SPECIFICATION: SEE CHART
2. DESIGN: MATERIALS:
 - a. SHROUD (PLASTIC HOUSING):
 - RESIN - SPS 30%GF - 20% REGRIND MAX. BY WEIGHT
 - b. 0.64MM PINS:
 - BASE MATERIAL: C26000
 - PLATING TYPE: AS NOTED
 - c. PIN ALIGNMENT PLATE: MYLAR
3. PLATING REQUIREMENTS:
 - a. UNDERPLATING - OVERALL NICKEL
 - b. OVERPLATING - OVERALL TIN

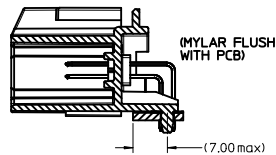
UPDATED DIMENSIONS DEC NO: UAU2011-0361 DRAWN: JYAO 2010/11/03 CHKD: CHYK APPR: SMARCEAU 2010/11/04 DESCRIPTION: STAC64 RIGHT ANGLE HEADER ASSEMBLY	QUALITY SYMBOLS ▽=0 ▽=0	GENERAL TOLERANCES (UNLESS SPECIFIED): <table border="1"> <tr><th></th><th>mm</th><th>INCH</th></tr> <tr><td>4 PLACES ±</td><td>0.13</td><td>±0.005</td></tr> <tr><td>3 PLACES ±</td><td>0.25</td><td>±0.010</td></tr> <tr><td>2 PLACES ±</td><td>0.38</td><td>±0.015</td></tr> <tr><td>1 PLACE ±</td><td>0.51</td><td>±0.020</td></tr> </table>		mm	INCH	4 PLACES ±	0.13	±0.005	3 PLACES ±	0.25	±0.010	2 PLACES ±	0.38	±0.015	1 PLACE ±	0.51	±0.020	DIMENSION STYLE MM ONLY	SCALE 2:1	DESIGN UNITS METRIC	THIRD ANGLE PROJECTION
		mm	INCH																		
	4 PLACES ±	0.13	±0.005																		
	3 PLACES ±	0.25	±0.010																		
2 PLACES ±	0.38	±0.015																			
1 PLACE ±	0.51	±0.020																			
DRAWN BY: MBAILEY CHECKED BY: EDILLON APPROVED BY: SMARCEAU DATE: 10/02/06 DATE: 04/18/07 DATE: 2010/11/04	TITLE STAC64 SINGLE BAY RIGHT ANGLE ASSEMBLY SALES DRAWING			MOLEX INCORPORATED		SHEET NO. 1 OF 2															
DRAFT WHERE APPLICABLE MUST REMAIN WITHIN DIMENSIONS		MATERIAL NO. SEE CHART		DOCUMENT NO. SD-34691-100		THIS DRAWING CONTAINS INFORMATION THAT IS PROPRIETARY TO MOLEX INCORPORATED AND SHOULD NOT BE USED WITHOUT WRITTEN PERMISSION															
SIZE D																					

CKT SIZE	DIM 'A'	DIM 'B'	DIM 'C'	DIM 'D'
20	34.04	31.57	27.94	25.54
16	28.96	26.49	22.86	20.46
12	23.88	21.41	17.78	15.38
8	18.80	16.53	12.70	10.30

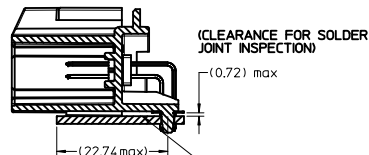
RECOMMENDED PCB LAYOUT



POST HOLE TABLE	
FOR DIM E:	
PRESS FIT	Ø 2.60
DROP IN	Ø 3.05

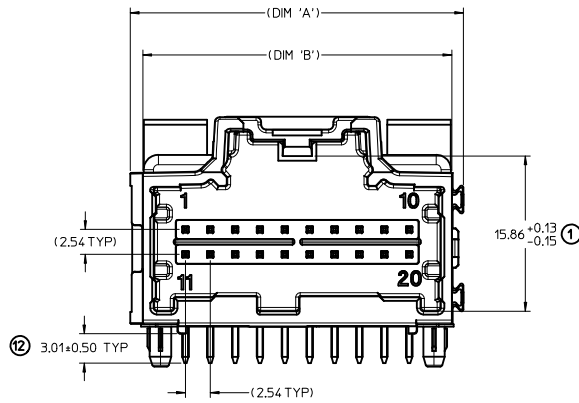


PANEL MOUNTING:
HEADER-TO-PCB
SCALE 2:1

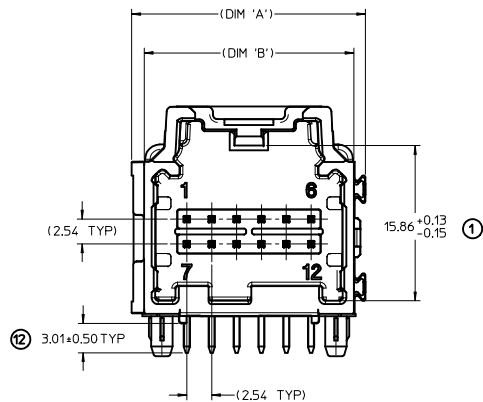


FLUSH MOUNTING:
HEADER-TO-PCB
SCALE 2:1

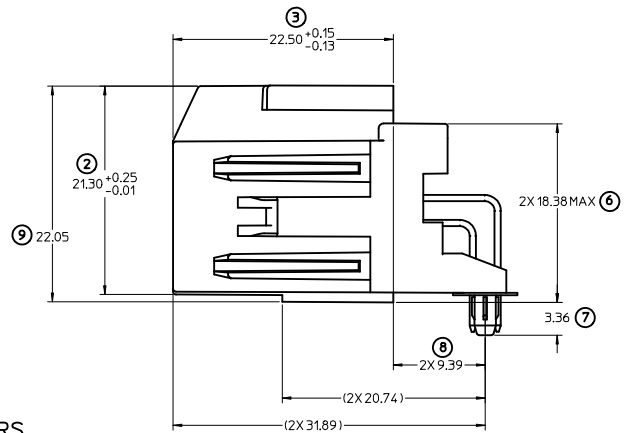
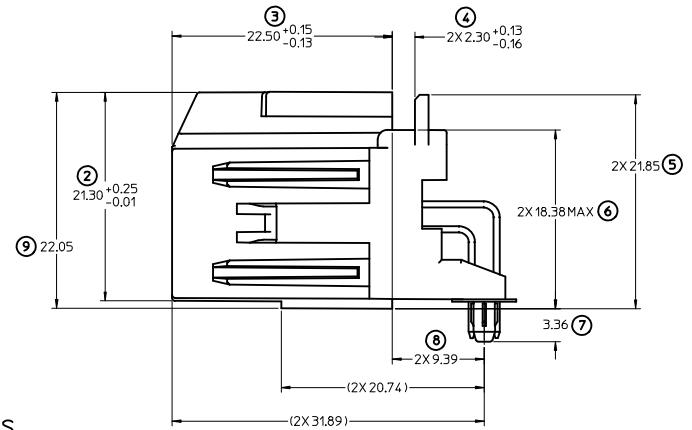
* RECOMMENDED FOR PIN THROUGH PASTE REFLOW PROCESSING *



LAYOUT FOR 16 & 20 CKT. HEADERS
(20 CKT. OPTION 'A' SHOWN)



LAYOUT FOR 8 & 12 CKT. HEADERS
(12 CKT. OPTION 'A' SHOWN)



REV	DESCRIPTION	DATE	QUALITY SYMBOLS		GENERAL TOLERANCES (UNLESS SPECIFIED)		DIMENSION STYLE		SCALE	DESIGN UNITS	THIRD ANGLE PROJECTION
			mm	INCH	MM ONLY	INCH	4:1	METRIC	☉		
03	UPDATED DIMENSIONS	2010/11/03	4 PLACES ± 0.13	± 0.005	± 0.13	± 0.005	MM ONLY	DATE	DATE	TITLE	
	EC NO. UAU2011-0361	2010/11/03	3 PLACES ± 0.25	± 0.010	± 0.25	± 0.010	DATE	DATE			
	DRWNG: YAO		1 PLACE ± 0.25	± 0.020	± 0.25	± 0.020	APPROVED BY	DATE			
	CHKD: SMARCEAU		ANGULAR ± 3°				SMARCEAU	2010/11/04			
	APPR: SMARCEAU	2010/11/04	DRAFT WHERE APPLICABLE MUST REMAIN WITHIN DIMENSIONS				MATERIAL NO. SEE CHART				
							MOLEX INCORPORATED				
							DOCUMENT NO. SD-34691-100				
							SHEET NO. 2 OF 2				