

MATERIAL NUMBER		CKT SIZE	DESCRIPTION	POL	COLOR
TRAY PACKAGING PK-31300-892	TUBE PACKAGING PK-31301-063				
34691-0200	34691-9200	20	STAC64 RIGHT ANGLE HEADER ASSEMBLY	A	BLACK
34691-0201	34691-9201	20	STAC64 RIGHT ANGLE HEADER ASSEMBLY	B	GREY
34691-0202	34691-9202	20	STAC64 RIGHT ANGLE HEADER ASSEMBLY	C	BROWN
34691-0203	34691-9203	20	STAC64 RIGHT ANGLE HEADER ASSEMBLY	D	GREEN
34691-0160	34691-9160	16	STAC64 RIGHT ANGLE HEADER ASSEMBLY	A	BLACK
34691-0161	34691-9161	16	STAC64 RIGHT ANGLE HEADER ASSEMBLY	B	GREY
34691-0162	34691-9162	16	STAC64 RIGHT ANGLE HEADER ASSEMBLY	C	BROWN
34691-0120	34691-9120	12	STAC64 RIGHT ANGLE HEADER ASSEMBLY	A	BLACK
34691-0121	34691-9121	12	STAC64 RIGHT ANGLE HEADER ASSEMBLY	B	GREY
34691-0122	34691-9122	12	STAC64 RIGHT ANGLE HEADER ASSEMBLY	C	BROWN
34691-0080	34691-9080	8	STAC64 RIGHT ANGLE HEADER ASSEMBLY	A	BLACK
34691-0081	34691-9081	8	STAC64 RIGHT ANGLE HEADER ASSEMBLY	B	GREY
34691-0082	34691-9082	8	STAC64 RIGHT ANGLE HEADER ASSEMBLY	C	BROWN

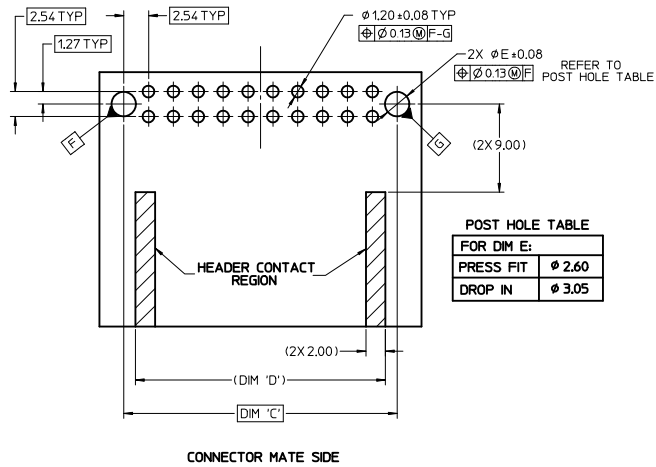
NOTES: VALID UNLESS OTHERWISE SPECIFIED

1. GENERAL:
 - a. CONNECTOR HEADER MUST BE VALIDATED TO THE FOLLOWING FUNCTIONAL REQUIREMENTS:
 - POLARIZATION FEATURE EFFECTIVENESS - SEE PRODUCT SPECIFICATION
 - PIN RETENTION - USCAR-2 REV 4
 - SOLDERABILITY - SMES-152
 - b. APPLICATION REQUIREMENTS (REFERENCE ONLY) FOR:
 - SEE APPLICATION SPECIFICATION - AS-34729-020
 - SEE PRODUCT SPECIFICATION - PS-34729-020
 - c. PACKAGING SPECIFICATION: SEE CHART
2. DESIGN: MATERIALS:
 - a. SHROUD (PLASTIC HOUSING):
 - RESIN - SPS 30%GF - 20% REGRIND MAX. BY WEIGHT
 - b. 0.64MM PINS:
 - BASE MATERIAL: C26000
 - PLATING TYPE: AS NOTED
 - c. PIN ALIGNMENT PLATE: MYLAR
3. PLATING REQUIREMENTS:
 - a. UNDERPLATING - OVERALL NICKEL
 - b. OVERPLATING - OVERALL TIN

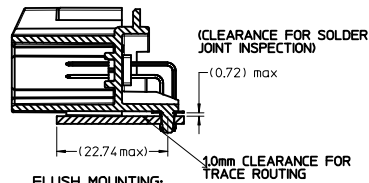
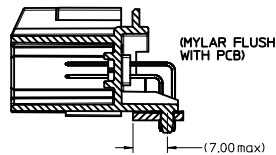
UPDATED DIMENSIONS DEC NO: UAU2011-0361 DRAWN BY: CHYK APPR: SMARCEAU DATE: 2010/11/03	QUALITY SYMBOLS 	GENERAL TOLERANCES (UNLESS SPECIFIED): mm INCH 4 PLACES ± .005 ± .0005 3 PLACES ± .008 ± .0008 2 PLACES ± .013 ± .0013 1 PLACE ± .025 ± .0025 ANGULAR ± 3°	DIMENSION STYLE MM ONLY	SCALE 2:1	DESIGN UNITS METRIC	THIRD ANGLE PROJECTION 	
	DRAWN BY: MBAILEY CHECKED BY: EDILLON APPROVED BY: SMARCEAU DATE: 10/02/06 DATE: 04/18/07 DATE: 2010/11/04	TITLE STAC64 SINGLE BAY RIGHT ANGLE ASSEMBLY SALES DRAWING	MOLEX INCORPORATED	MATERIAL NO. SD-34691-100	DOCUMENT NO.	SHEET NO. 1 OF 2	
	DRAFT WHERE APPLICABLE MUST REMAIN WITHIN DIMENSIONS	SIZE D	THIS DRAWING CONTAINS INFORMATION THAT IS PROPRIETARY TO MOLEX INCORPORATED AND SHOULD NOT BE USED WITHOUT WRITTEN PERMISSION				

CKT SIZE	DIM 'A'	DIM 'B'	DIM 'C'	DIM 'D'
20	34.04	31.57	27.94	25.54
16	28.96	26.49	22.86	20.46
12	23.88	21.41	17.78	15.38
8	18.80	16.53	12.70	10.30

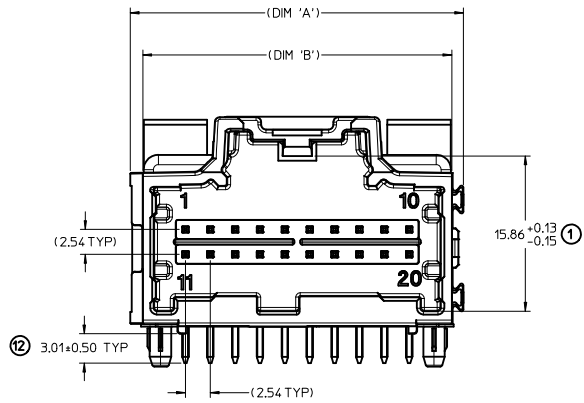
RECOMMENDED PCB LAYOUT



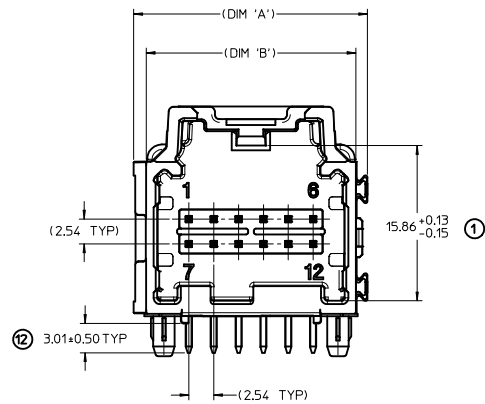
POST HOLE TABLE	
FOR DIM E:	
PRESS FIT	$\phi 2.60$
DROP IN	$\phi 3.05$



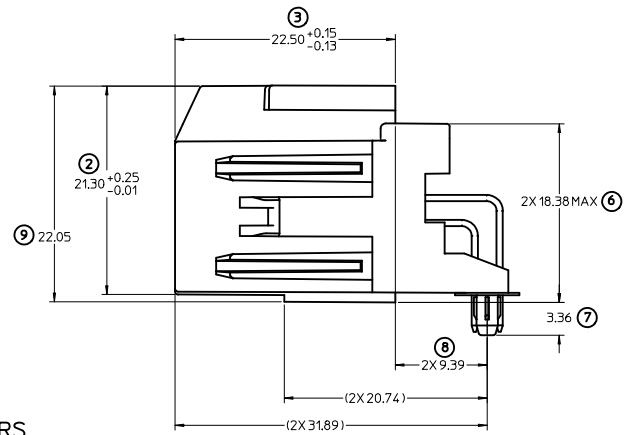
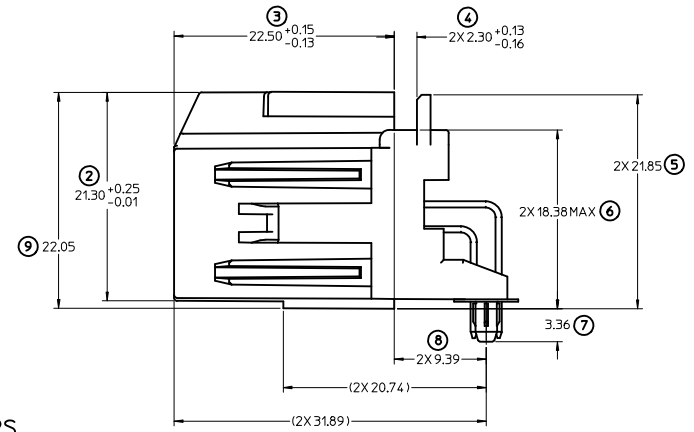
* RECOMMENDED FOR PIN THROUGH PASTE REFLOW PROCESSING *



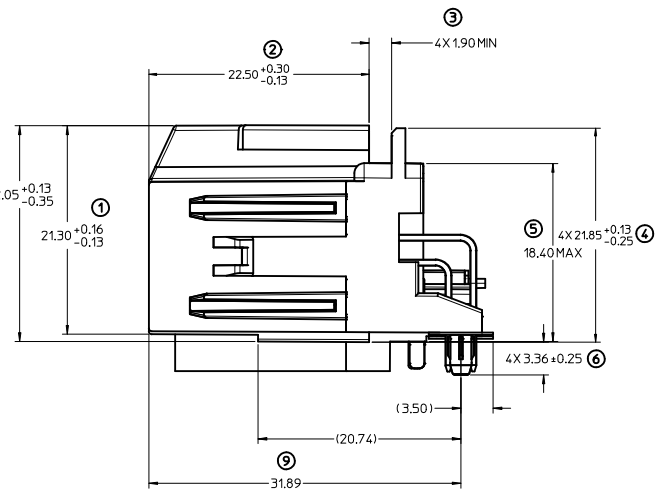
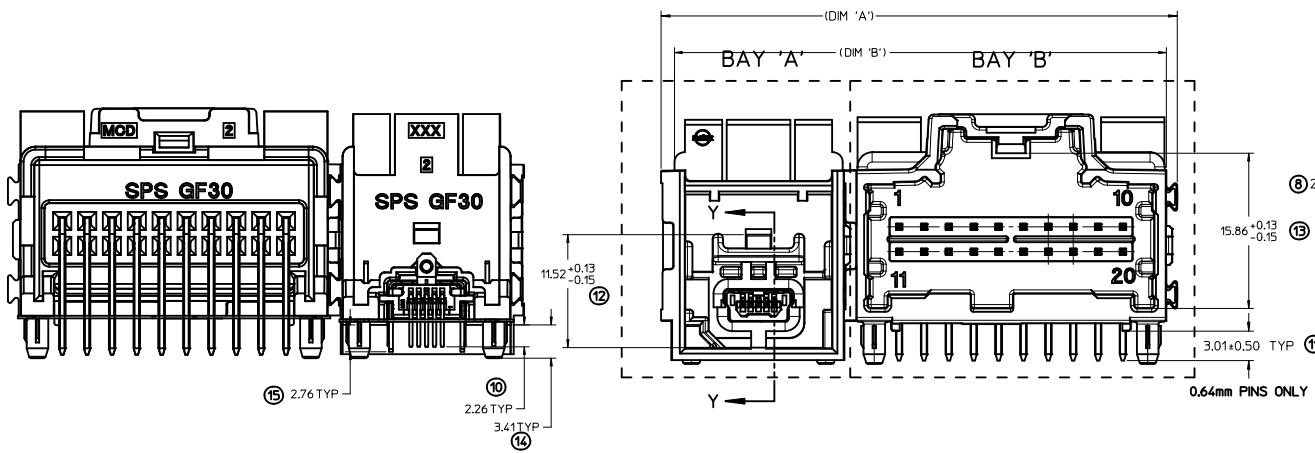
LAYOUT FOR 16 & 20 CKT. HEADERS
(20 CKT. OPTION 'A' SHOWN)



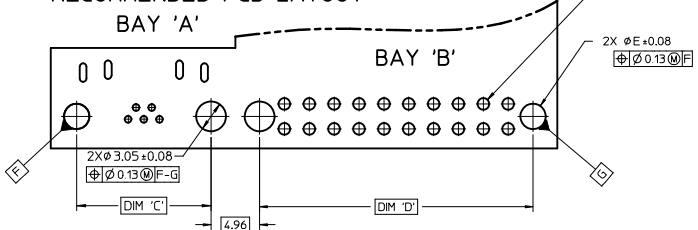
LAYOUT FOR 8 & 12 CKT. HEADERS
(12 CKT. OPTION 'A' SHOWN)



REV	DESCRIPTION	QUALITY SYMBOLS	GENERAL TOLERANCES (UNLESS SPECIFIED)		DIMENSION STYLE		SCALE	DESIGN UNITS	THIRD ANGLE PROJECTION
			mm	INCH	MM ONLY	DATE			
03	UPDATED DIMENSIONS	$\nabla=0$ $\nabla=0$	4 PLACES	± ---	± ---	DATE	4:1	METRIC	THIRD ANGLE PROJECTION
	EC NO. UAU2011-0361		3 PLACES	± ---	± ---	DATE			
	DRWING: YAO		2 PLACES	± 0.13	± ---	DATE			
	CHKD: SMARCEAU		1 PLACE	± 0.25	± ---	DATE			
	APPR: SMARCEAU		ANGULAR ± 3 °			DATE			
	2010/11/04		DRAFT WHERE APPLICABLE MUST REMAIN WITHIN DIMENSIONS			DATE			
			SEE CHART			DATE			
			MATERIAL NO.			DATE			
			MOLEX INCORPORATED			DATE			
			DOCUMENT NO.			DATE			
			SD-34691-100			DATE			
			SHEET NO.			DATE			
			2 OF 2			DATE			

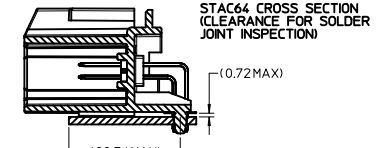


INSERT NECESSARY BAYS USING CHART ON SHEET 1.
RECOMMENDED PCB LAYOUT

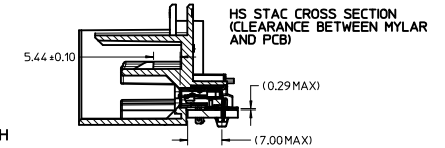


POST HOLE TABLE:

FOR DIM E:	
PRESS FIT:	2.60
DROP IN:	3.05



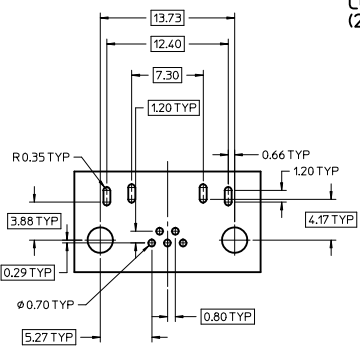
FLUSH MOUNTING:
HEADER-TO-PCB
SCALE 2:1



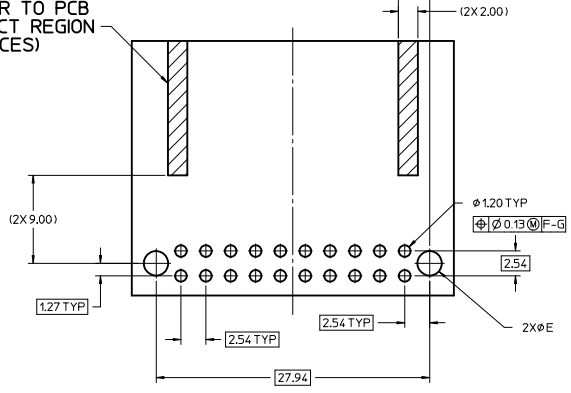
FLUSH MOUNTING
HEADER-TO-PCB
SCALE 2:1

* RECOMMENDED FOR PIN THROUGH
PASTE REFLOW PROCESSING *

HS STAC TEMPLATE
PCB LAYOUT



8-20 CKT 0.64mm TEMPLATE
PCB LAYOUT



REVISED EC NO. UAU2010-1868 DRAWN/DANIELE 2010/07/23 CHKD: 2010/09/30 APPR:SMARCEAU 2010/10/01	QUALITY SYMBOLS ▽=0 ▽=0	GENERAL TOLERANCES (UNLESS SPECIFIED)		DIMENSION STYLE MM ONLY		SCALE 4:1	DESIGN UNITS METRIC	THIRD ANGLE PROJECTION
		4 PLACES ± ---	3 PLACES ± ---	2 PLACES ± 0.13	1 PLACE ± 0.25	mm	INCH	DATE 2010/06/24
B1	DESCRIPTION	DRAFT WHERE APPLICABLE MUST REMAIN WITHIN DIMENSIONS		APPROVED BY SMARCEAU 2010/07/08		MATERIAL NO. SEE CHART		DOCUMENT NO. SD-34787-200
		THIS DRAWING CONTAINS INFORMATION THAT IS PROPRIETARY TO MOLEX INCORPORATED AND SHOULD NOT BE USED WITHOUT WRITTEN PERMISSION		DATE 2010/07/29		MOLEX INCORPORATED		SHEET NO. 2 OF 2