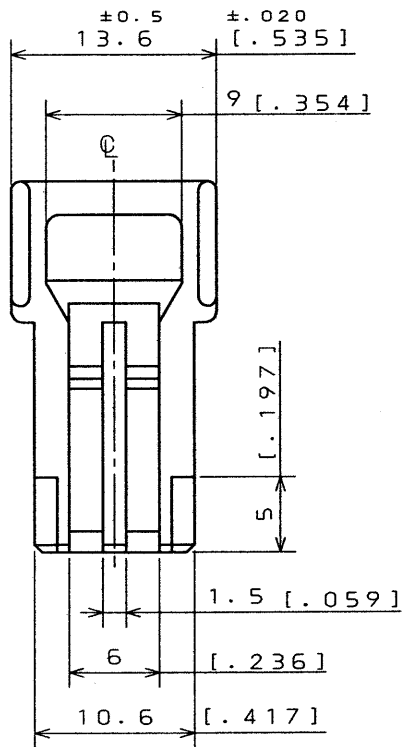


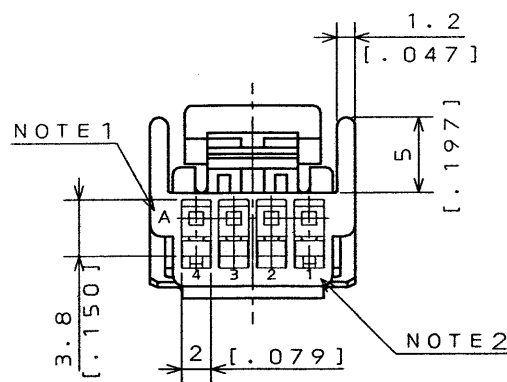
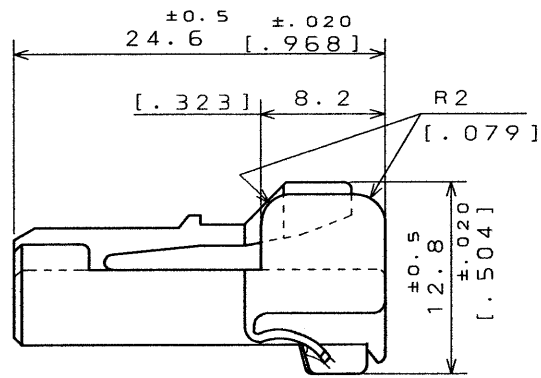
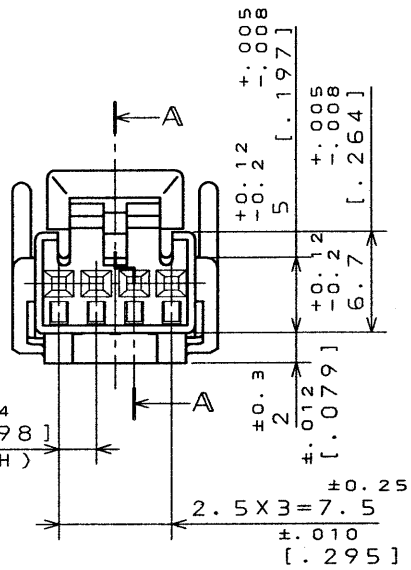
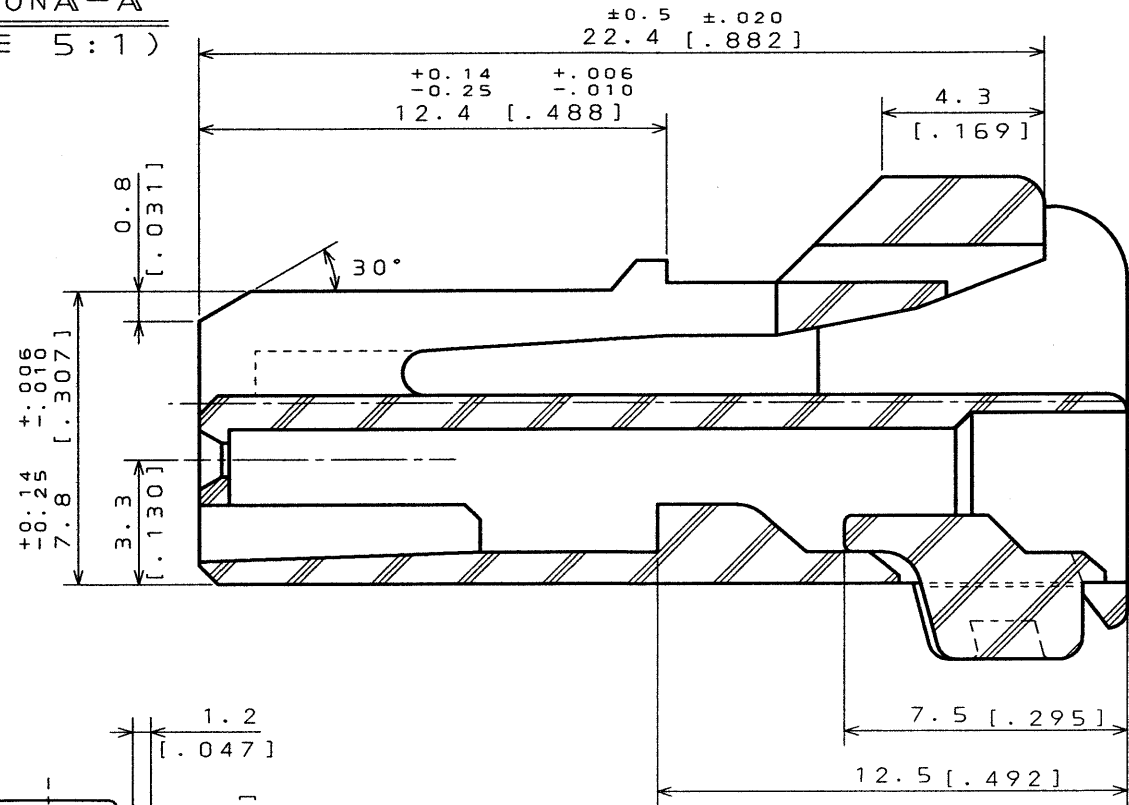
SJ024947-E

DWG. NO.

SYM.	DCN NO.	DESCRIPTION	DATE	DRAWN	CHECKED	APP'D	APP'D

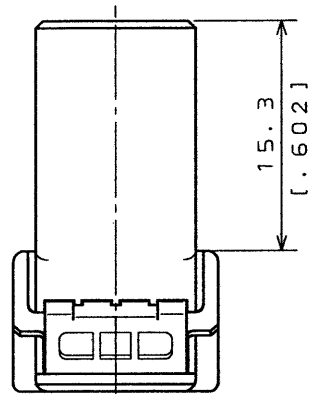
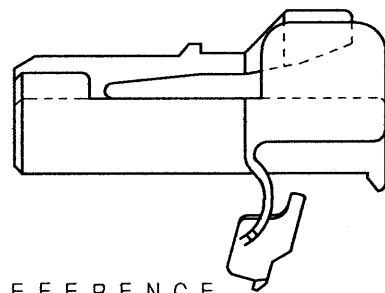


SECTION A-A
(SCALE 5:1)



NOTE
1. TOOLING MARK APPEARS IN RAISED LETTERS.
2. CONTACT NO. APPEARS IN RAISED LETTERS.

REFERENCE



DIMENSIONS ARE IN MILLIMETERS
TOLERANCES ON: (INCHES)

DIMENSION	TOLERANCE	ANGLES	CONCENTRICITY
. ± 0.2		X° ±	WITHIN T.I.R.
.X ± 0.2		XX° ±	
.XX ±			
.XXX ±			

ITEM	DESCRIPTION	Q'TY	MATERIAL	FINISH	REMARKS
REFERENCE DOCUMENT	DATE	SCALE	JAE-CONNECTOR.COM		
	27. Dec. '94	1	Reference Only		
MATERIAL	DRAWN	TITLE	MUSASHINO, AKISHIMA-SHI TOKYO, JAPAN		
PBT	SHINMYO	IL-AG5-4S-S3C1	DWG. NO.		
COLOR: GREEN	APP'D	(SOCKET HOUSING)	SJ024947-E		
TREATMENT	APP'D	SERIES	SIZE		
	S. Limori	IL-AG5	A3		
FINISH			CDS-90-11751		

DOF-116A

