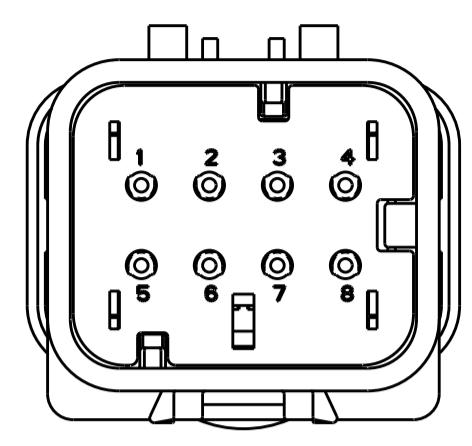
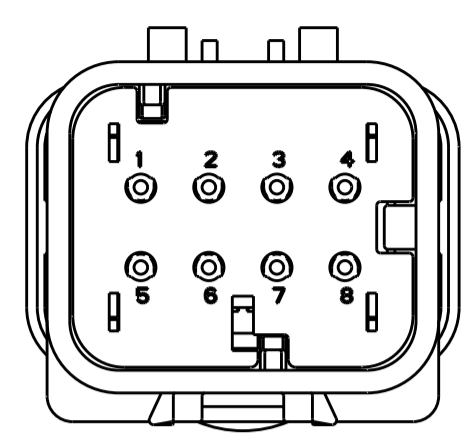


THIS DRAWING IS UNPUBLISHED. RELEASED FOR PUBLICATION  
 © COPYRIGHT 20 BY - ALL RIGHTS RESERVED.

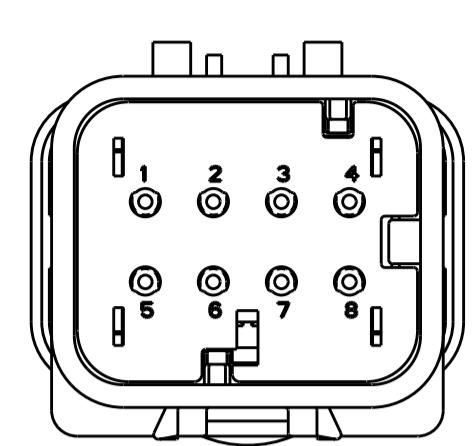
LOC	DIST	REVISIONS					
GE	00	P	LTR	DESCRIPTION	DATE	DWN	APVD
		B4		REVISED PER ECO-11-005030	11MAR2011	RK	HMR



776538-2  
SCALE 2:1

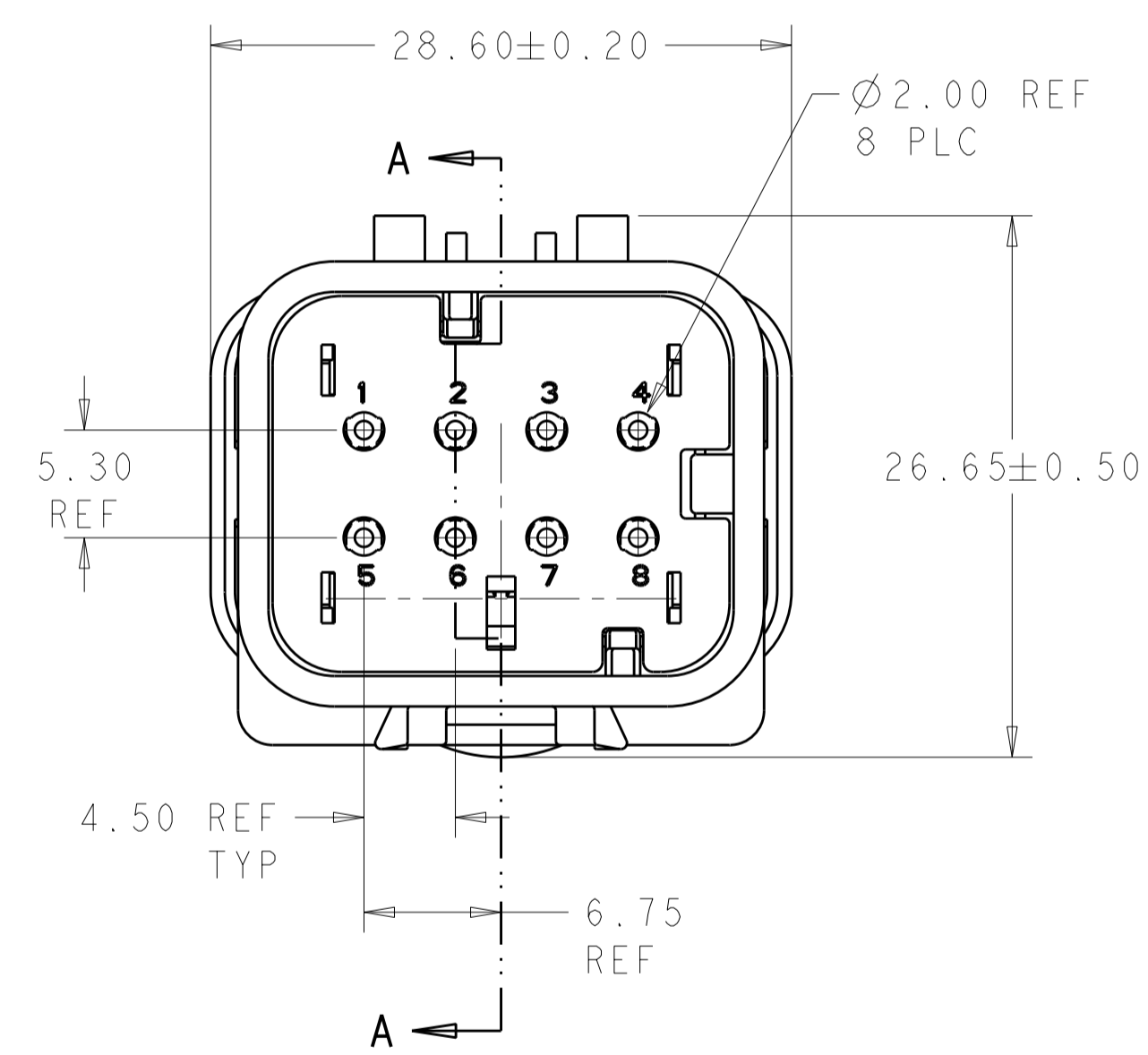


776538-3  
SCALE 2:1

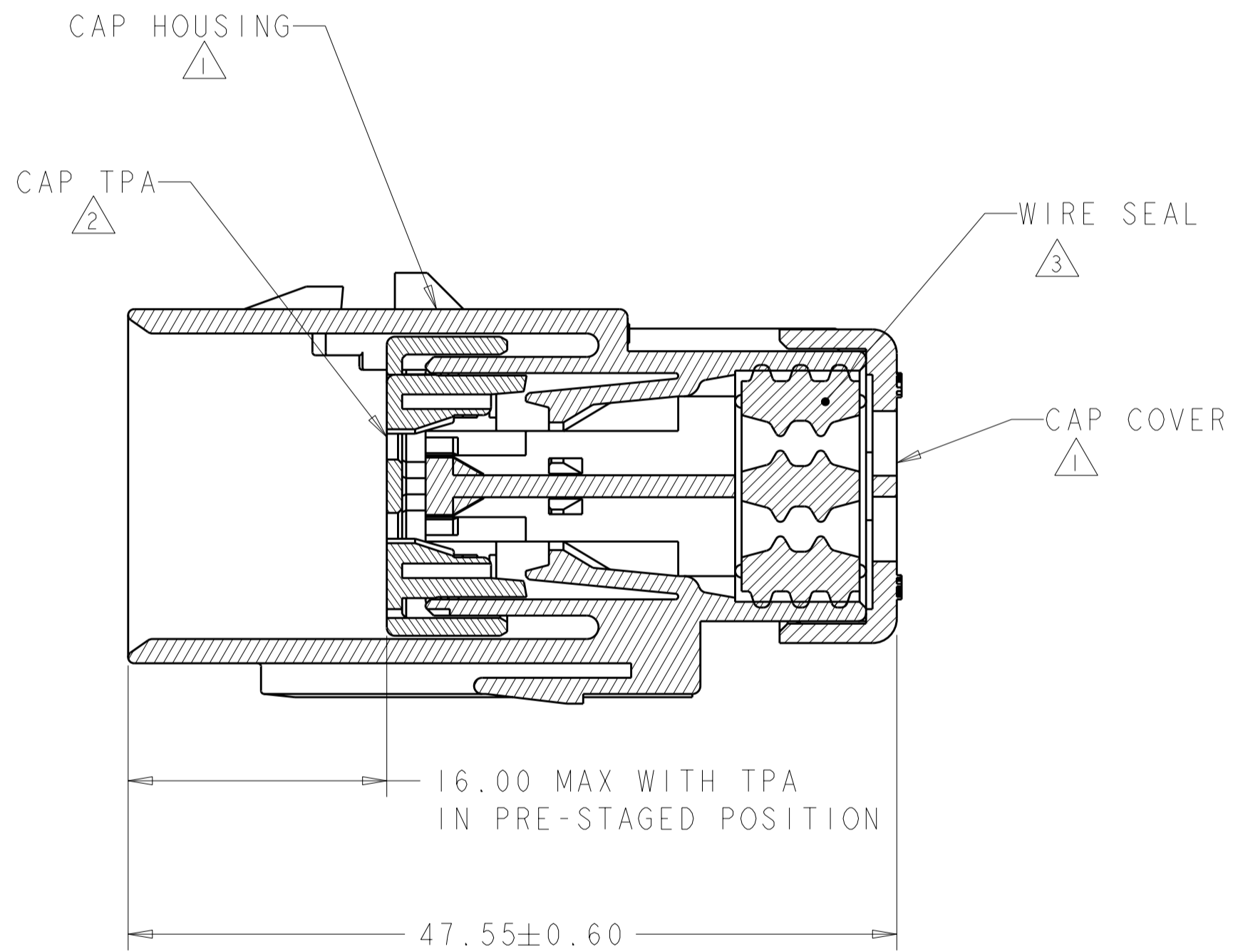


776538-4  
SCALE 2:1

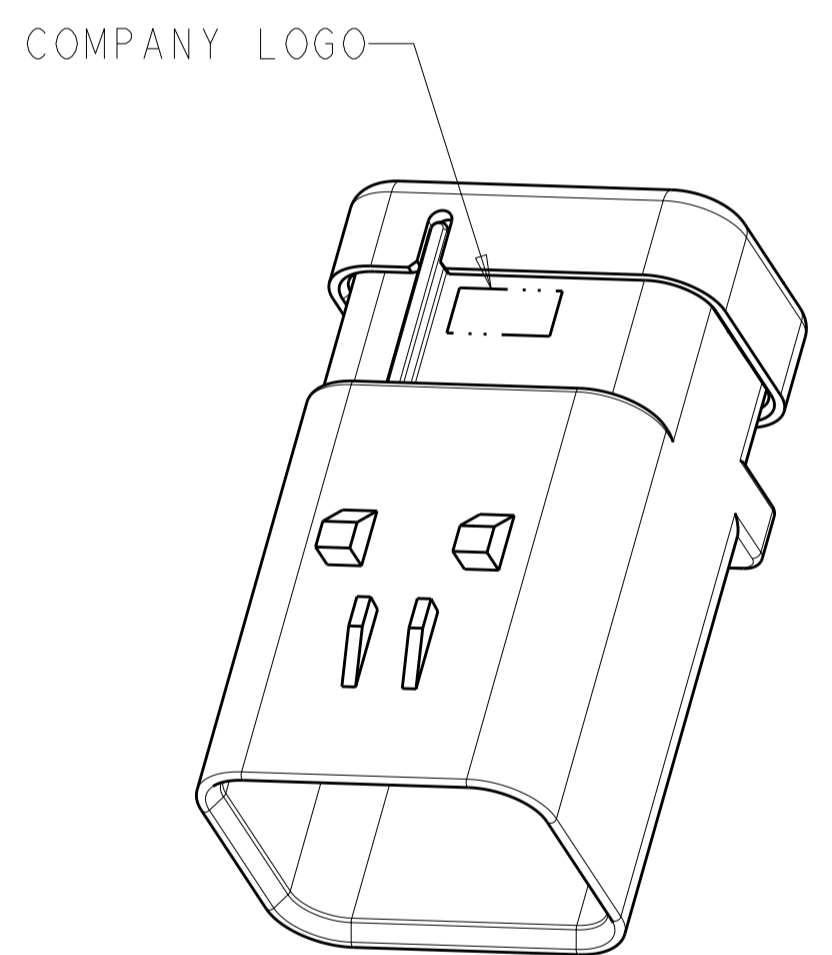
- ① MATERIAL: 15% GLASS FILLED THERMOPLASTIC  
COLOR: BLACK
  - ② MATERIAL: 15% GLASS FILLED THERMOPLASTIC  
COLOR: (SEE TABLE)
  - ③ MATERIAL: SILICONE  
COLOR: ORANGE
4. RECOMMENDED WIRE DIAMETER RANGE IS 1.30 TO 2.54mm



776538-1 SHOWN



SECTION A-A



SCALE 2:1

GREEN	776538-4
YELLOW	776538-3
GRAY	776538-2
RED	776538-1
TPA COLOR	PART NUMBER

THIS DRAWING IS A CONTROLLED DOCUMENT.		DWN Y. PETERSON 17DEC02	TE Connectivity				
DIMENSIONS: mm		CHK R. GREINER 17DEC02					
TOLERANCES UNLESS OTHERWISE SPECIFIED:		APVD R. GREINER 17DEC02	NAME CAP ASSEMBLY, 8 POSITION, 2 ROW, AMPSEAL 16 CONNECTOR REDUCED DIA WIRE SEAL				
0 PLC ± 1 PLC ± 2 PLC ± 3 PLC ± 4 PLC ± ANGLES ± FINISH		PRODUCT SPEC -	SIZE A2	CAGE CODE 00779	DRAWING NO 776538	RESTRICTED TO -	
MATERIAL -		APPLICATION SPEC 114-13065	SCALE 2:1		SHEET 1	OF 1	REV B4
CUSTOMER DRAWING		WEIGHT -					