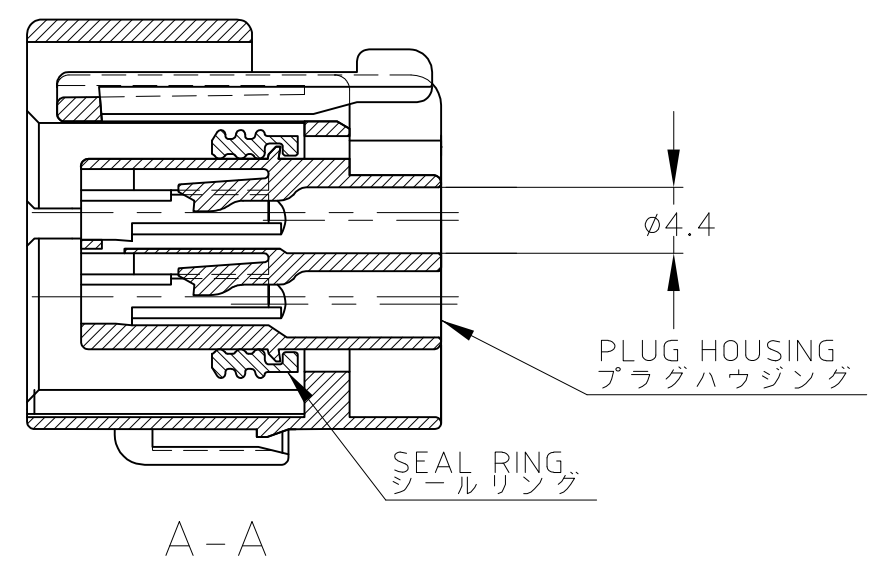
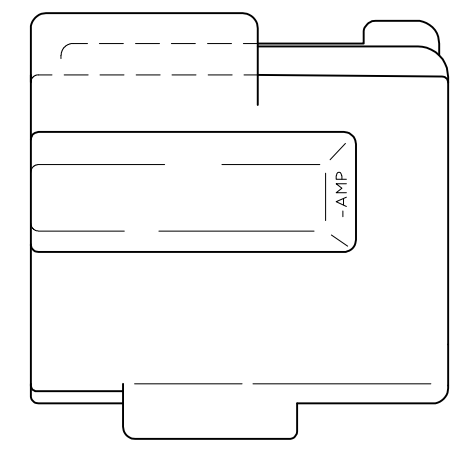
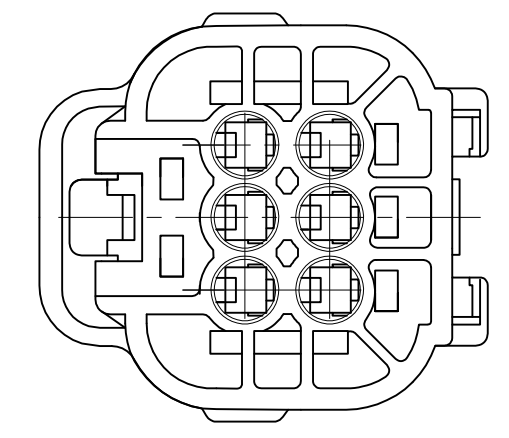
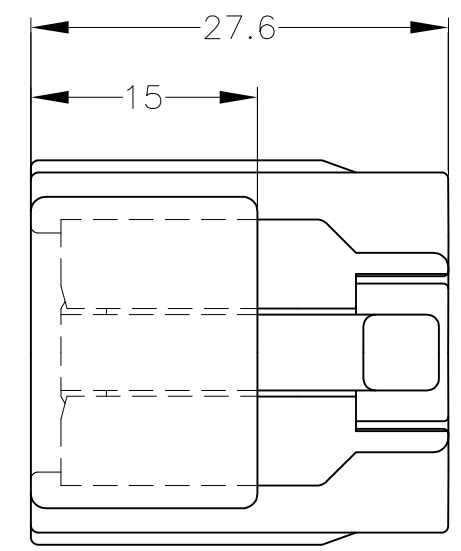
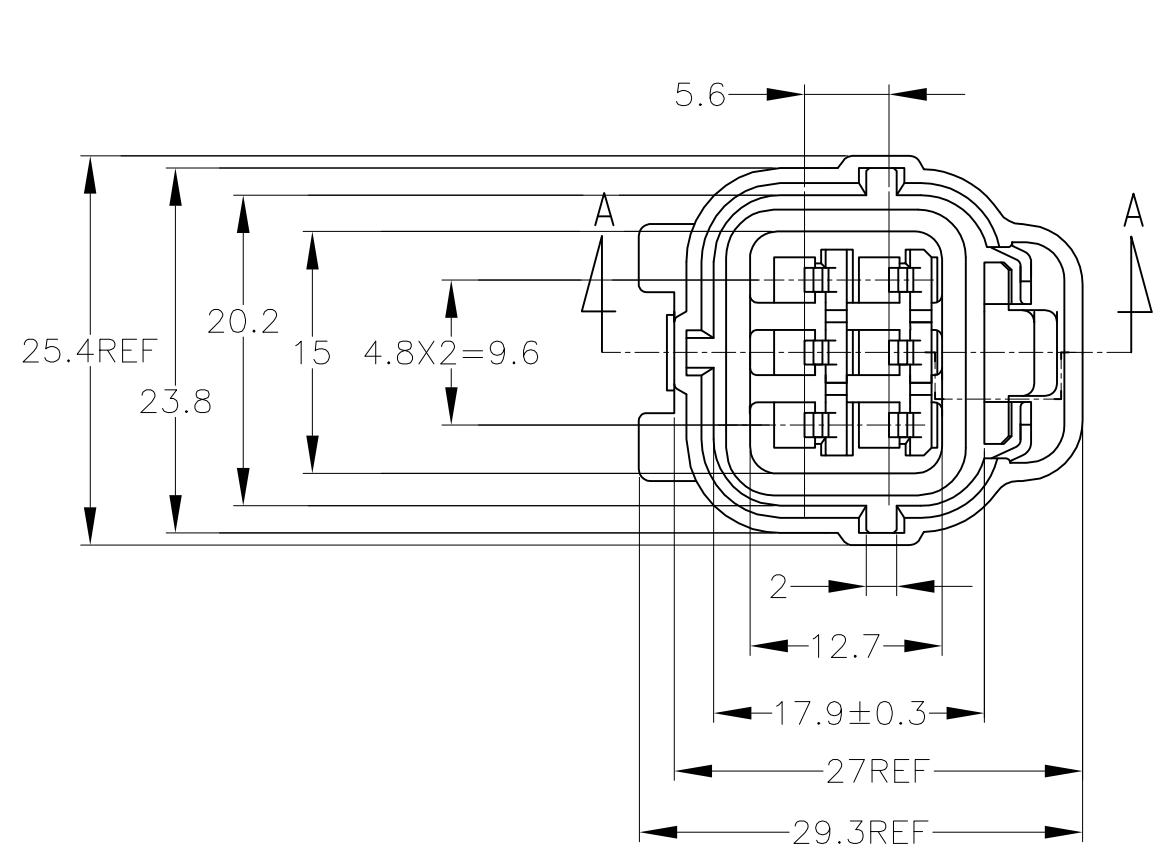


THIS DRAWING IS UNPUBLISHED. RELEASED FOR PUBLICATION
 © COPYRIGHT 2014 By Tyco Electronics Japan G.K. ALL RIGHTS RESERVED.

LOC	DIST	REVISIONS 変更					
J	—	P	LTR	DESCRIPTION	DATE	DWN	APVD
		A		RELEASED	23APR14	DM	TK



- 1. 嵌合相手型番：174264, 173920
 - 2. 本製品はプラグハウジング単体にシールリングがアッセンブリされたものである。
 - 3. 本製品はダブルロックプレート型番 174263を装着して使用する。
 - 4. シールリングはフタル酸フリー品である。
-
- 1. FOR CAP HOUSING PN 174264, 173920
 - 2. THIS PRODUCTS IS COMPOSED OF PLUG HOUSING AND SEAL RING
 - 3. THIS PRODUCTS MUST BE USED WITH DOUBLE LOCK PLATE PN 174263
 - 4. SEAL RING IS NON-BIS TYPE

黒 (BLACK)	2822346-1
色 (COLOR)	P/N

TOLERANCE UNLESS OTHERWISE SPECIFIED: 一般公差

0 < x ≤ 10	: ±0.2
10 < x ≤ 30	: ±0.25
30 < x ≤ 100	: ±0.3
ANGLE ; 角度	: ±3°

THIS DRAWING IS A CONTROLLED DOCUMENT.		DWN D.MATSUURA 23APR2014	TE Connectivity 6Pos. ECONOSEAL J-MARK-II+ CONNECTOR PLUG HOUSING											
DIMENSIONS: 単位： 耗 mm		CHK T.KOHNO 23APR2014												
TOLERANCES UNLESS OTHERWISE SPECIFIED: 一般公差		APVD T.KOHNO 23APR2014												
<table border="1"> <tr> <td>0 PLC</td><td>± -</td></tr> <tr> <td>1 PLC</td><td>± -</td></tr> <tr> <td>2 PLC</td><td>± -</td></tr> <tr> <td>3 PLC</td><td>± -</td></tr> <tr> <td>4 PLC</td><td>± -</td></tr> <tr> <td>ANGLES</td><td>± -</td></tr> </table>		0 PLC				± -	1 PLC	± -	2 PLC	± -	3 PLC	± -	4 PLC	± -
0 PLC	± -													
1 PLC	± -													
2 PLC	± -													
3 PLC	± -													
4 PLC	± -													
ANGLES	± -													
MATERIAL 材料 PBT		PRODUCT SPEC 製品規格 108-5262	FINISH 仕上	SIZE	CAGE CODE	DRAWING NO 番号	RESTRICTED TO							
		APPLICATION SPEC 取付適用規格	WEIGHT 9.3 g	A3	00779	G-2822346	—							
		CUSTOMER DRAWING	SCALE 尺度 2:1	SHEET 1 OF 2		REV A								

THIS DRAWING IS UNPUBLISHED.

RELEASED FOR PUBLICATION

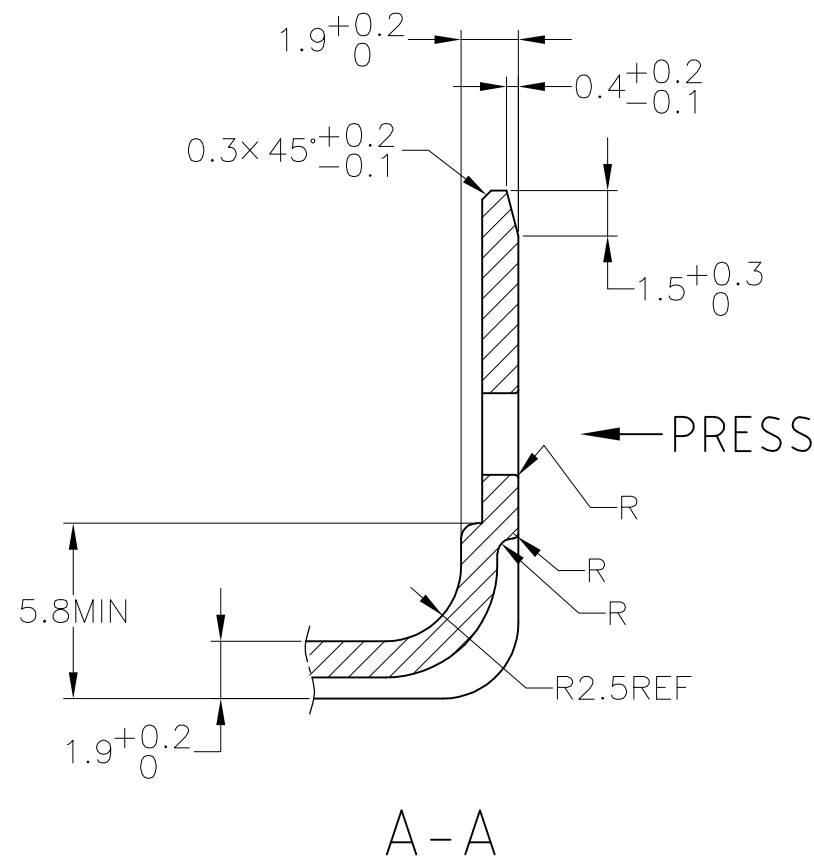
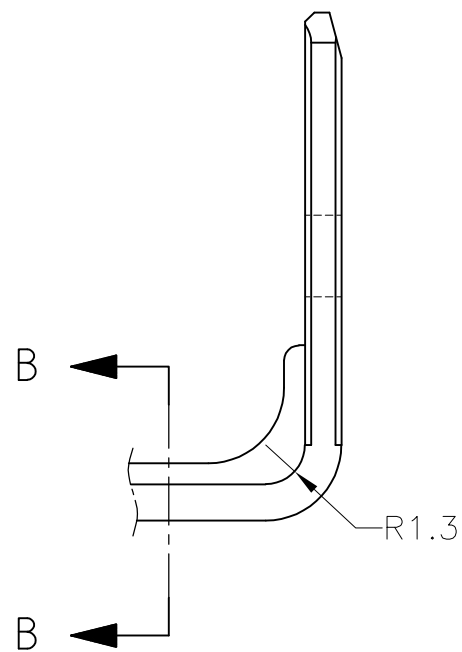
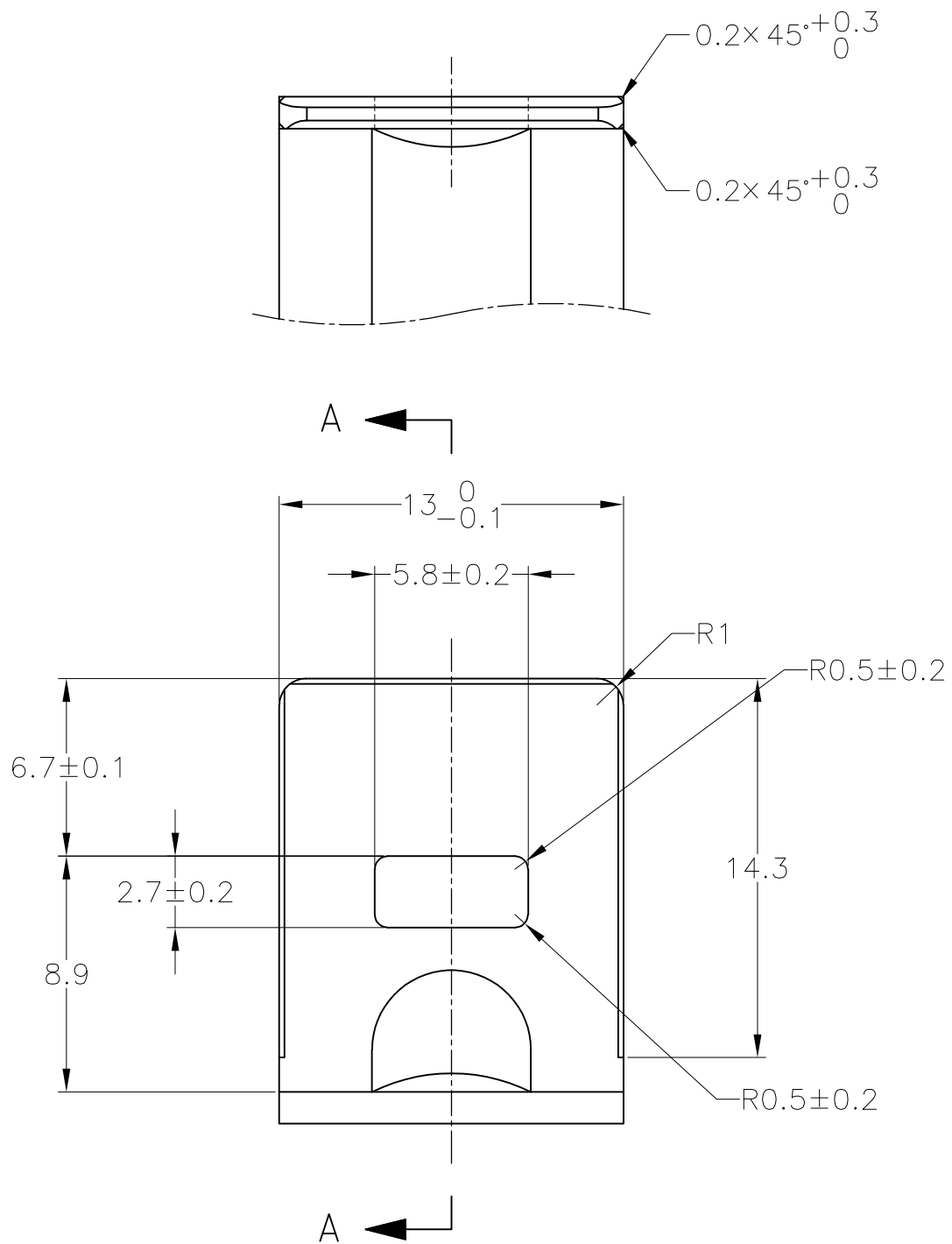
-. -. .

© COPYRIGHT 2014 By Tyco Electronics Japan G.K.

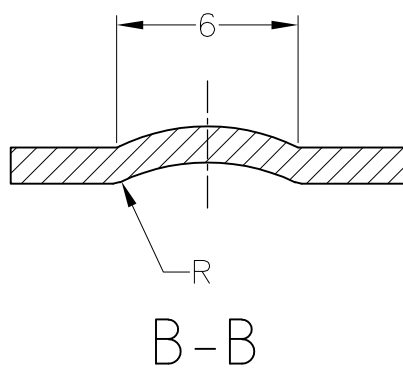
ALL RIGHTS RESERVED.

LOC	DIST	REVISIONS					
J	-	P	LTR	DESCRIPTION	DATE	DWN	APVD
		-		SEE SHEET 1	-	-	-

ブラケット推奨寸法図
RECOMMENDED DIMENSION OF BRACKET



t = 1.2 ± 0.08



TOLERANCE UNLESS OTHERWISE SPECIFIED:
一般公差

0 < x ≤ 10	: ±0.2
10 < x ≤ 30	: ±0.25
30 < x ≤ 100	: ±0.3
ANGLE ; 角度	: ±3°

THIS DRAWING IS A CONTROLLED DOCUMENT.

DIMENSIONS:
単位: 耗
mm

TOLERANCES UNLESS OTHERWISE SPECIFIED:
一般公差

0 PLC	± -
1 PLC	± -
2 PLC	± -
3 PLC	± -
4 PLC	± -
ANGLES	± -

MATERIAL
材料

FINISH
仕上

DWN	D.MATSUURA	23APR2014
CHK	T.KOHNO	23APR2014
APVD	T.KOHNO	23APR2014
PRODUCT SPEC	製品規格	
APPLICATION SPEC	取付適用規格	
WEIGHT	-	

TE Connectivity		NAME 名称	
		6Pos. ECONOSEAL J-MARK-II+ CONNECTOR PLUG HOUSING	
SIZE	CAGE CODE	DRAWING NO 番号	RESTRICTED TO
A3	00779	C-2822346	-

CUSTOMER DRAWING

SCALE
尺度 4:1

SHEET
2 OF 2

REV
A

Mouser Electronics

Authorized Distributor

Click to View Pricing, Inventory, Delivery & Lifecycle Information:

[TE Connectivity:](#)

[2822346-1](#)