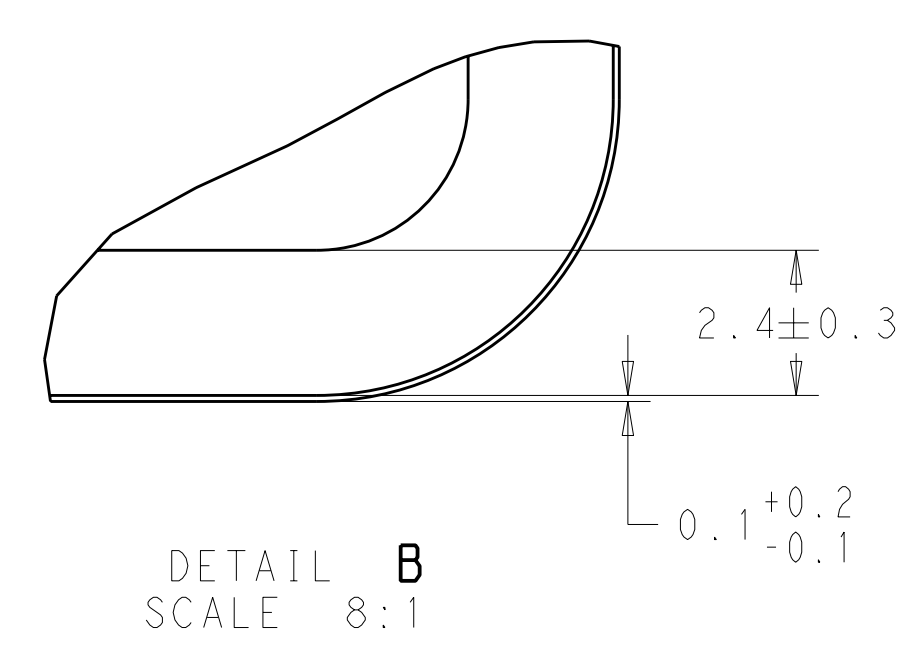
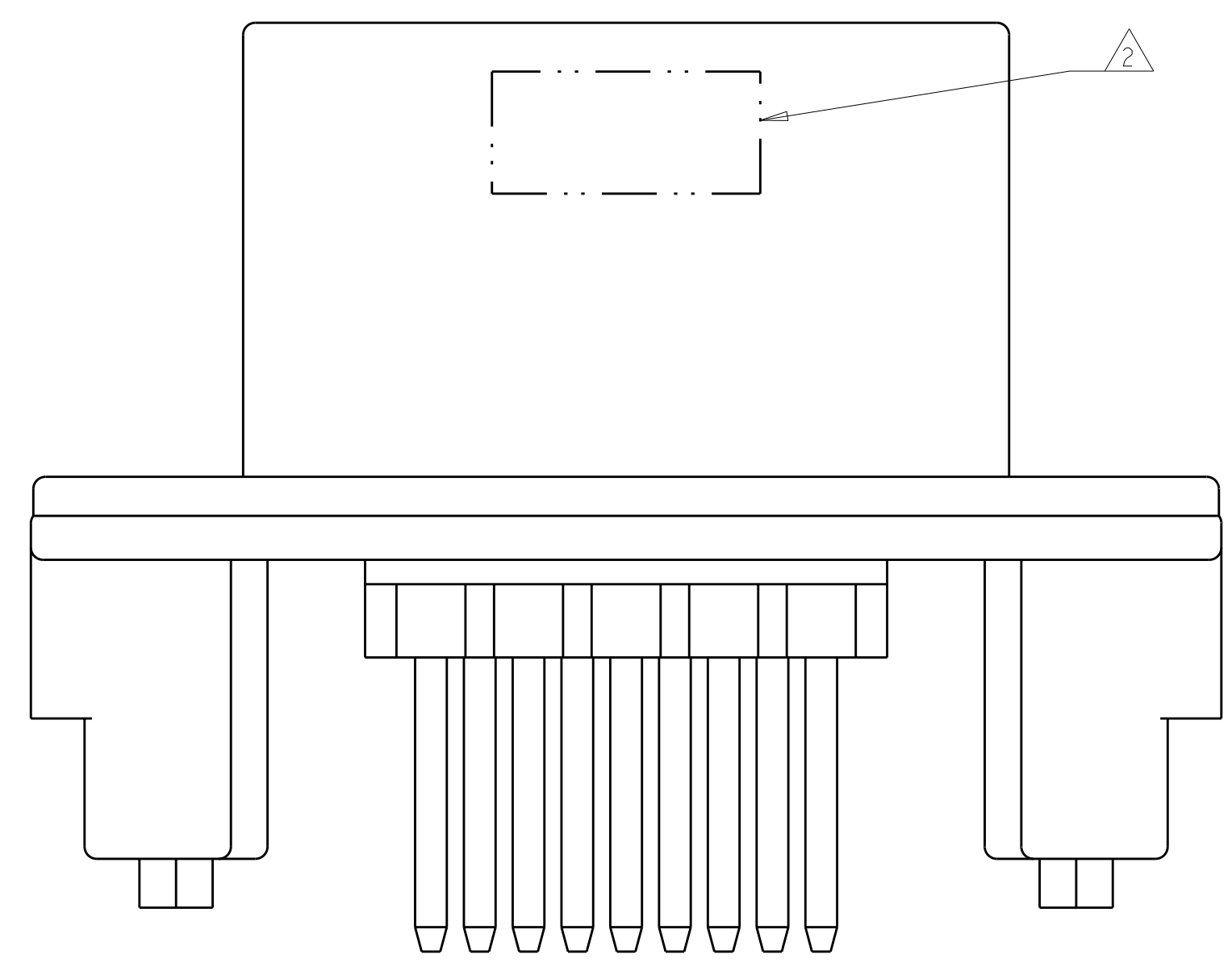
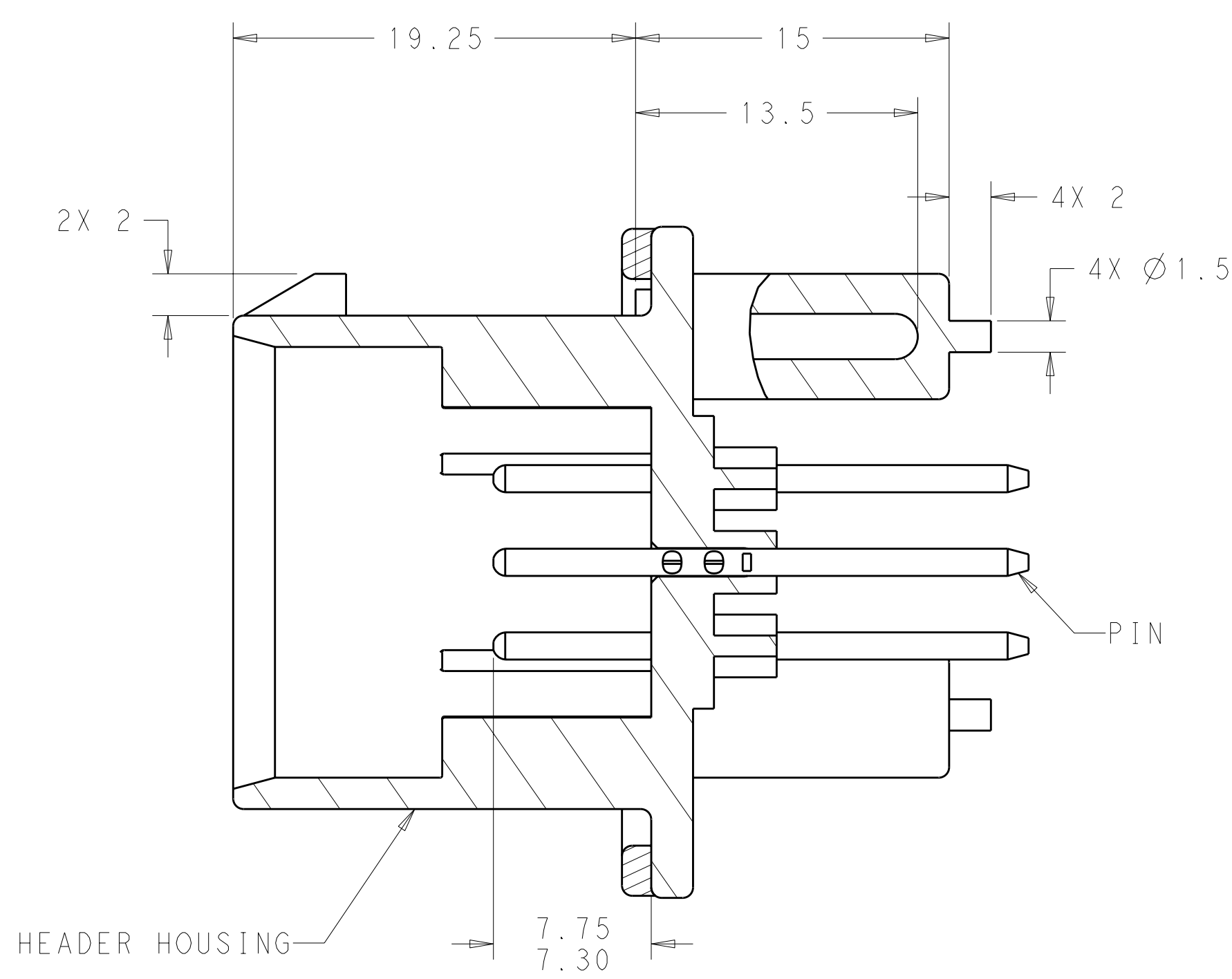
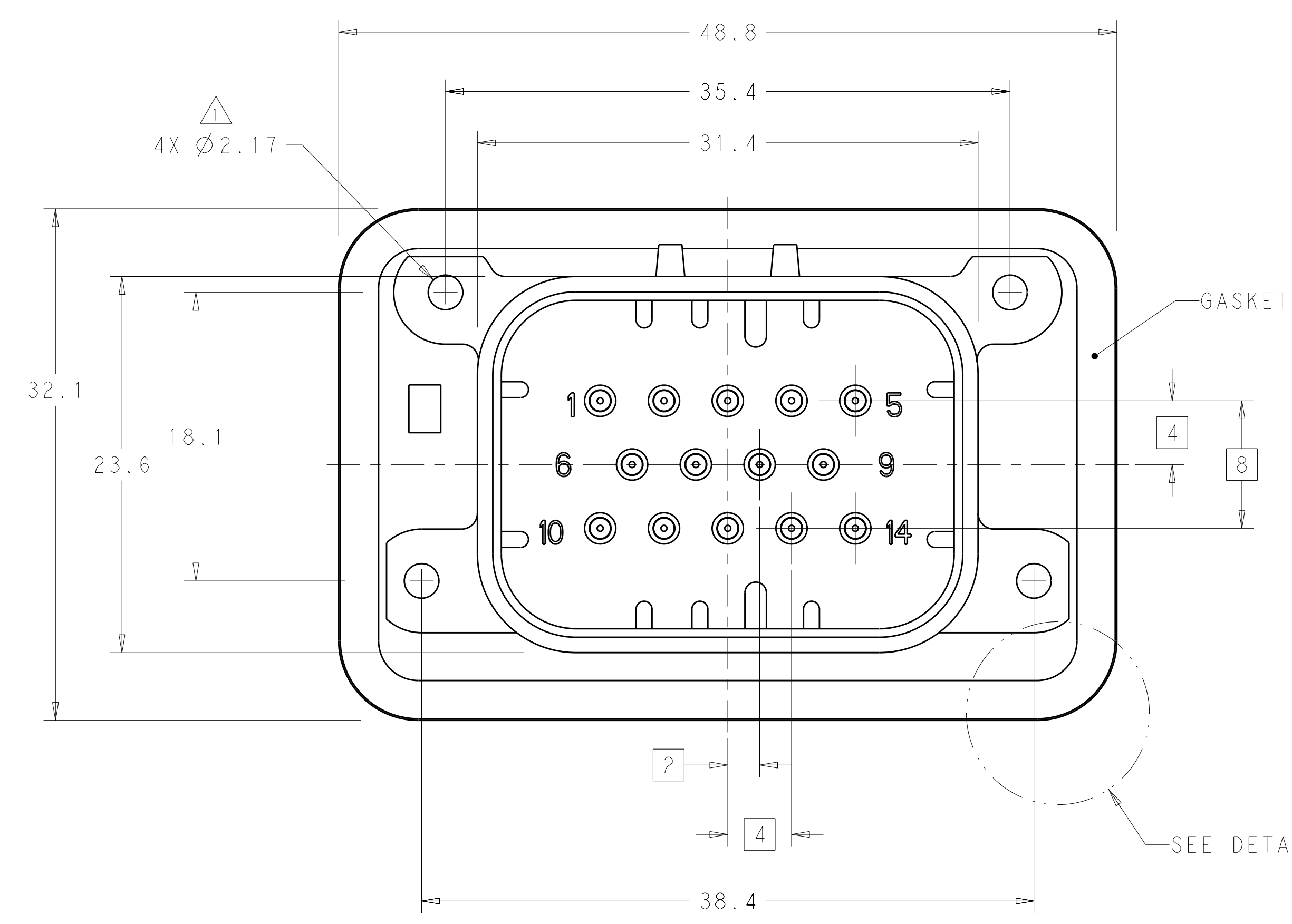


LOC	DIST	REVISIONS			
REV	DATE	DESCRIPTION	DATE	DWN	APVD
GE	00	A3	REVIS PER ECO-11-005030	11MAR2011	RK HMR

- 1 ACCEPTS #4 SELF TAPPING THREAD CUTTING SCREWS OR METRIC EQUIVALENT. DRIVE TO 0.6 N-m MAX
- 2 DATE CODE IN THIS LOCATION USING 5 DIGIT CODE
FIRST 2 DIGITS = YEAR, SECOND 2 DIGITS = WEEK
LAST DIGIT = DAY.
- 3 MATERIALS: HEADER HOUSING - GLASS FILLED PBT
PINS - TIN OR GOLD PLATED BRASS
GASKET - SILICONE
- 4 HOUSING COLORS ARE MECHANICALLY KEYS TO MATE ONLY WITH IDENTICALLY COLORED PLUG ASSEMBLIES.
- 5. HEADER MATES TO PLUG ASSEMBLY 776273 WHICH USES REELED TERMINAL 770520 OR LOOSE PIECE TERMINAL 770854

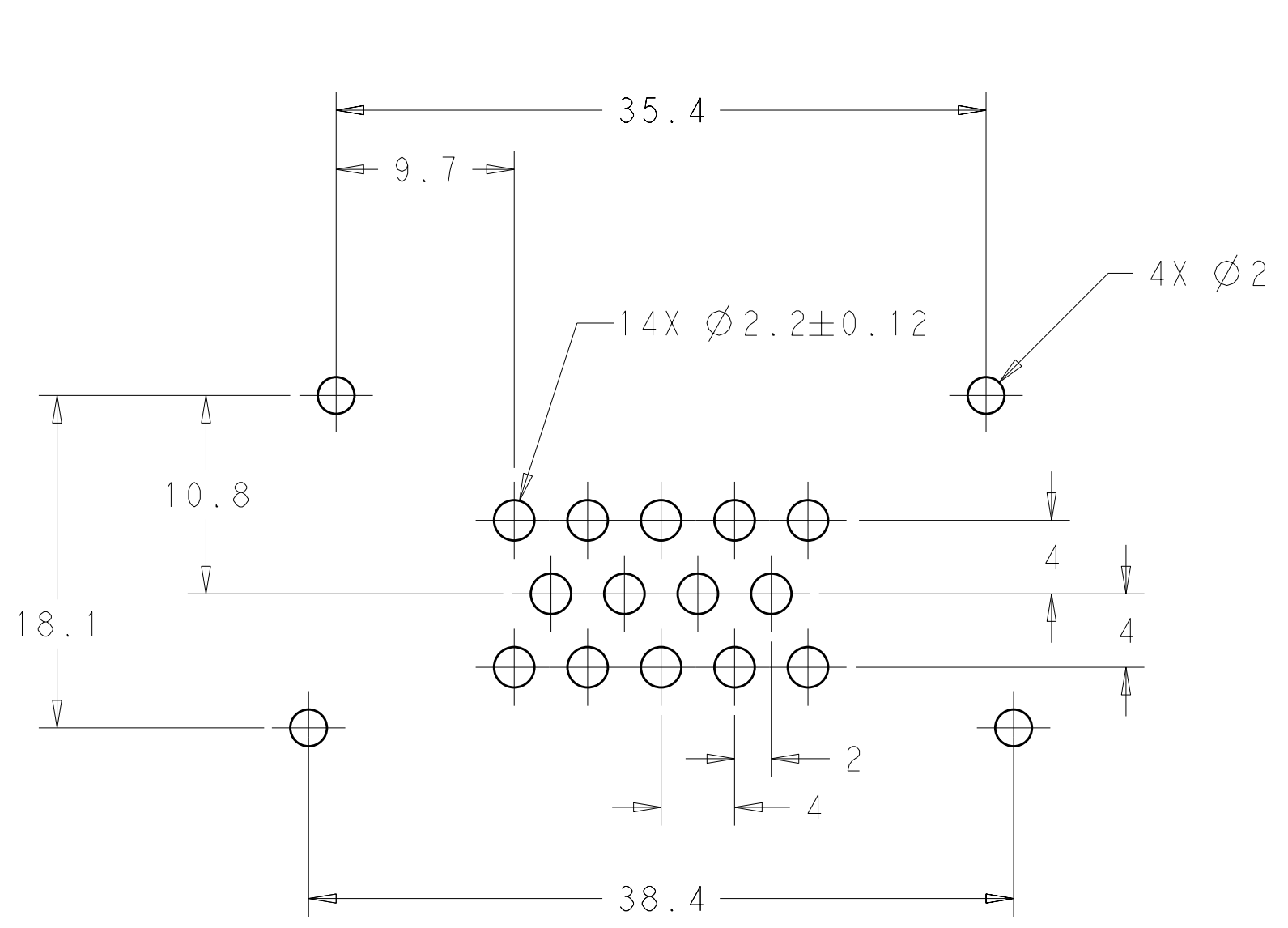


776262-1 & 1-776262-1 SHOWN

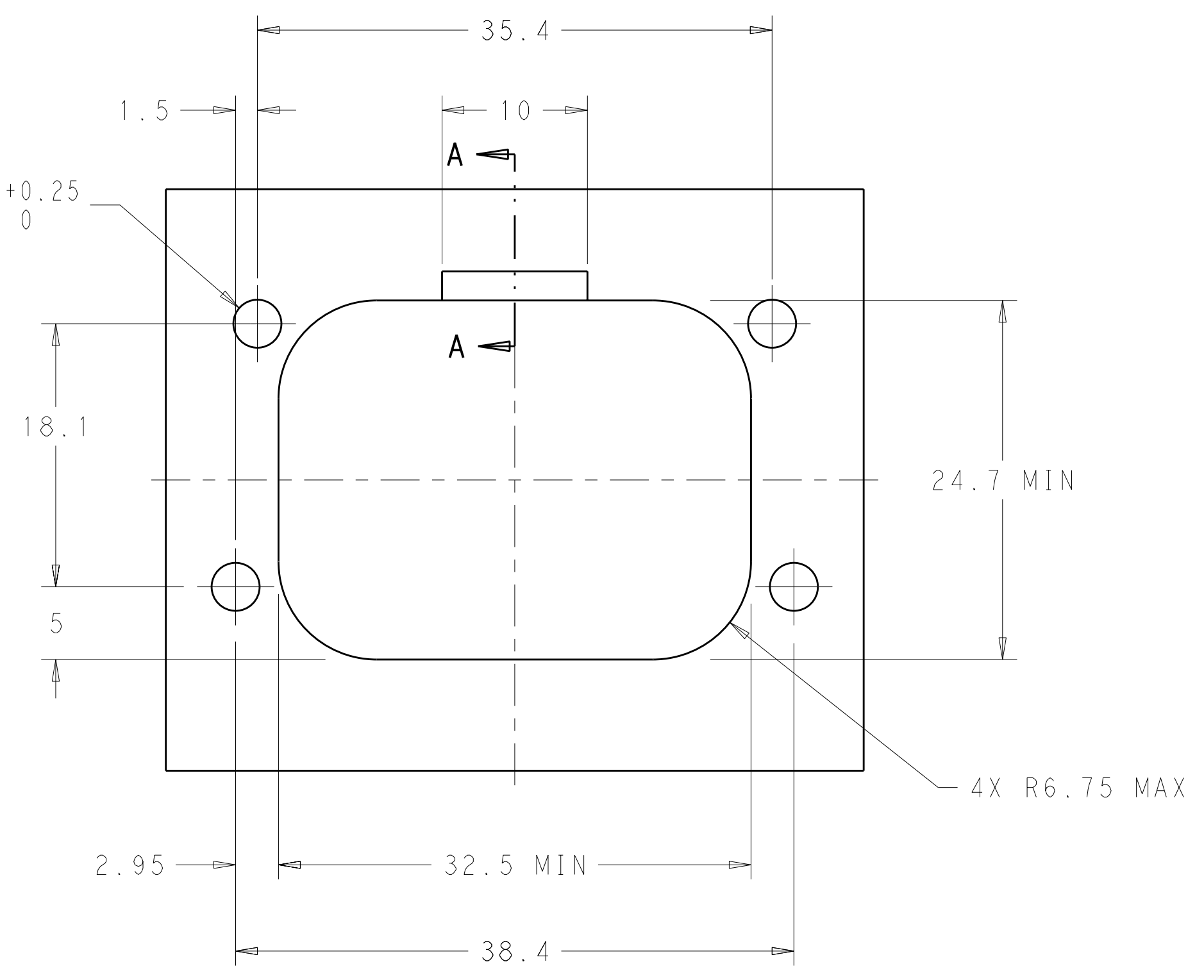
HEADER COLOR	PLATING	PART NUMBER
BLUE	DURAGOLD	1-776262-5
GRAY	DURAGOLD	1-776262-4
NATURAL	DURAGOLD	1-776262-2
BLACK	DURAGOLD	1-776262-1
BLUE	TIN	776262-5
GRAY	TIN	776262-4
NATURAL	TIN	776262-2
BLACK	TIN	776262-1

THIS DRAWING IS A CONTROLLED DOCUMENT.		DWN D. STRAUSSER 03MAR2010	NAME	
DIMENSIONS: mm		CHK D. STRAUSSER 22MAR2010	ASSEMBLY, HEADER, 14 POSITION, VERTICAL, AMPSEAL WITH FLANGE SEAL	
TOLERANCES UNLESS OTHERWISE SPECIFIED:		APVD D. STRAUSSER 27APR2010	PRODUCT SPEC	RESTRICTED TO
9 PLC ±		108-1329	SIZE	CAGE CODE
1 PLC ±0.2		114-16016	SCALE	1 OF 2
3 PLC ±0.13		WEIGHT	4:1	SHEET
5 PLC ±		CUSTOMER DRAWING	SCALE	1 OF 2
4 PLC ±			SCALE	1 OF 2
ANGLES ±4°			SCALE	1 OF 2
FINISH			SCALE	1 OF 2
3			SCALE	1 OF 2
3			SCALE	1 OF 2

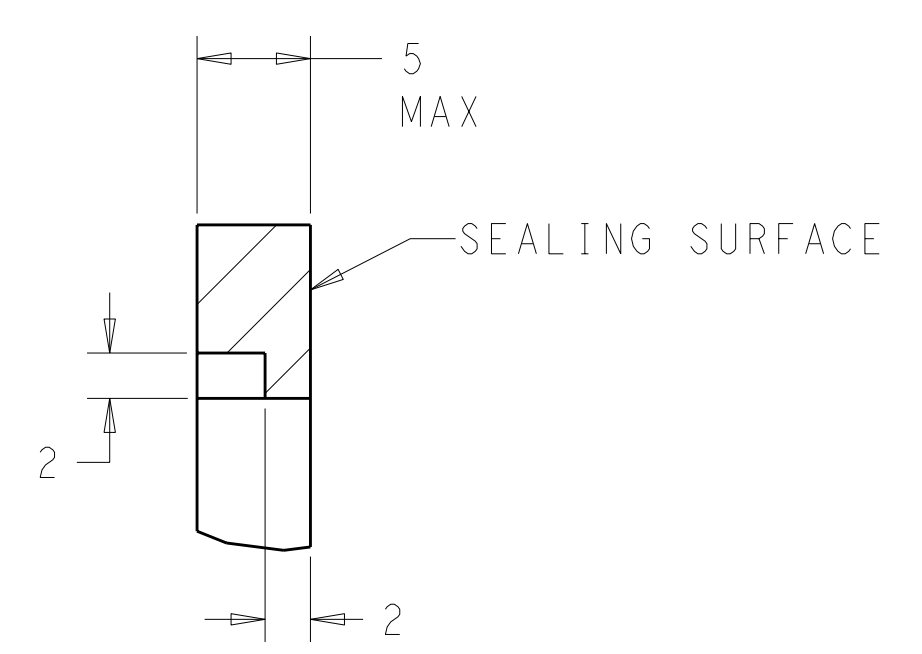
LOC	DIST	REVISIONS					
GE	00	P	LTR	DESCRIPTION	DATE	DWN	APVD
		-	-	SEE SHEET 1	-	-	-



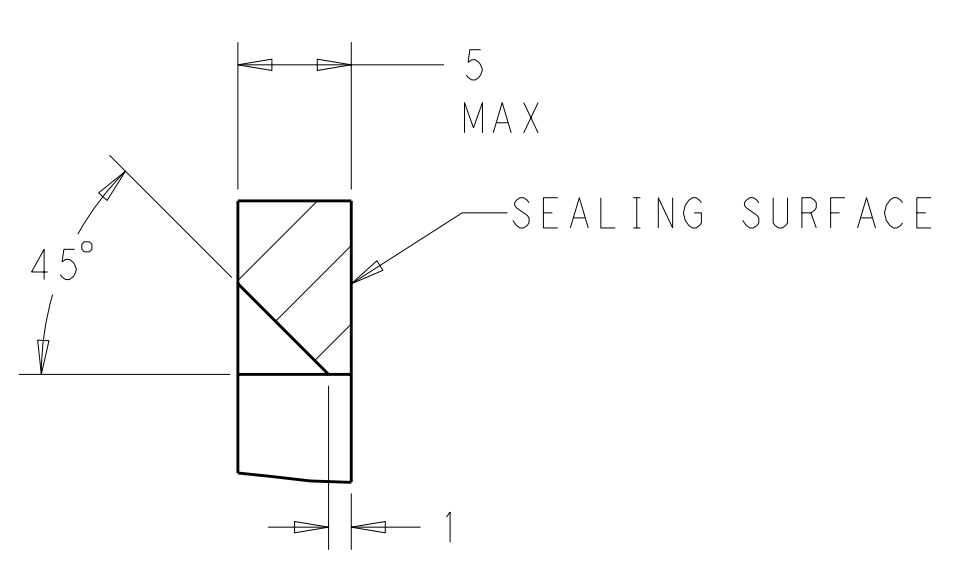
RECOMMENDED P.C. BOARD LAYOUT FOR 1.57 THICK P.C. BOARD



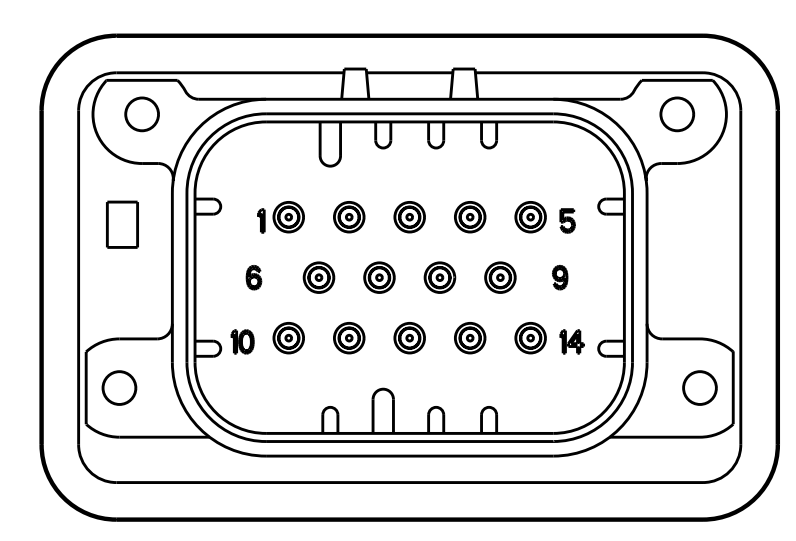
RECOMMENDED MOUNTING HOLE LAYOUT FOR 5.0 MAX THICK PANEL



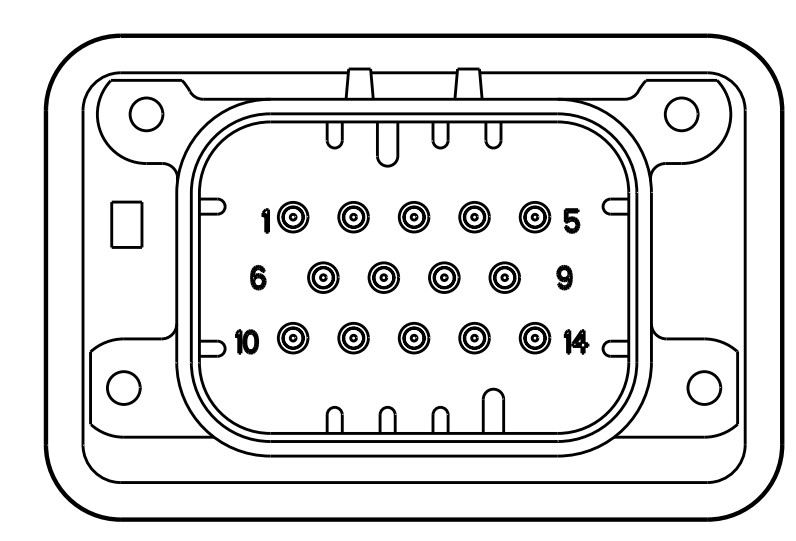
SECTION A-A
 OPTIONAL CONSTRUCTION IF PANEL THICKNESS IS GREATER THAN 2.0



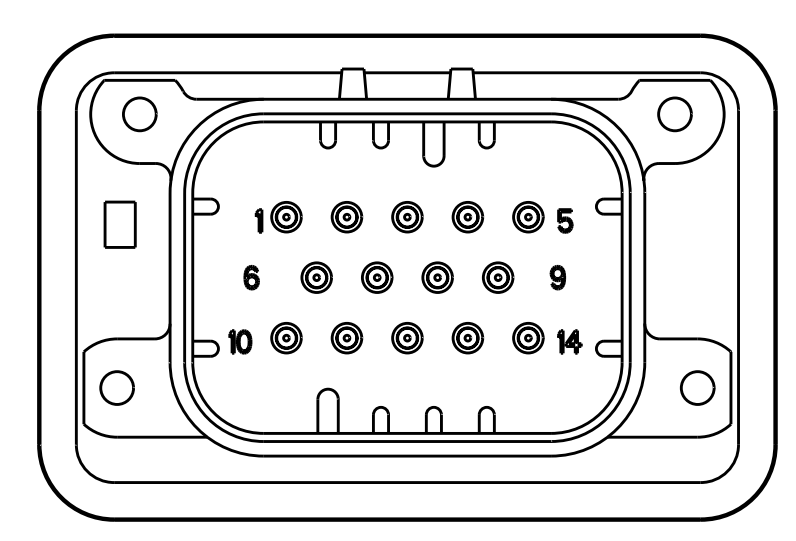
SECTION A-A
 OPTIONAL CONSTRUCTION IF PANEL THICKNESS IS GREATER THAN 2.0



776262-2 & 1-776262-2
 KEY LOCATION
 SCALE 2:1



776262-4 & 1-776262-4
 KEY LOCATION
 SCALE 2:1



776262-5 & 1-776262-5
 KEY LOCATION
 SCALE 2:1

THIS DRAWING IS A CONTROLLED DOCUMENT.		DWN: D. STRAUSSER 03MAR2010	TE Connectivity														
DIMENSIONS: mm		CHK: D. STRAUSSER 22MAR2010															
TOLERANCES UNLESS OTHERWISE SPECIFIED:		APVD: D. STRAUSSER 27APR2010	NAME: ASSEMBLY, HEADER, 14 POSITION, VERTICAL, AMPSEAL WITH FLANGE SEAL														
<table border="1"> <tr><td>9 PLC</td><td>±</td></tr> <tr><td>1 PLC</td><td>±0.2</td></tr> <tr><td>2 PLC</td><td>±0.13</td></tr> <tr><td>3 PLC</td><td>±</td></tr> <tr><td>4 PLC</td><td>±</td></tr> <tr><td>ANGLES</td><td>±4°</td></tr> <tr><td>FINISH</td><td>-</td></tr> </table>		9 PLC	±	1 PLC	±0.2	2 PLC	±0.13	3 PLC	±	4 PLC	±	ANGLES	±4°	FINISH	-	PRODUCT SPEC: 108-1329	SIZE: CAGE CODE DRAWING NO: A100779C-776262
9 PLC	±																
1 PLC	±0.2																
2 PLC	±0.13																
3 PLC	±																
4 PLC	±																
ANGLES	±4°																
FINISH	-																
MATERIAL: -		APPLICATION SPEC: 114-16016	RESTRICTED TO: -														
CUSTOMER DRAWING		WEIGHT: -	SCALE: 2:1 SHEET 2 OF 2 REV A3														