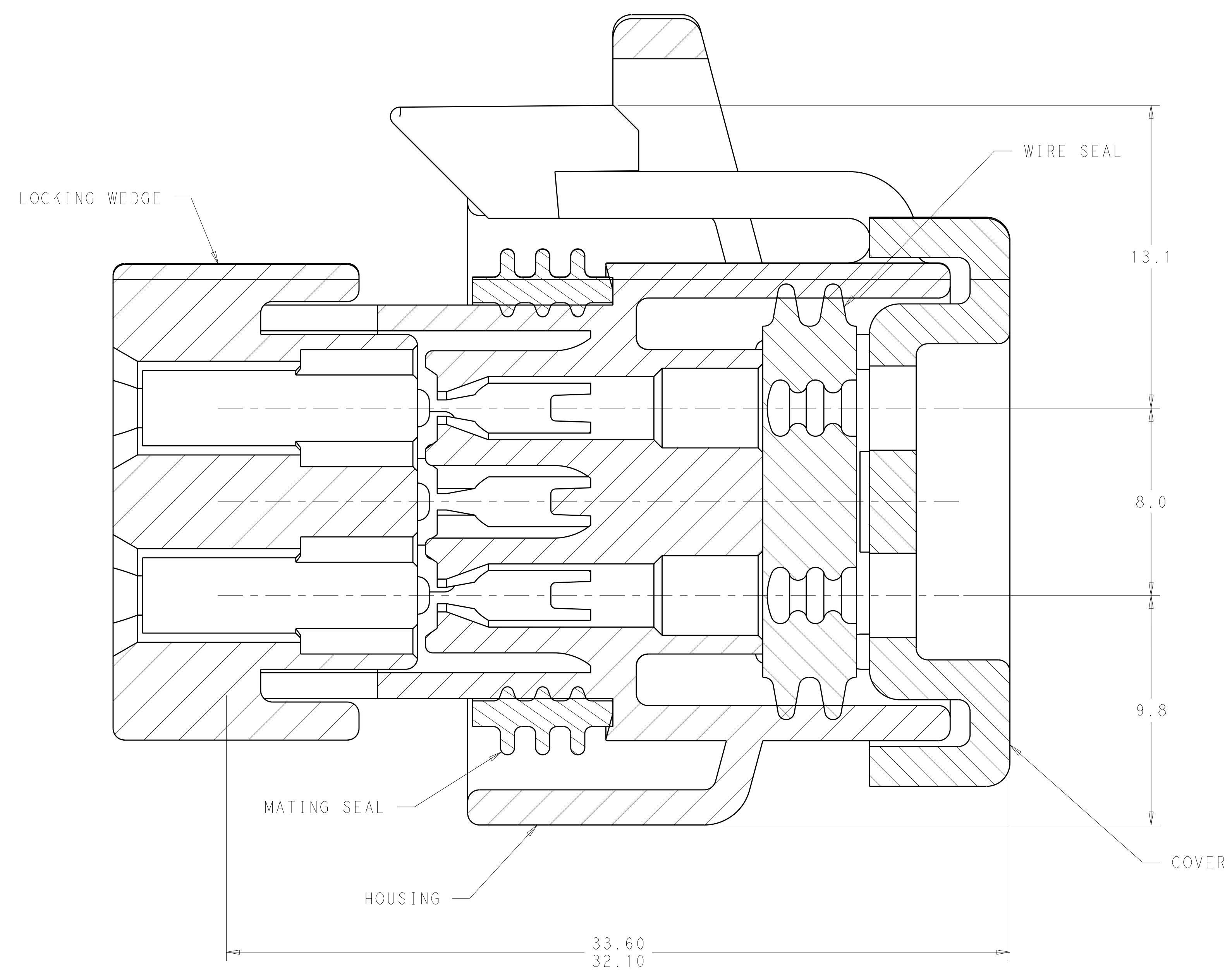
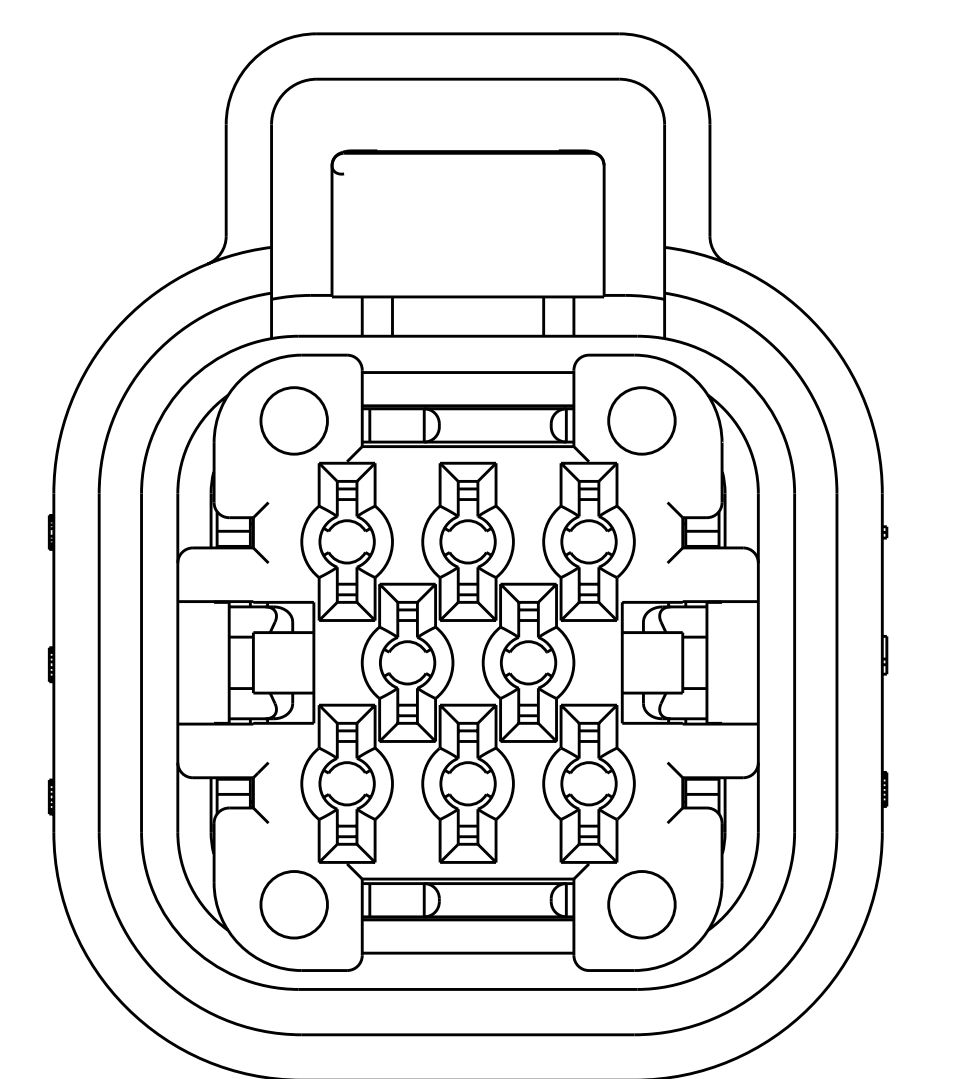
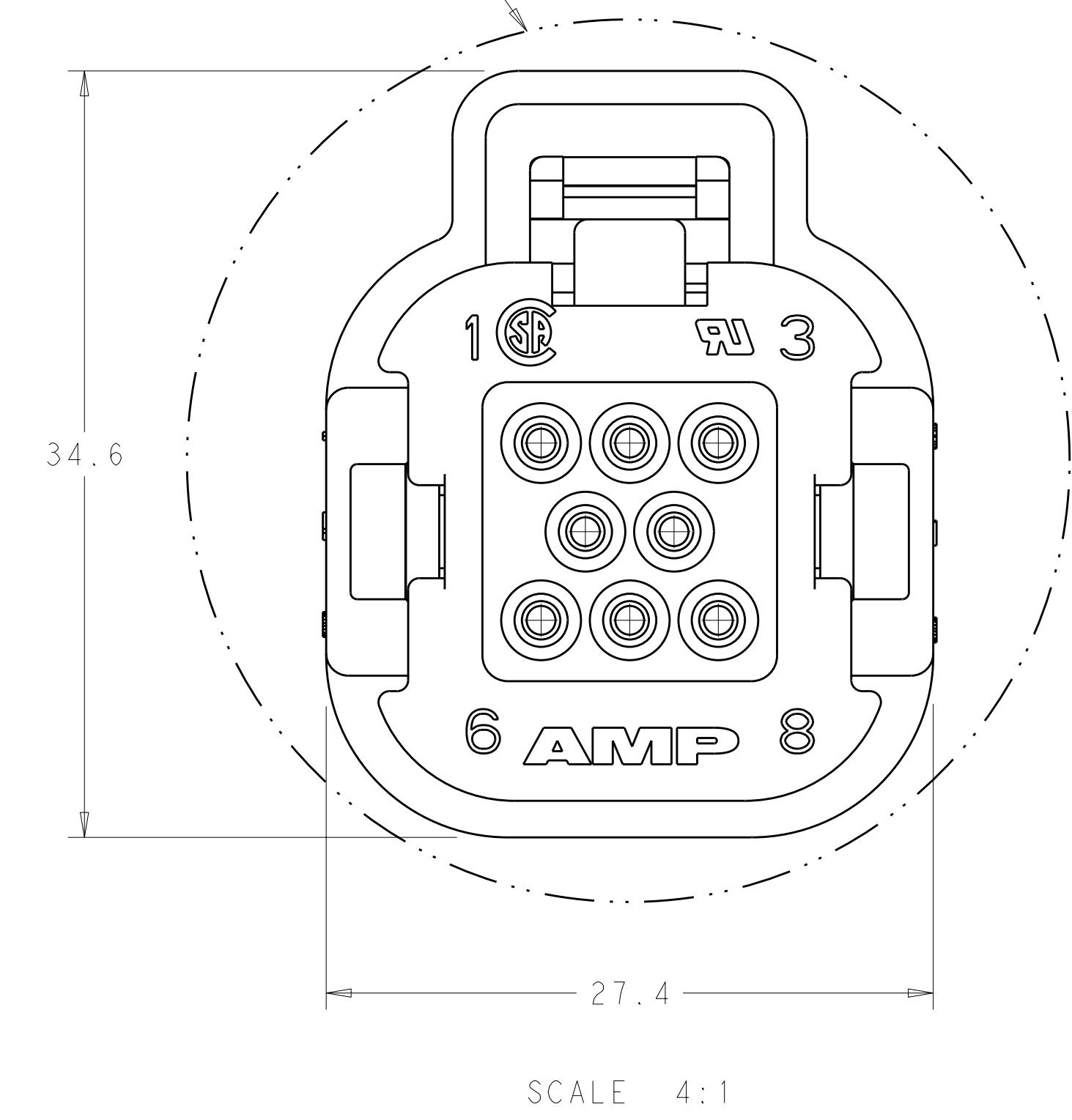


LOC	DIST	REVISIONS				
HK	00	REV	DESCRIPTION	DATE	DWN	APVD
		D2	REVISED PER ECO-11-005264	22MAR2011	DLD	DCS
		E	REVISED PER ECO-11-010900	31MAY2011	DLD	DCS

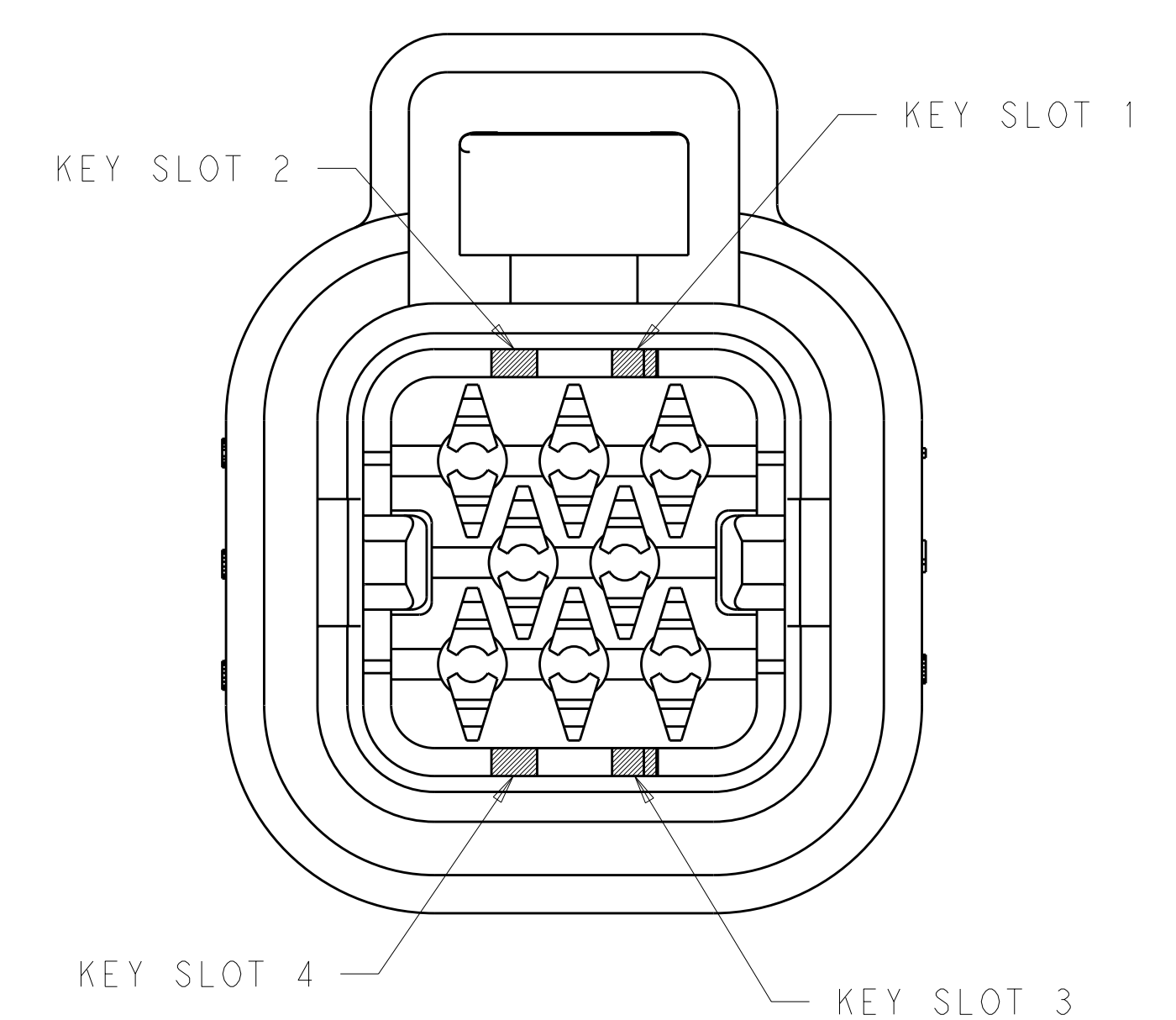


ASSEMBLY WILL PASS THRU Ø66 OPENING

⚠ HOUSING COLORS ARE MECHANICALLY KEYED TO MATE WITH IDENTICALLY COLORED HEADER ASSEMBLIES.



BOTTOM VIEW WITH LOCKING WEDGE
SCALE 4:1



KEY SLOT LOCATIONS
SCALE 4:1

1 & 3	776286-2
2 & 4	776286-1
KEY SLOT LOCATION (SEE VIEW ABOVE)	PART NUMBER

GLASS FILLED PBT, BLACK	SILICONE RUBBER, YELLOW	SILICONE RUBBER, YELLOW	PBT, RED	PBT, NATURAL	776286-2
				PBT, BLACK	776286-1
COVER	WIRE SEAL	MATING SEAL	LOCKING WEDGE	HOUSING	PART NUMBER
THIS DRAWING IS A CONTROLLED DOCUMENT.			DWN R. VESTAL 08SEP2009		
DIMENSIONS: mm			CHK D. STRAUSSER 08SEP2009		
TOLERANCES UNLESS OTHERWISE SPECIFIED:			APVD D. STRAUSSER 08SEP2009		
9 PLC ±			PRODUCT SPEC		
1 PLC ±0.2			108-1329		
2 PLC ±			APPLICATION SPEC		
3 PLC ±			114-16016		
4 PLC ±			WEIGHT		
ANGLES ±			FINISH		
MATERIAL SEE TABLE			CUSTOMER DRAWING		
			SIZE CAGE CODE DRAWING NO RESTRICTED TO		
			A100779C-776286		
			SCALE 8:1 SHEET 1 OF 1 REV E		