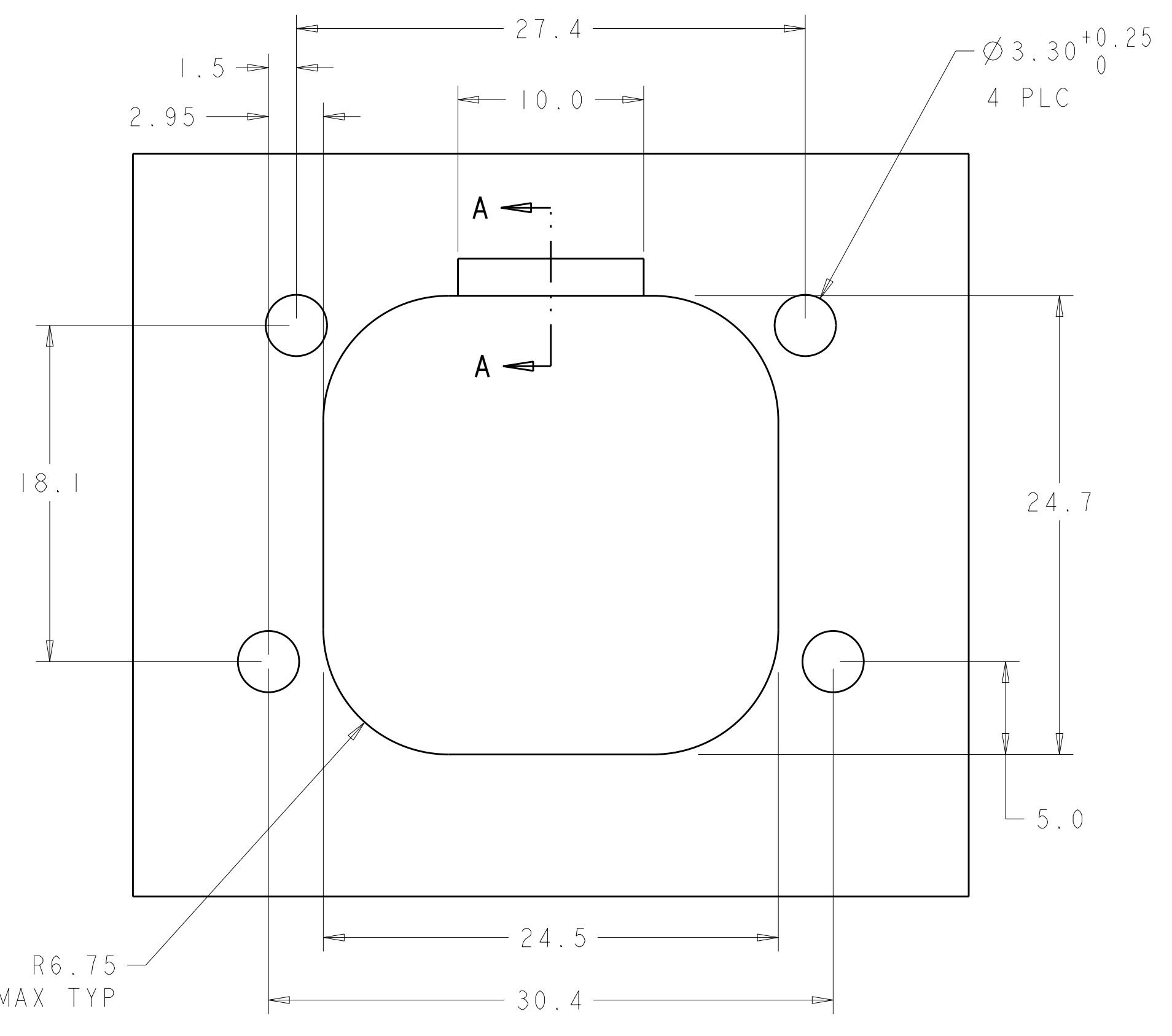
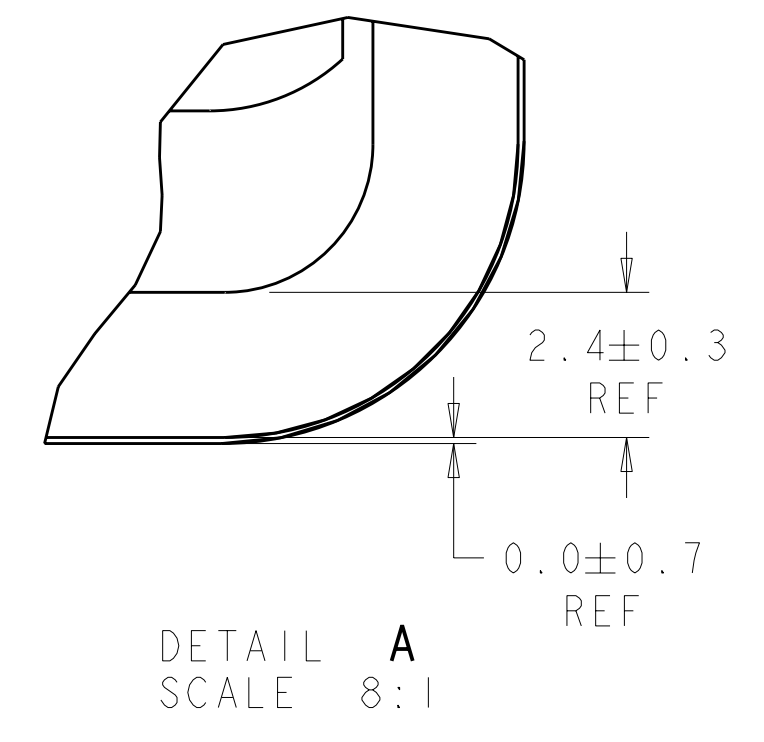
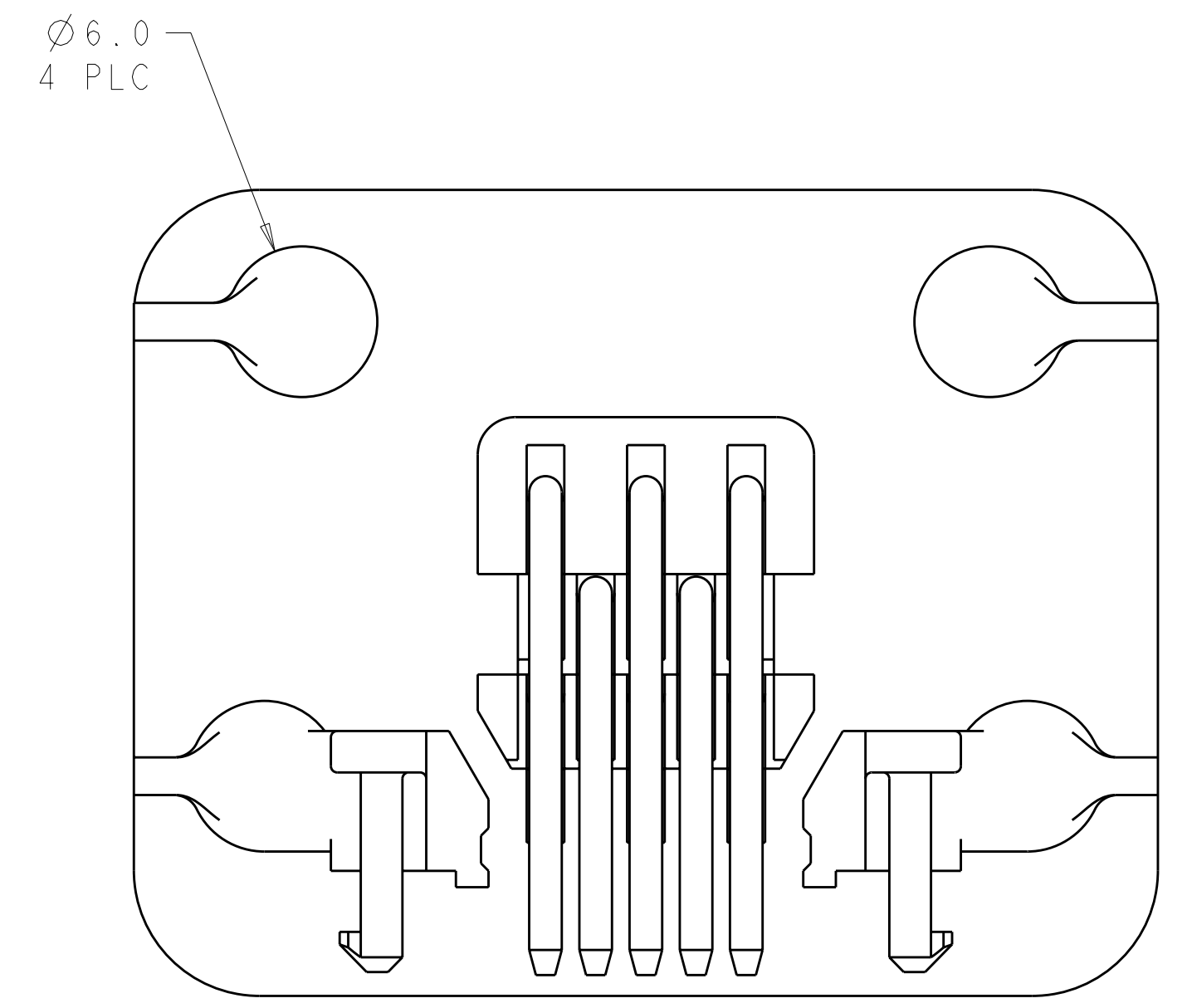
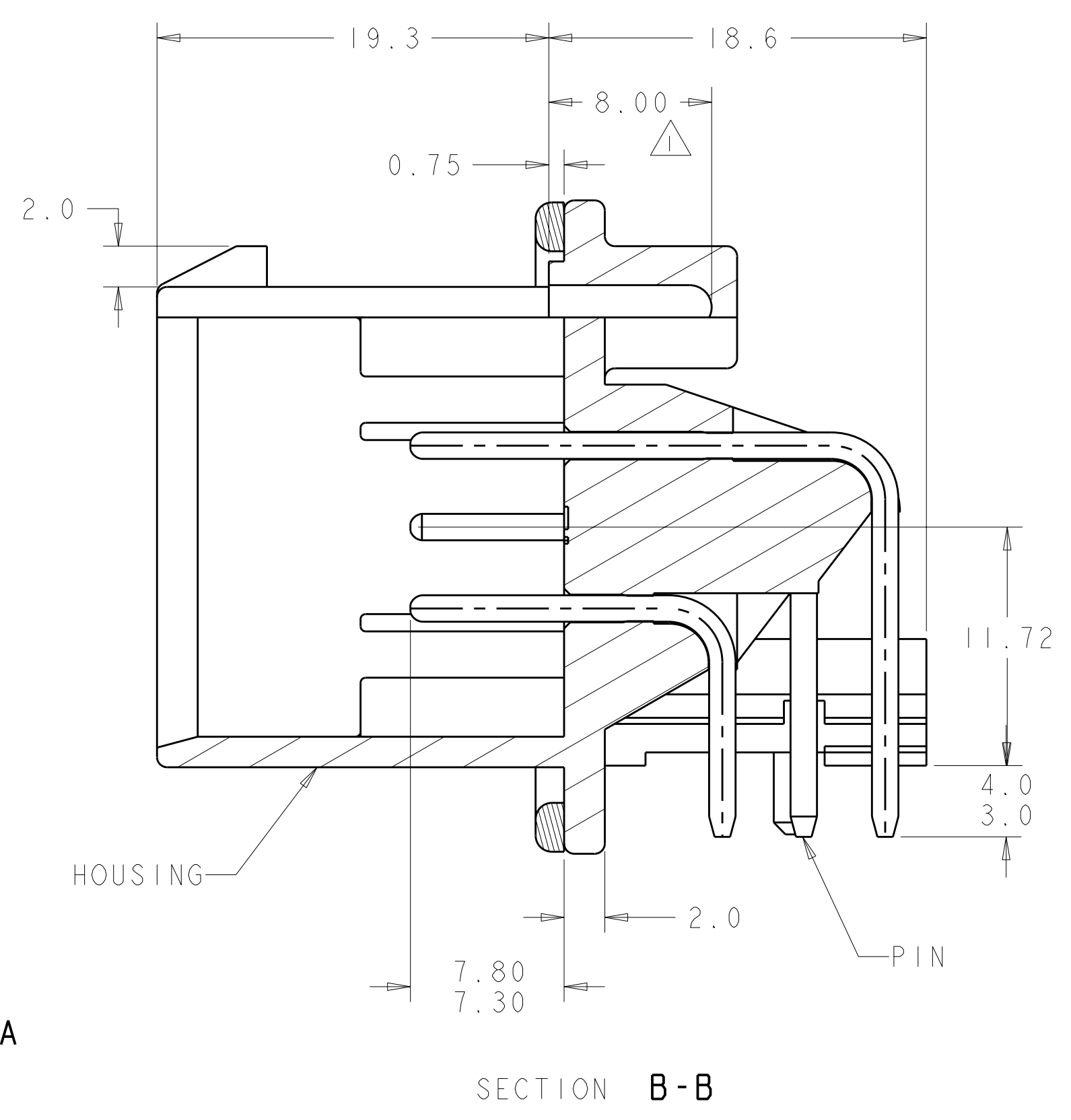
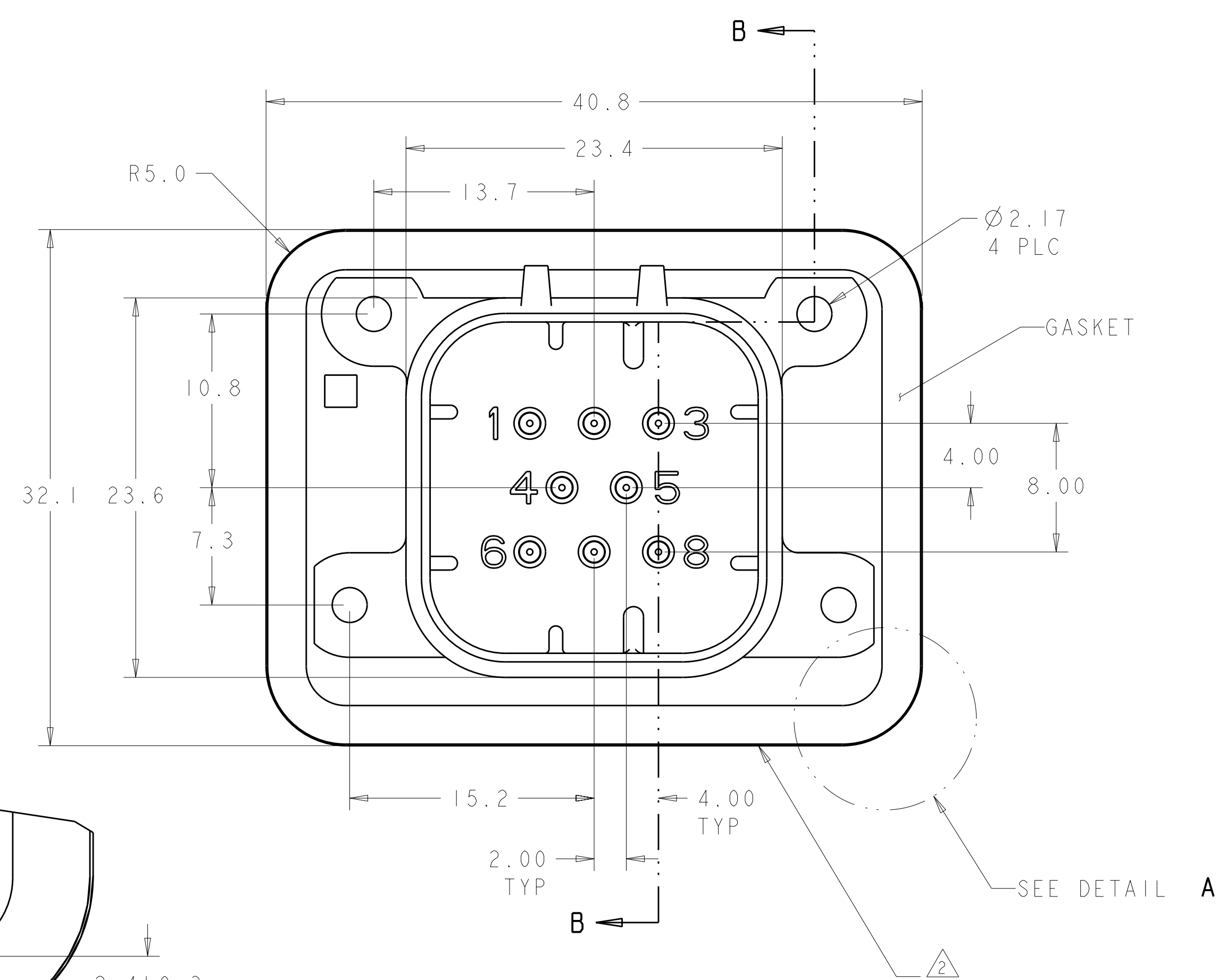
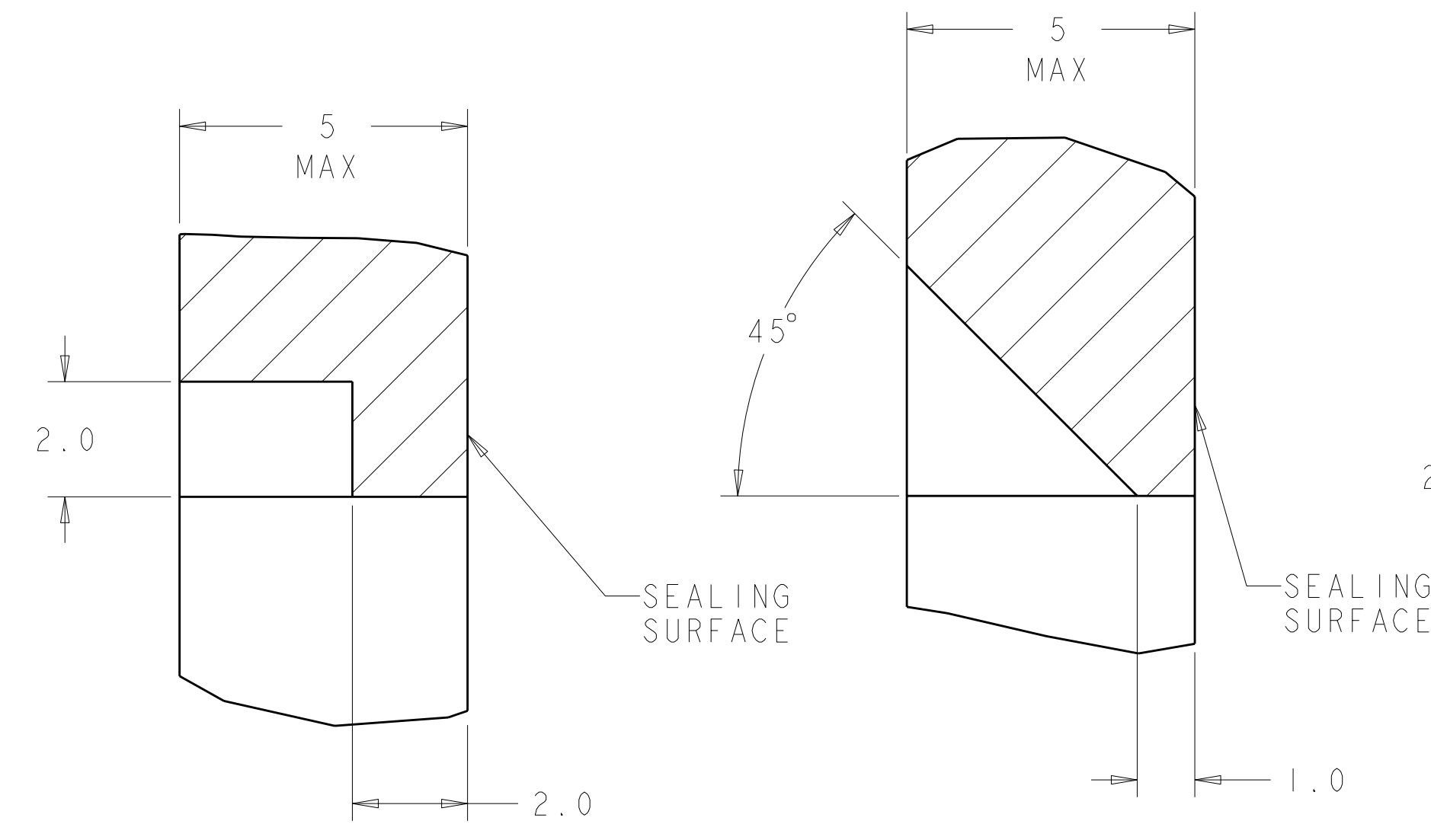


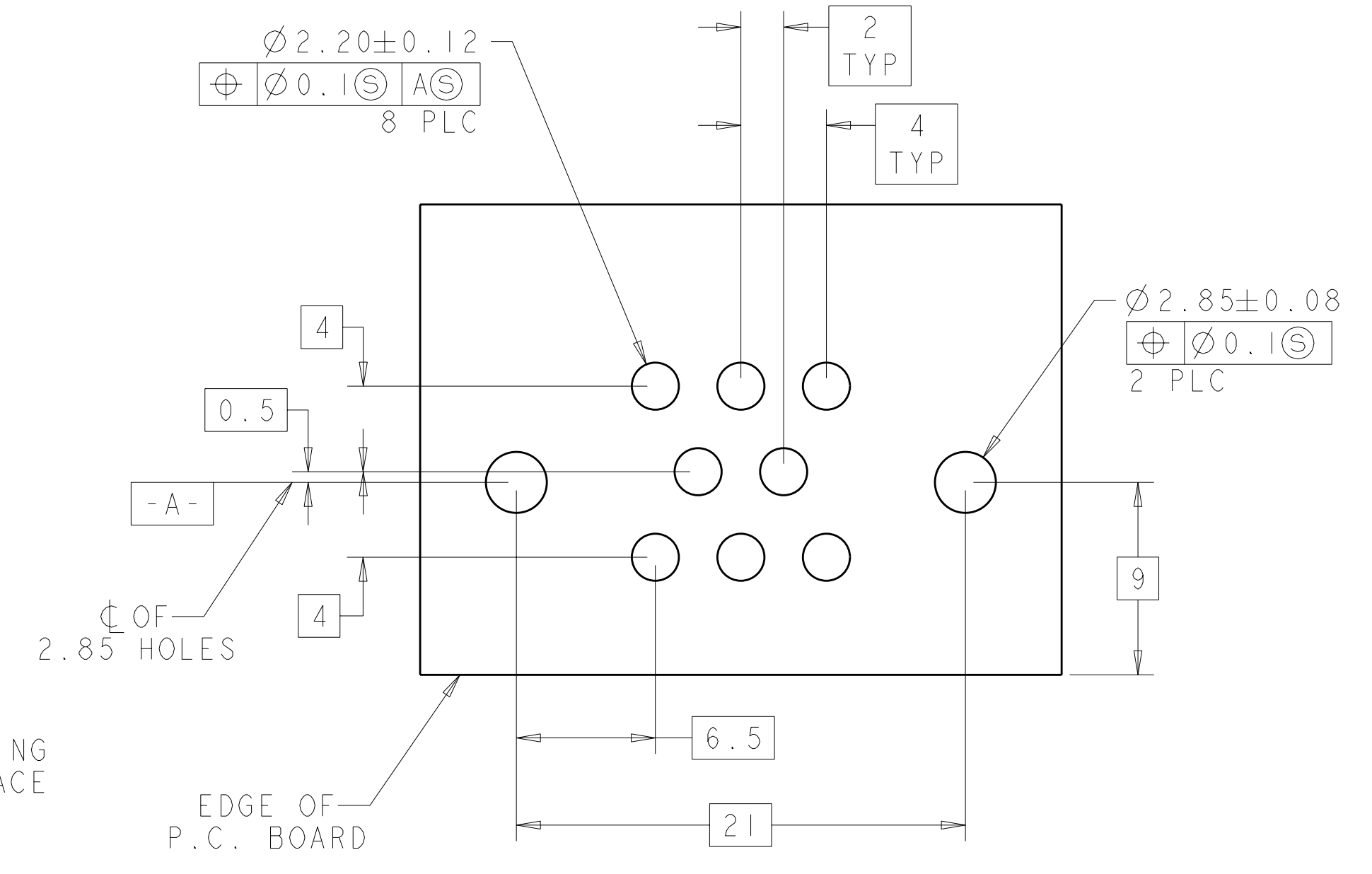
LOC	DIST	REV	DATE	BY	CHKD	APVD
GE	00	F3	12MAR2011	RK	HMR	



RECOMMENDED MOUNTING HOLE LAYOUT FOR 5.0 MAX THICK PANEL



SECTION A-A  
OPTIONAL CONSTRUCTION IF THICKNESS IS GREATER THEN 2.0  
SCALE 10:1



RECOMMENDED P.C. BOARD LAYOUT FOR 1.57 THICK P.C. BOARD

SILICONE	NATURAL	DURAGOLD PLATED	1-776280-2
	BLACK	DURAGOLD PLATED	1-776280-1
GASKET MATERIAL	BLACK	TIN PLATED	776280-6
	NATURAL	TIN PLATED	776280-2
	BLACK	TIN PLATED	776280-1
HEADER HOUSING COLOR		PIN	PART NUMBER

- △ ACCEPTS #4 SELF TAPPING THREAD CUTTING SCREWS OR METRIC EQUIVALENT. DRIVE TO 0.6±0.2 N-m MAX.
- △ HOUSING COLORS ARE MECHANICALLY KEYED TO MATE ONLY WITH IDENTICALLY COLORED PLUG ASSEMBLIES.
- △ REFER TO PAGE 2 FOR 776280-6 ASSEMBLY DIMENSIONS, RECOMMENDED MOUNTING HOLE AND P.C. BOARD LAYOUT ARE THE SAME FOR ALL DASH NUMBERS.

THIS DRAWING IS A CONTROLLED DOCUMENT.

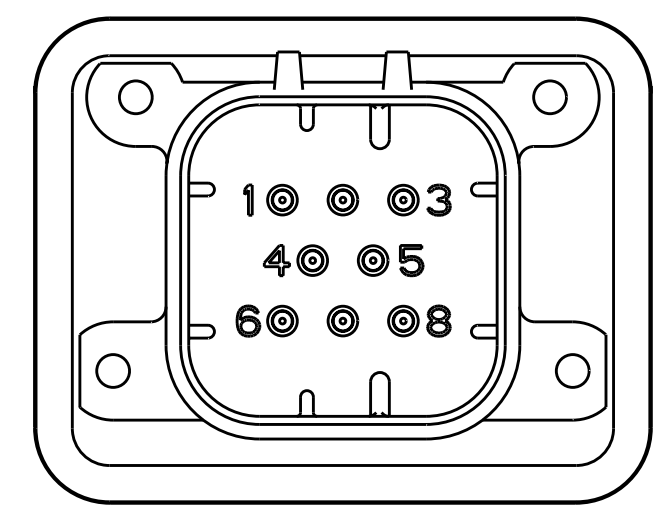
DIMENSIONS:	TOLERANCES UNLESS OTHERWISE SPECIFIED:	DATE	29FEB08
mm	0 PLC ±	CHKD	J. MARKEY
	1 PLC ±0.2	APVD	J. MARKEY
	3 PLC ±0.13	PRODUCT SPEC	
	4 PLC ±	APPLICATION SPEC	
	ANGLES ±	WEIGHT	
	FINISH ±	CUSTOMER DRAWING	

MATERIAL: HOUSING: G.F. PBT  
PIN: BRASS

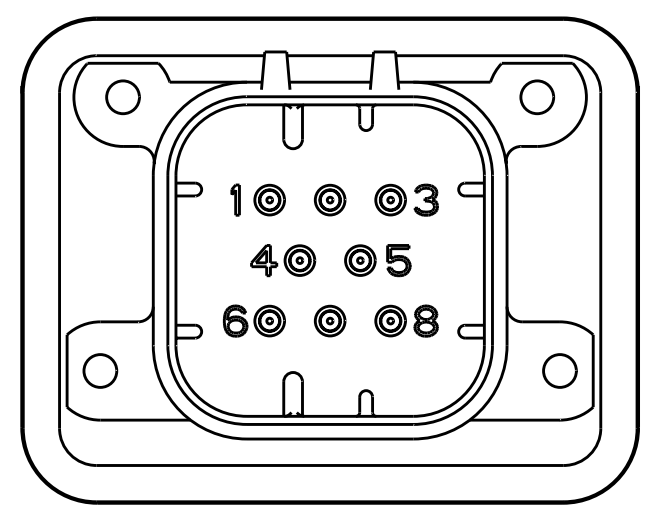
NAME: HEADER ASSEMBLY, 8 POSITION, RIGHT ANGLE, AMPSEAL

SIZE: A1100779  
SCALE: 4:1  
SHEET: 1 OF 2  
REV: F3

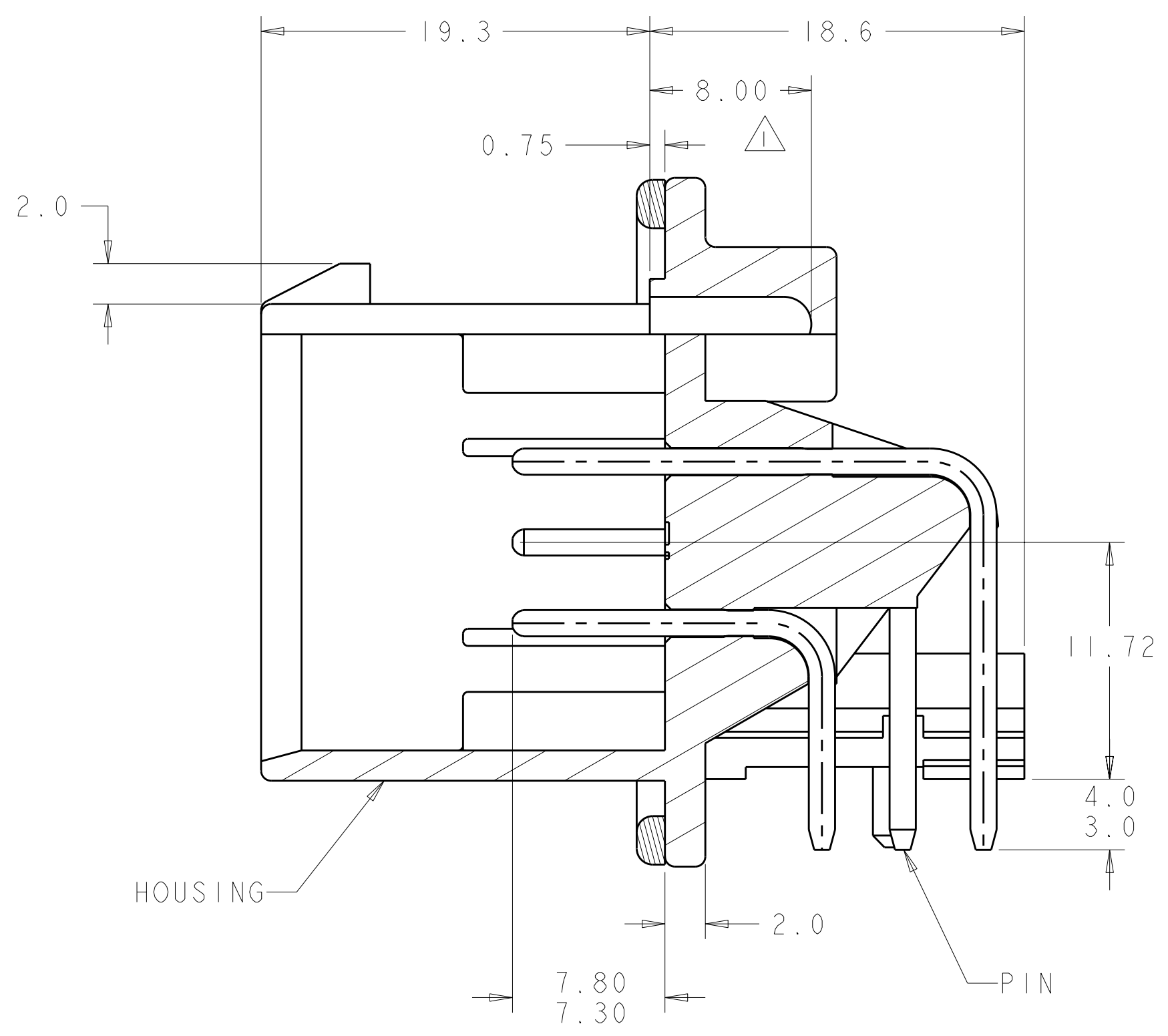
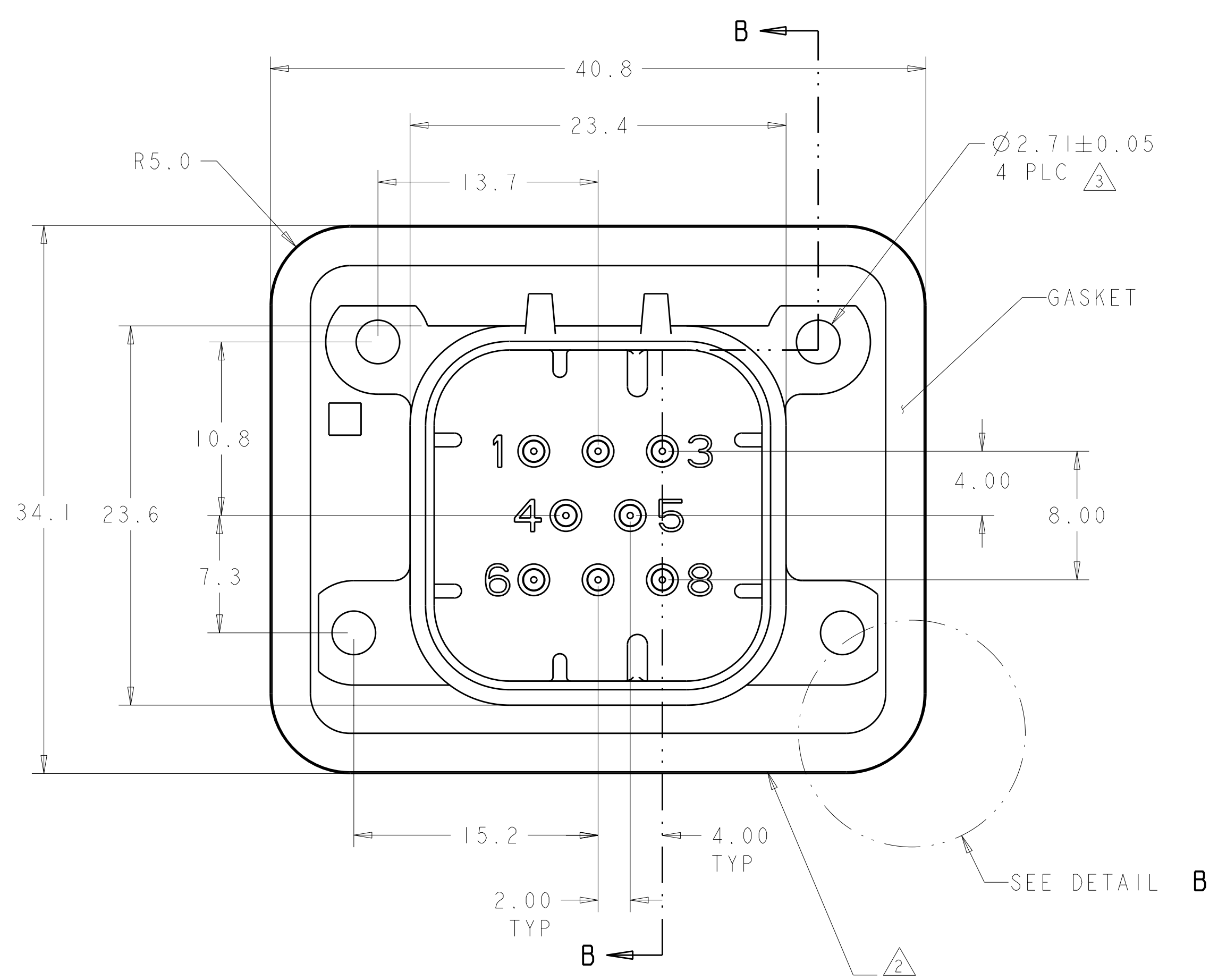
LOC	DIST	REV	DATE	BY	APPD
GE	00				
REVISIONS					



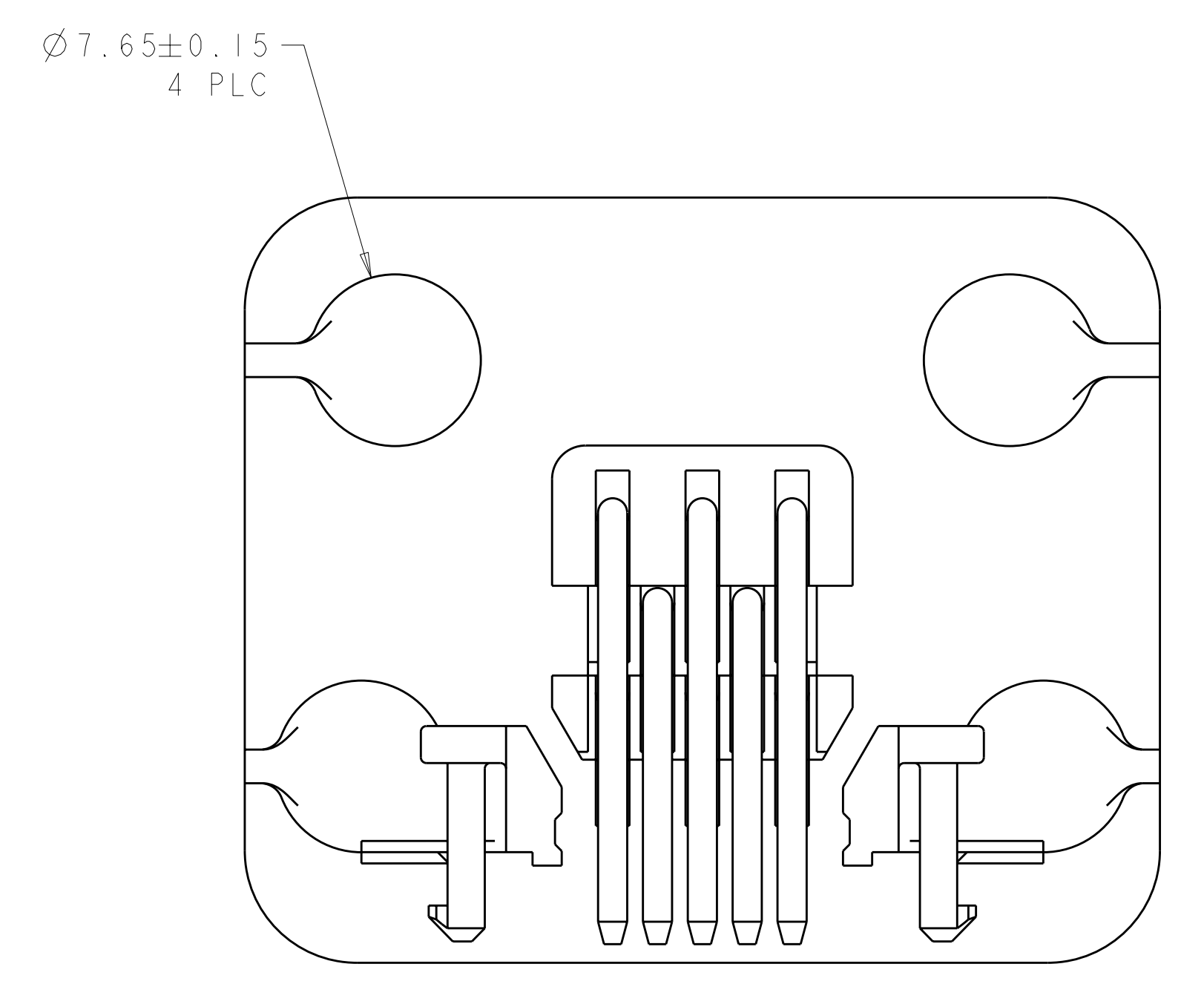
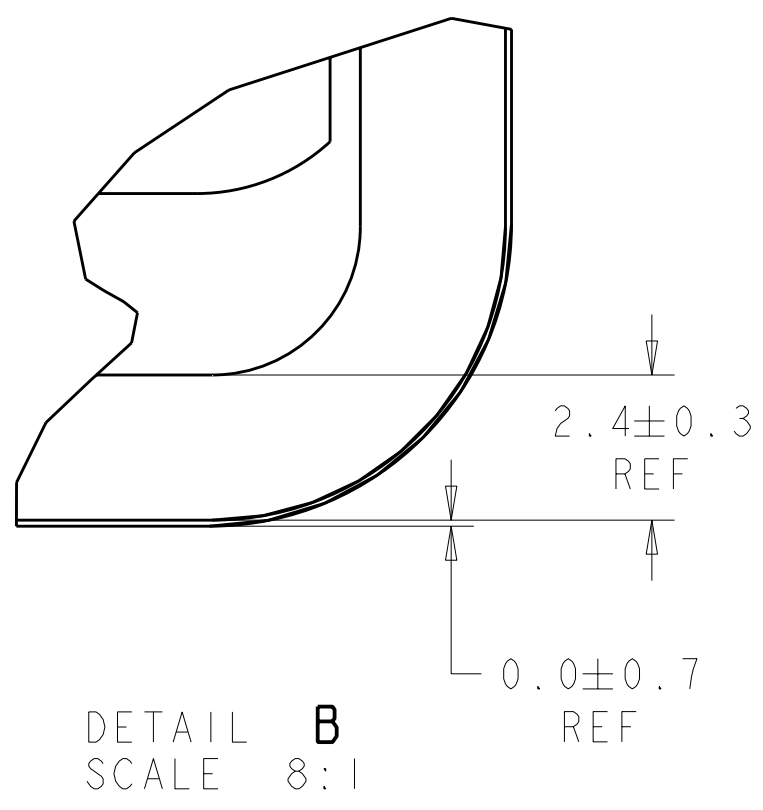
776280-1, 776280-6 & 1-776280-1  
KEY LOCATION  
SCALE 2:1



776280-2 & 1-776280-2  
KEY LOCATION  
SCALE 2:1



SECTION B-B



- ACCEPTS #4-20 THREAD FORMING TWIN HELIX PLASTITE SCREW (SINGLE HELIX OPTIMAL)
- HOUSING COLORS ARE MECHANICALLY KEYED TO MATE ONLY WITH IDENTICALLY COLORED PLUG ASSEMBLIES.
- 0° 30' MAX DRAFT FROM TOP OF HOLE (1° INCLUDED ANGLE)

SILICONE	BLACK	TIN PLATED	776280-6
GASKET MATERIAL	HEADER HOUSING COLOR	PIN	PART NUMBER
THIS DRAWING IS A CONTROLLED DOCUMENT.		DWN J. MARKEY 29FEB08 CHK J. MARKEY 29FEB08 APVD J. MARKEY 29FEB08 NAME:	
DIMENSIONS: mm TOLERANCES UNLESS OTHERWISE SPECIFIED: 9 PLC ± 1 PLC ±0.2 5 PLC ±0.13 4 PLC ± ANGLES ±4° FINISH:		PRODUCT SPEC: APPLICATION SPEC: WEIGHT: CUSTOMER DRAWING	
MATERIAL:		SIZE: CAGE CODE: DRAWING NO: A100779C=776280 RESTRICTED TO:	
		SCALE: 4:1 SHEET 2 OF 2 REV F 3	

ASSEMBLY DIMENSIONS APPLY TO 776280-6 ONLY  
(HOLE LAYOUT AND P.C. BOARD LAYOUT SHOWN ON SHEET 1 APPLY TO ALL DASH NUMBERS)