

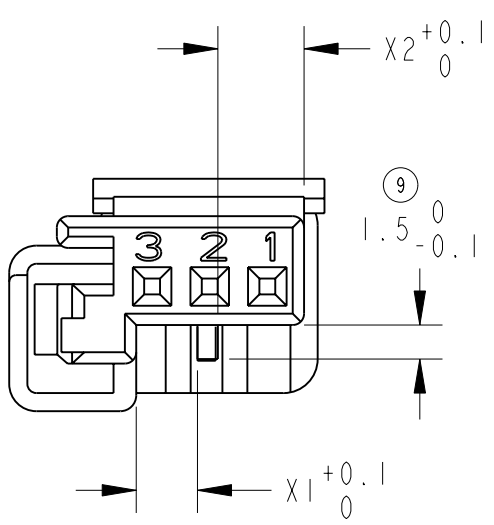
THIS DRAWING IS UNPUBLISHED.
 DIFFUSION RESTREINTE
 © COPYRIGHT 2006 BY TYCO ELECTRONICS CORPORATION. ALL RIGHTS RESERVED.
 TOUS DROITS RESERVES

RELEASED FOR PUBLICATION
 LIBRE A LA DIFFUSION
 2006

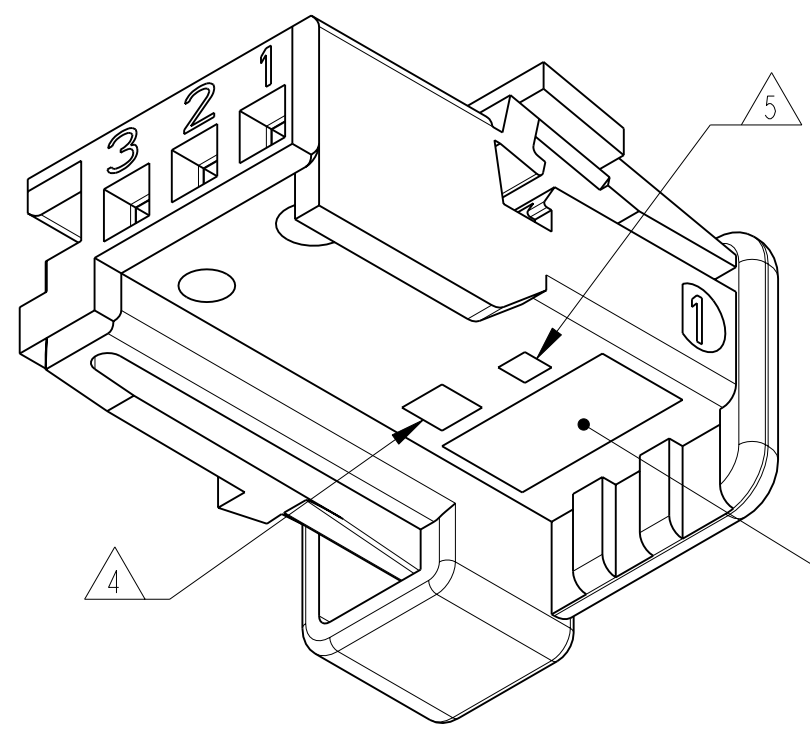
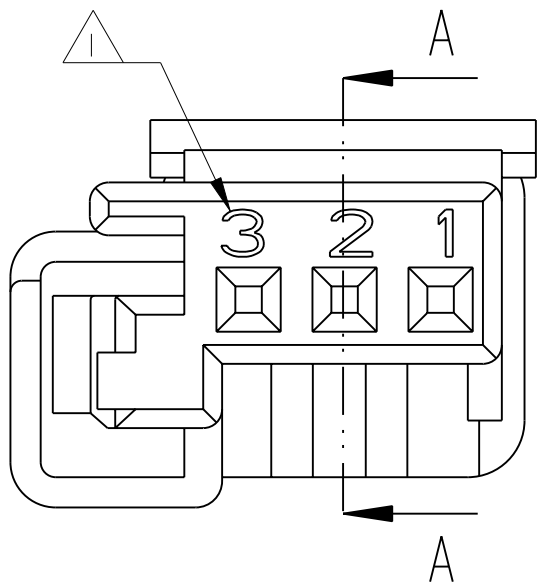
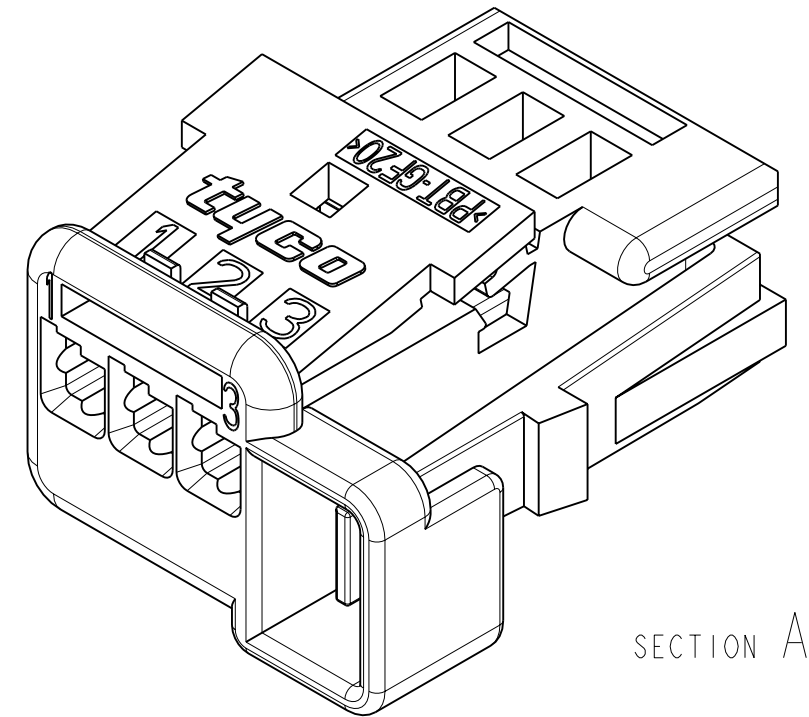
LOC	DIST	REVISIONS					
F	00	P	LTR	DESCRIPTION MODIFICATIONS	DATE	DWN DESS.	APVD APP.
		B		REF APPLICATION SPEC AND OTHER CORR.	08NOV2007	EC	JD

KEYING TABLE (table de detrompage)

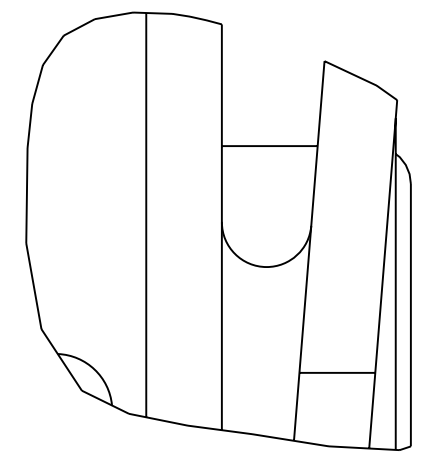
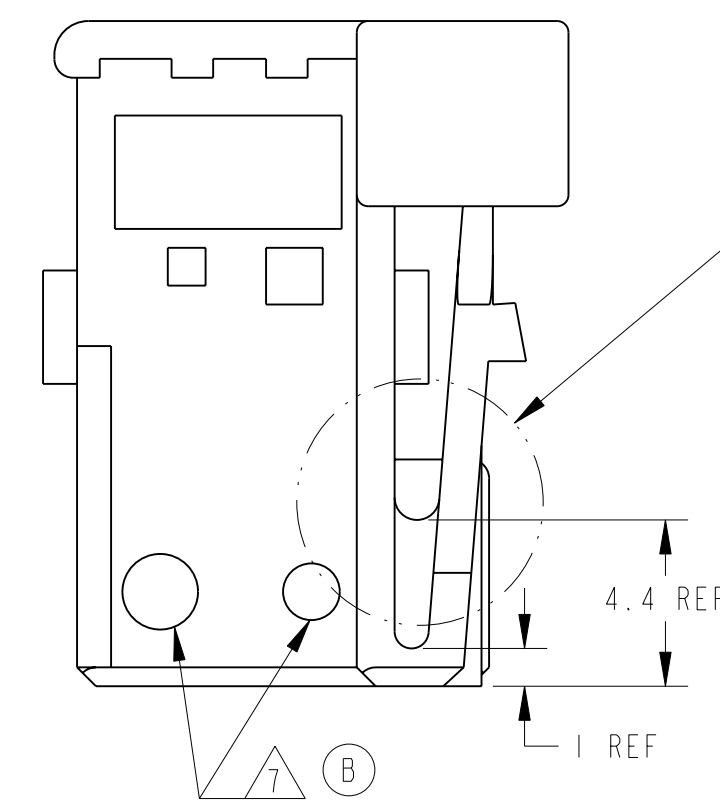
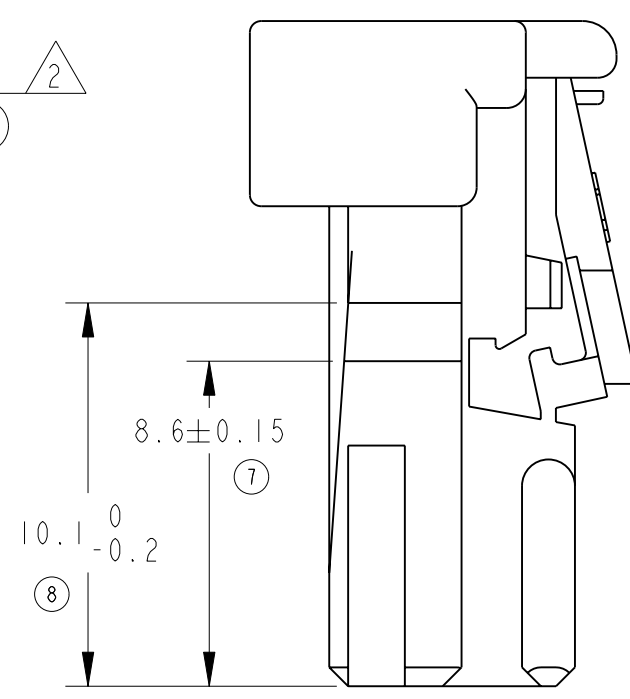
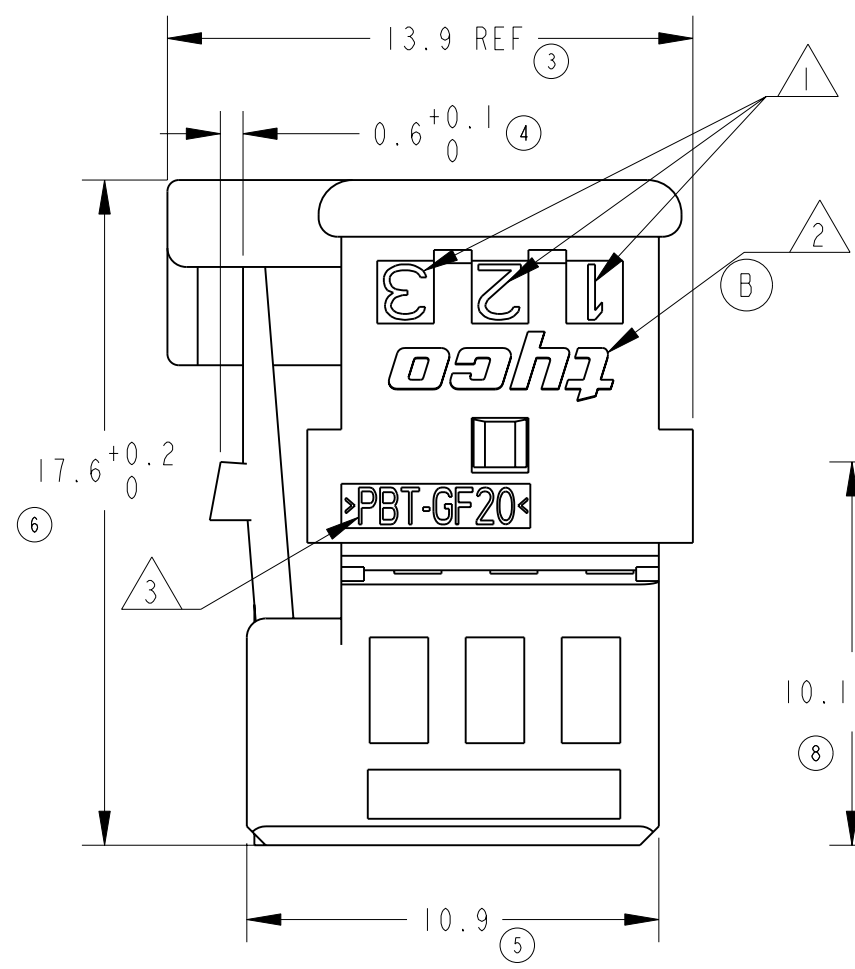
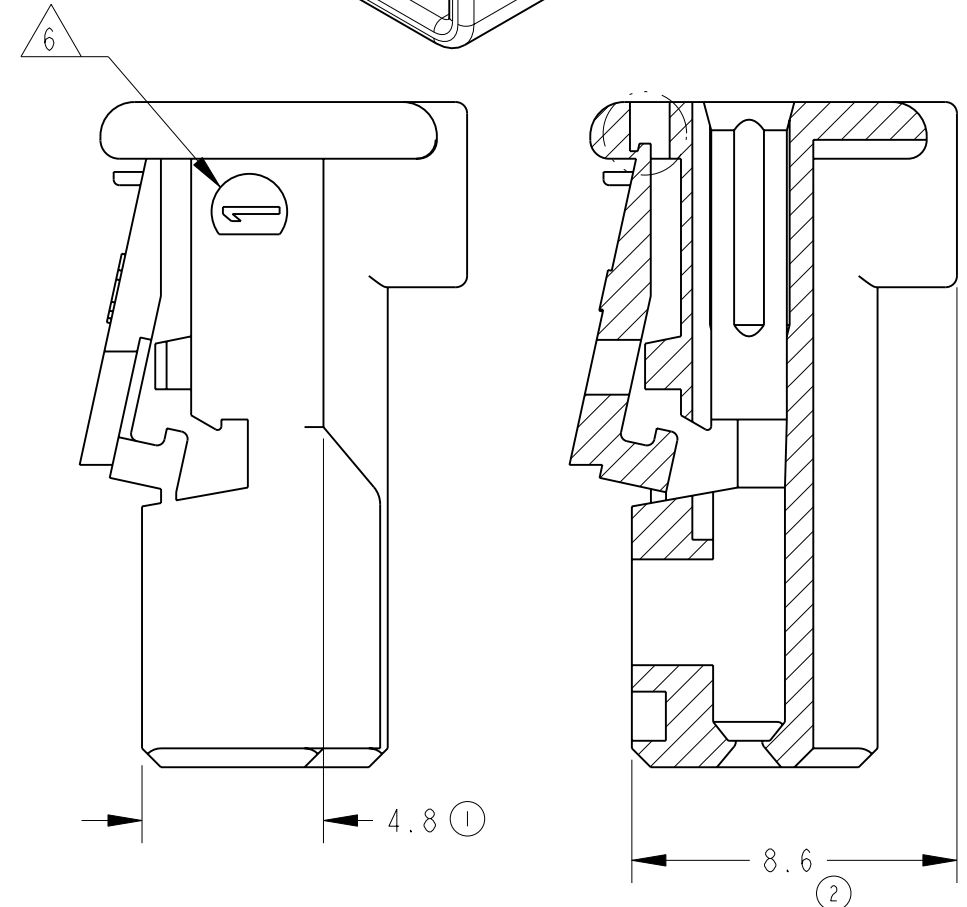
COLOR couleur	X1	X2	TE PN ref TE
BLACK noir	6.5 (10)	0 (11)	953697-1
WHITE blanc	5.2 (12)	1.3 (13)	953697-2
BLUE bleu	4 (14)	2.5 (15)	953697-3
YELLOW jaune	2.7 (16)	3.8 (17)	953697-4
GREY gris	1.5 (18)	5 (19)	953697-5
BROWN marron	0 (20)	6.3 (21)	953697-6



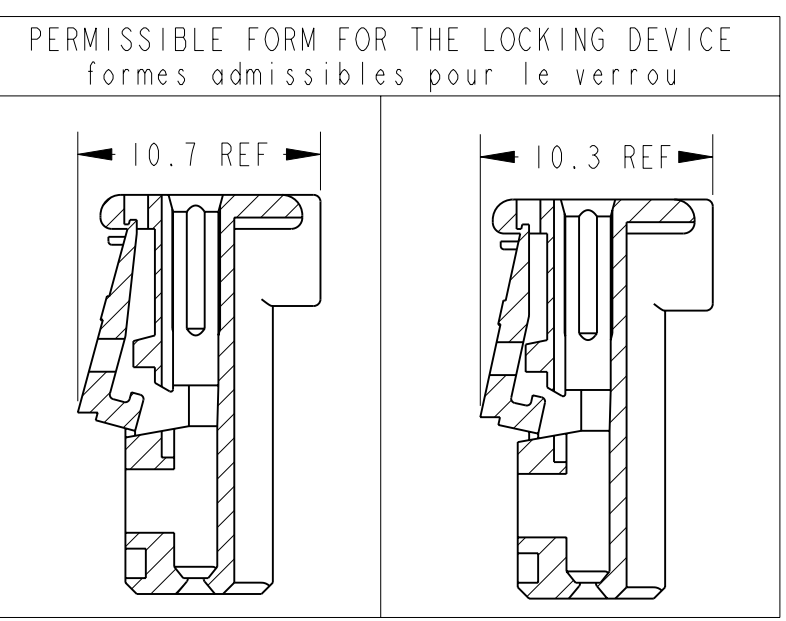
- 1 CAVITY MARKING
reperes alveoles
- 2 AMP STAMP OR TYCO ELECTRONICS STAMP (following mold)
logo AMP ou logo TYCO ELECTRONICS (suivant moule)
- 3 MATERIAL IDENTIFICATION
marquage matiere
- 4 MOLD REVISION NUMBER (optional)
indice de revision moule (optionnel)
- 5 MOLD IDENTIFICATION
identification moule
- 6 MOLD CAVITY IDENTIFICATION NUMBER
numero d'empreinte moule
- 7 EXCHANGEABLE MANUFACTURING DATE
date de fabrication exchangeable
- 8 CUSTOMER STAMP PSA (OPTIONAL)
logo client PSA (optionel)



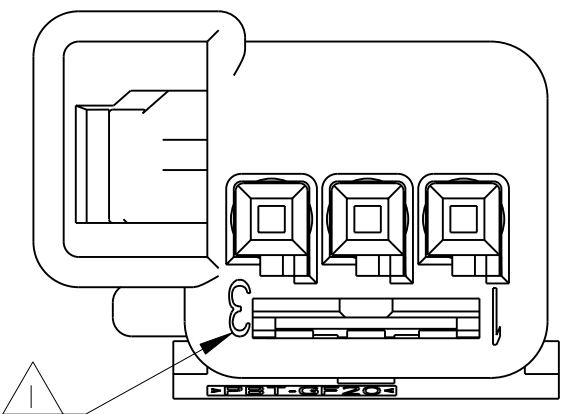
SECTION A - A



DETAIL X
SCALE 10:1



SECTION A - A
SCALE 3:1



<small>THIS DRAWING IS A CONTROLLED DOCUMENT FOR TYCO ELECTRONICS CORPORATION IT IS SUBJECT TO CHANGE AND THE CONTROLLING ENGINEERING ORGANIZATION SHOULD BE CONTACTED FOR THE LATEST REVISION. CE PLAN EST UN DOCUMENT CONTROLÉ PAR TYCO ELECTRONICS. IL EST SUSCEPTIBLE D'ÊTRE REVISÉ. CONTACTER LE SERVICE CLIENT DE TYCO ELECTRONICS POUR OBTENIR LA DERNIÈRE RÉVISION.</small>		DWN/DESSINE 22MAR2006 M. POLIFONTE CHK/VERIFIE 22MAR2006 X. ROULLARD APVD/APROUVE 22MAR2006 J. DAHER	TYCO ELECTRONICS France SAS BP 30039, 95301 CERGY-PONTOISE Cedex
DIMENSIONS: mm	TOLERANCES UNLESS OTHERWISE SPECIFIED: (SUIV. NB DE DECIMALES) 0 PLC/DEC: ± 1 PLC/DEC: ± 2 PLC/DEC: ±0.2 3 PLC/DEC: ± 4 PLC/DEC: ± ANGLES: ±5°	PRODUCT SPEC SPEC. PRODUIT 108-15226 (B) APPLICATION SPEC SPEC. APPLICATION 411-15626 (B)	NAME TITRE 3 POS. MQS RECEPTACLE HOUSING POSITIVE MATE porte-clips 3 voies MQS avaloir
MATERIAL/MATIERE (B) PBT-GF20	FINISH/FINITION	WEIGHT MASSE APPROX. 1g	SIZE FORMAT A2 CAGE CODE 00779 DRAWING NO No PLAN C-953697
CUSTOMER DRAWING /PLAN CLIENT		UNIFORMENT POUR REFERENCE	SCALE ECHELLE 5:1 SHEET FEUILLE 1 OF DE 1 REV B