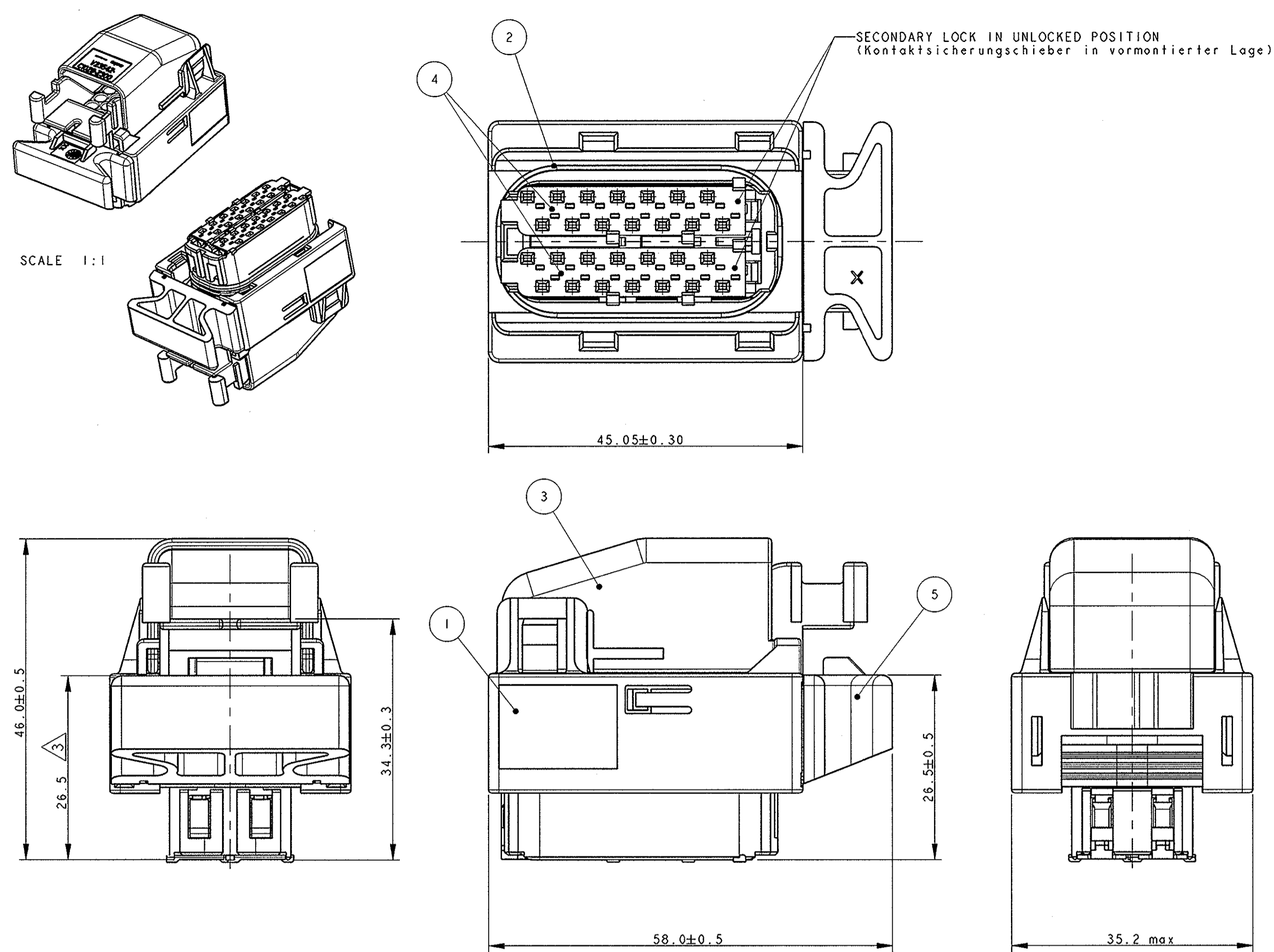


THIS DRAWING IS UNPUBLISHED. RELEASED FOR PUBLICATION 2003
 COPYRIGHT 2003 BY TYCO ELECTRONICS CORPORATION. ALL RIGHTS RESERVED.

LOC	DIST	REVISIONS			
A	-	REV	DESCRIPTION	DATE	APPROV
		A	REDRAWN PER ET00-0028-04	02-04-04	R.M.

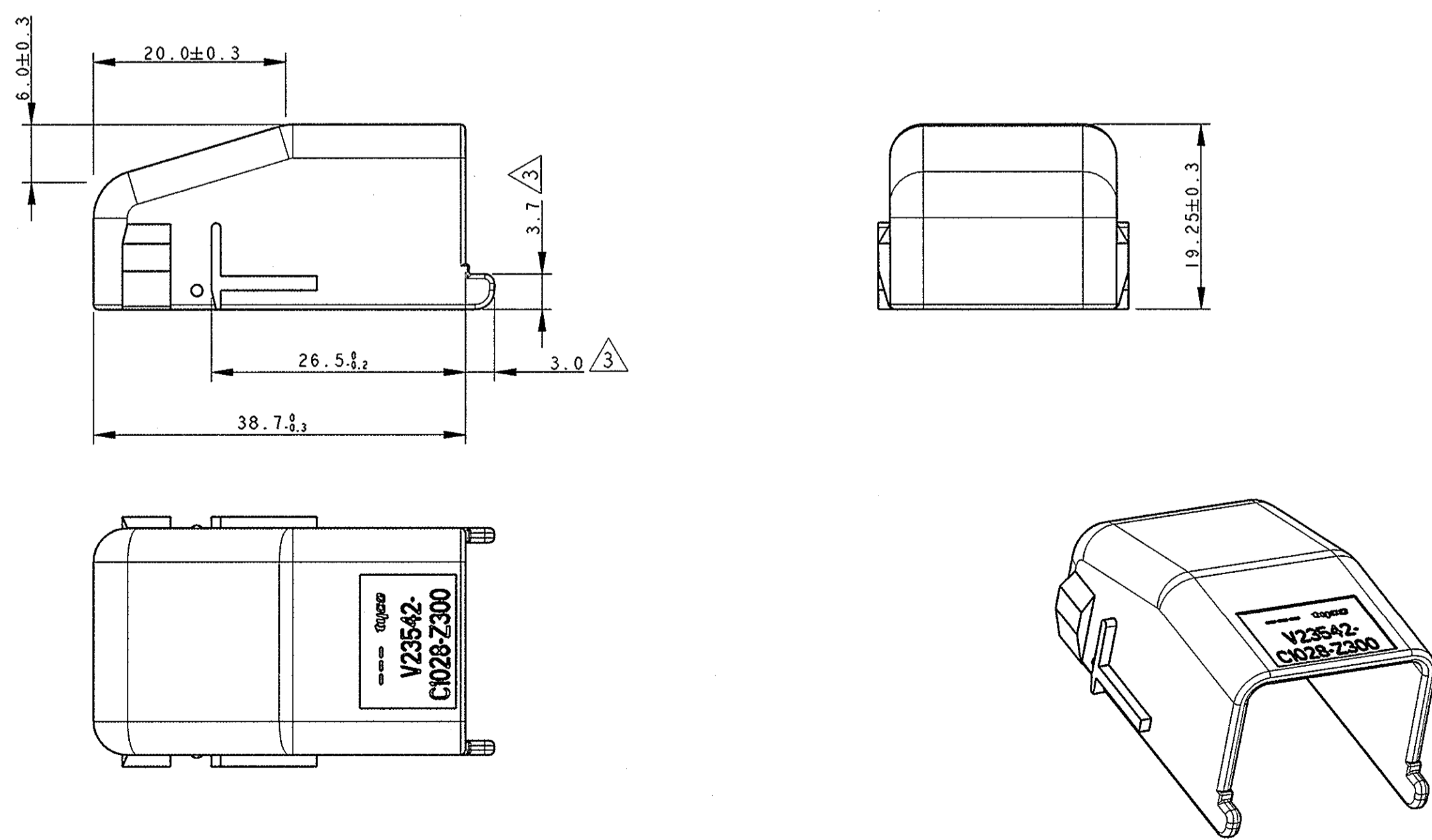


TYCO ORDER NO. / (TYCO Bestellnummer)

- SOCKET HOUSING WITHOUT COVER P/N 1393436-4 / (Gehäuse ohne Abdeckkappe)
(was SIEMENS code V23542-C1028-B300)
- COVER P/N 1393454-5 / (Abdeckkappe)
(was SIEMENS code V23542-C1028-Z300)

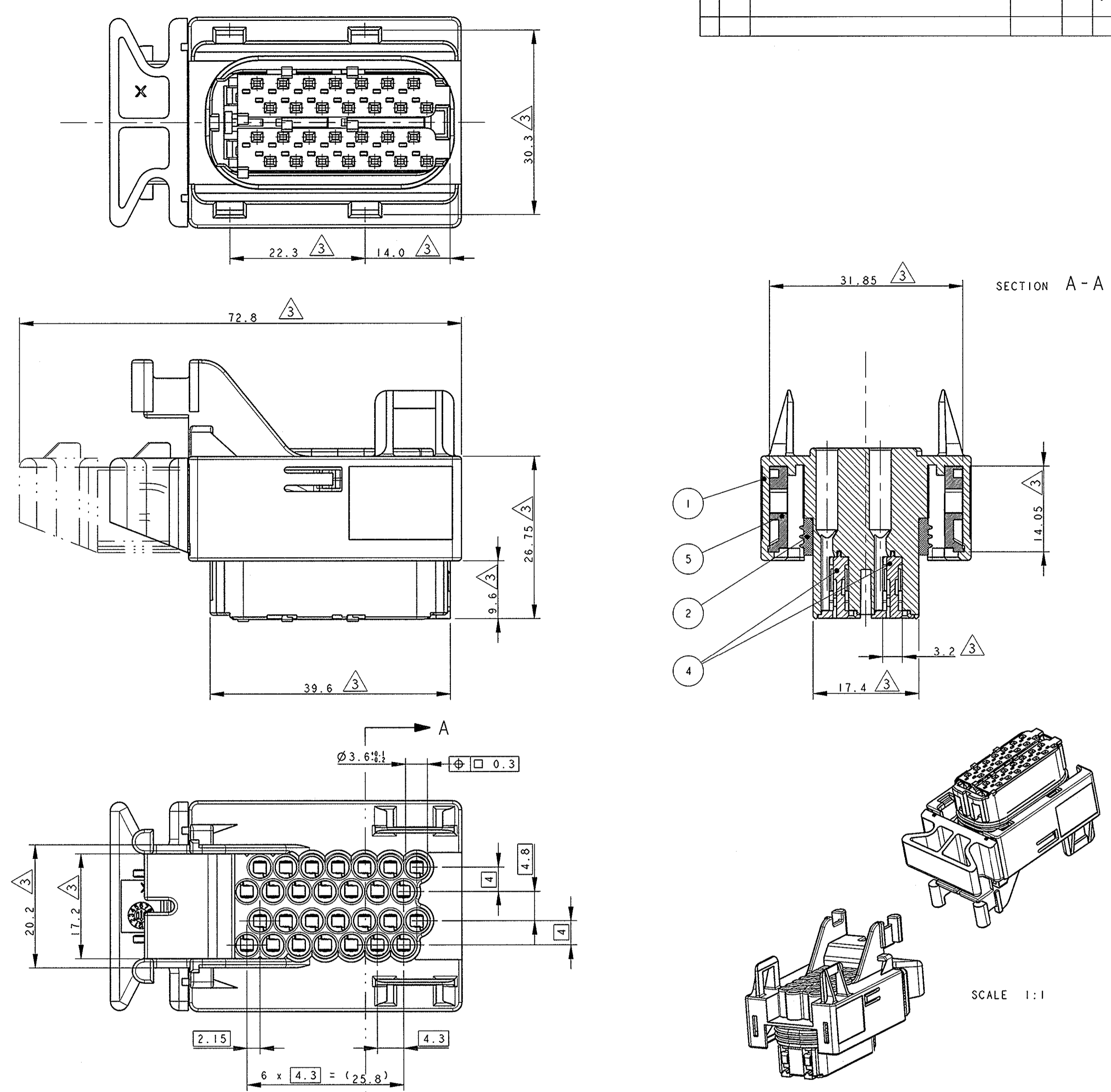
BOTH PARTS NEED TO BE ORDERED / (Teile müssen einzeln bestellt werden)

COVER / (Abdeckkappe)



P/N 1393454-5 AS SHOWN
(WAS SIEMENS No. V23542-C1028-Z300)

SOCKET HOUSING / (Gehäuse)



P/N 1393436-4 AS SHOWN
(WAS SIEMENS No. V23542-C1028-B300)

OLD SIEMENS NR.	NEW TYCO P/N	DESCRIPTION	REV.	WEIGHT [g]
V23542-C1028-B300	1393436-4	SOCKET HOUSING WITHOUT COVER	02	30.8
V23542-C1028-Z300	1393454-5	COVER	01	4.9

MATERIAL LIST / (Materialliste)

ITEM	QTY	DESCRIPTION (Bezeichnung)	MATERIAL (Material)	COLOR (Farbe)
1	1	SOCKET HOUSING / (Grundkörper)	PBT-GF(30±3)%	BLACK / (Schwarz)
2	1	RADIAL SEAL / (Radialdichtung)	NVO	GREEN / (Grün)
3	1	COVER / (Abdeckkappe)	PBT-GF(20±2)%	BLACK / (Schwarz)
4	2	SECONDARY LOCK / (Kontaktsicherung)	PBT-GF(20±2)%	NATURAL / (Natur)
5	1	SLIDE / (Kulissennuttschieber)	PBT-GF(30±3)%	BLACK / (Schwarz)

- 1 RECYCLED MATERIAL max. 25% / (Regeneratbeimischung max. 25%)
LIQUID COLOR ALLOWED / (Liquideinfärbung zugelassen)
- 2 SILICONE RUBBER / (Silikonkautschuk)
RESISTANT TO OZONE AND TO HOT AIR +180°C / (Ozonbeständig, wärmluftbeständig +180°C)
RESISTANT TO COLD -45°C, OIL PERCENTAGE 2%+1% / (Kältebeständig -45°C, Ölanfeile 2%+1%)
- 3 NOMINAL DIMENSION, ONLY FOR INFO: NOT IN INITIAL SAMPLE REPORT / (Nominale Mass, nur zu info: kommt nicht in Erstmusterprüfbericht)
- 4 USE TEST ADAPTOR FOR CONTINUING TESTING ACCORDING TO V23543-C1028-B300-7424
(Zu verwenden prüfadaptor: siehe V23543-C1028-B300-7424)
- 5 FOR LENGTH TOLERANCES REFER TO DIN 16901-130;
FOR ANGLES, FORM AND POSITION TOLERANCES REFER TO DIN ISO 2768-mH / (Längen: DIN 16901-130; Winkel, Form und Lage: DIN ISO 2768-mH)

DIMENSIONS: mm		TOLERANCES UNLESS OTHERWISE SPECIFIED: ISO 8015		DWG: 03DEC2003 CHK: M. GENTILE P: MARTINI APVD: A. GENTA PRODUCT SPEC: - APPLICATION SPEC: - MATERIAL: - FINISH: - SEE TABLE		tyco Electronics AMP Italia S.p.A. C.so F.lli Corvi 15 Collegno (TO)	
DIMENSION DRAWING 28 POS. ENGINE CONNECTOR (Maßbild)				SIZE: CAGE CODE: DRAWING NO: WEIGHT: SEE TABLE A 00779 C=1393436-4 CUSTOMER DRAWING		RESTRICTED TO: - SCALE: 2:1 SHEET: 1 OF 1 REV: A	