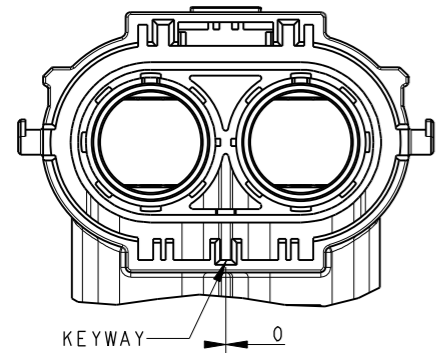


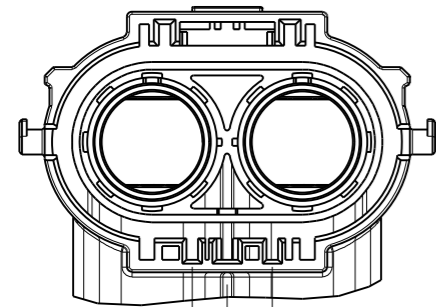
C-HVSL1000082X

CUSTOMER DRAWING

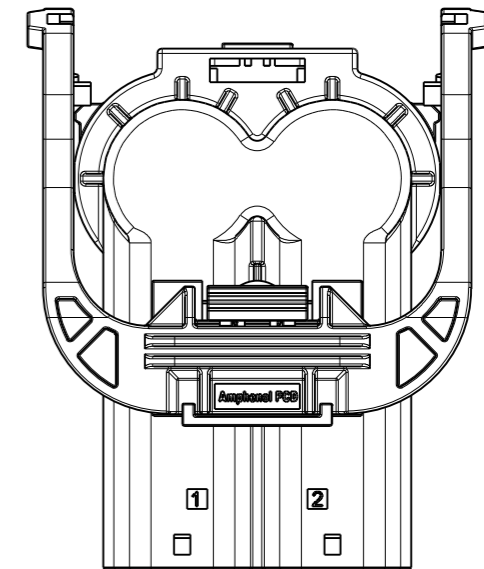
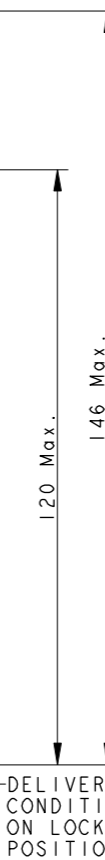
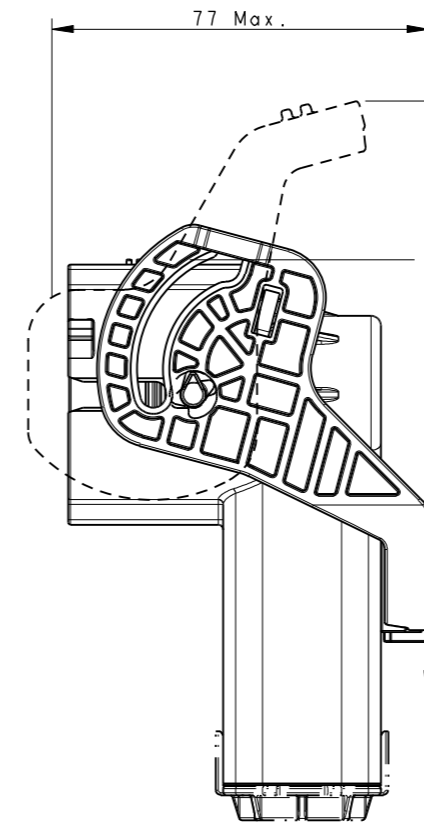
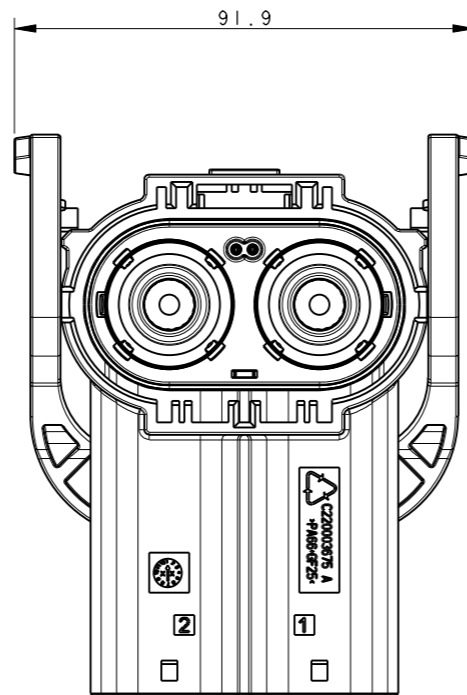
| REV | ECN | DESCRIPTION | DATE | MODIFIED |
|-----|-----|-------------------|----------|------------|
| 1 | | PRE-RELEASE | 06/12/13 | Eric Zhou |
| 2 | | ADD WIRE DIAMETER | 15/09/15 | Robin Yuan |



HVSL 1000 08 2 A
CODING A



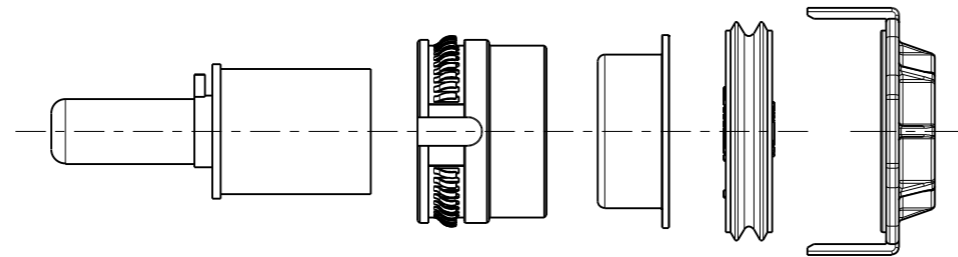
HVSL 1000 08 2 B
CODING B



DELIVERY
CONDITION: CPA
ON LOCKED
POSITION

NOTES:

- MATERIAL & FINISH:
PLASTIC BODY: THERMOPLASTICS UL 94V-0 ORANGE COLOR
SOCKET CONTACT: COPPER ALLOY SILVER PLATED
SHIELDING: COPPER ALLOY TIN PLATED
FERRULE: ALUMINIUM ALLOY
CABLE SEAL: SILICONE RUBBER
- ELECTRONICAL CHARACTERISTICS:
HIGH VOLTAGE RATED 1000 V DC MAX.
CURRENT RATED 250 A MAX.
WITHSTANDING VOLTAGE 3000 V AC
PRODUCTS ARE COMPLIANCE WITH EN 60664-1 POLLUTION II
- ENVIRONMENT CHARACTERISTICS:
IP67 IP6K9K RATED (WHEN MATING)
IP2XB RATED FOR FINGER TOUCH-PROOF
- DELIVERY WITHOUT PIN CONTACT AND ACCESSORIES. THE PIN CONTACT AND ACCESSORIES SHOULD BE ORDERED SEPARATELY.
- SEE APCD-TD-118 FOR ASSEMBLY INSTRUCTION.



KIT OF PIN and ACCESSORIES

- P/N: C4220036031 -- 70 mm² WIRE OD=19.0 ± 0.7MM
 C4220036032 -- 50 mm² WIRE OD=16.5 ± 0.4MM
 C4220036033 -- 35 mm² WIRE OD=14.2 ± 0.4MM
 C4220036034 -- 25 mm² WIRE OD=11.9 ± 0.3MM

C-HVSL1000082X

C-HVSL1000082X

| DIMENSIONS | TOLERANCES | PROJECTION | TITLE | | |
|-------------------------------------------------|---------------------------------------------------------------------------------------------------------------------|---------------------------------------------|---------------------------------------|---------------------------|--------------|
| ANSI Y14.5M UNITS: MM Pro/E FILE | .X ±0.3 .XX ±0.10 ANGLES ±2.0° | | Amphenol Pcd Shenzhen | | |
| ORIGINAL NOT FOR CUSTOMER DISTRIBUTION | THIS DOCUMENT CONTAINS PROPRIETARY INFORMATION WHICH IS THE CONFIDENTIAL PROPERTY OF AMPHENOL PCD SHENZHEN | ENGR Robyn Yuan 15/09/15 CHKD APPD | HVSL 1000 08 2 X R/A PLUG ASSEMBLY | | REV 2 |
| | | | SIZE A3 | DWG NO. C-HVSL1000082X | |
| | | | CODE: 58982 | SCALE: 7:10 | SHEET 1 OF 1 |