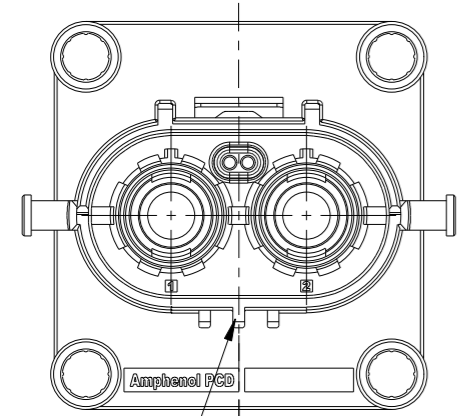
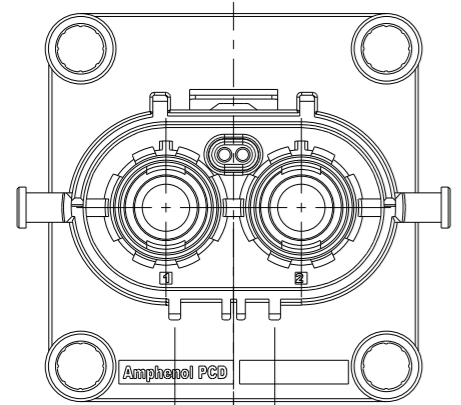


CUSTOMER DRAWING

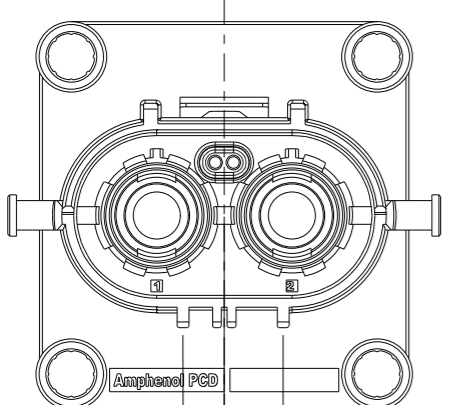
REV	ECN	DESCRIPTION	DATE	MODIFIED
1		PRE-RELEASE	25/04/16	Robin Yuan
2			29/07/16	Robin Yuan
3		CHANGE DESCRIPTION	12/04/17	CELINE.XIE
4	R0068	ADD DUST CAP	09/22/17	Celine.xie



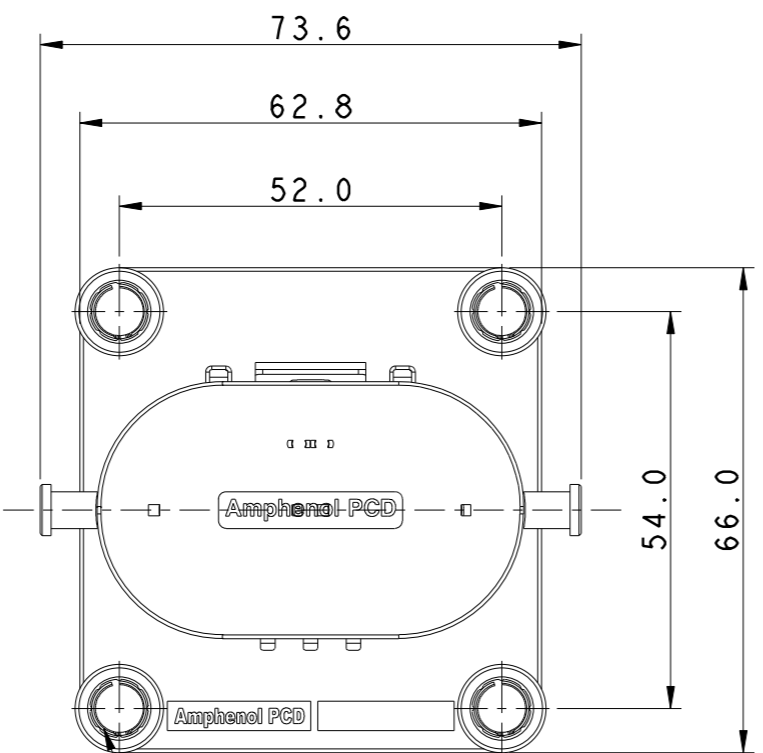
KEY 0
 HVSL800022AXXX
 CODING A



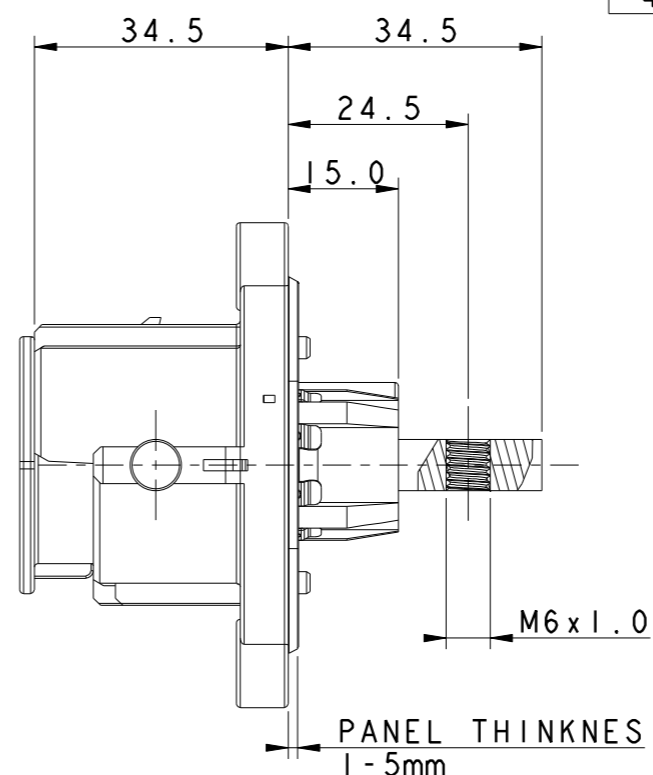
10 7
 HVSL800022BXXX
 CODING B



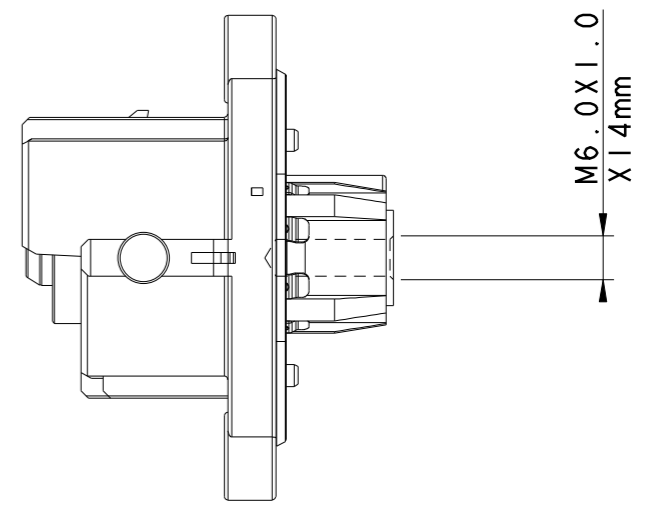
7 10
 HVSL800022CXXX
 CODING C



M6 SCREW AND WASHER APPLICABLE



POWER CONTACT HOLE TERMINATION



POWER CONTACT SCREW TERMINATION-INTERNAL

NOTES:

- MATERIAL & FINISH:**
 PLASTIC BODY: THERMOPLASTICS UL 94V-0 ORANGE COLOR
 POWER CONTACT: COPPER ALLOY SILVER PLATED
- ELECTRONICAL CHARACTERISTICS:**
 HIGH VOLTAGE RATED 1000 V DC MAX.
 CURRENT RATED 180A MAX(AMBIENT TEMPERATUR:70°C)
 CURRENT RATED 200A MAX(AMBIENT TEMPERATUR:60°C)
 WITHSTANDING VOLTAGE 3000 V AC
 PRODUCTS ARE COMPLIANCE WITH EN 60664-1 POLLUTION II
- ENVIROMENT CHARACTERISTICS:**
 IP67 IP6K9K RATED (WHEN MATING)
 IP2XB RATED FOR FINGER TOUCH-PROOF

HOW TO ORDER

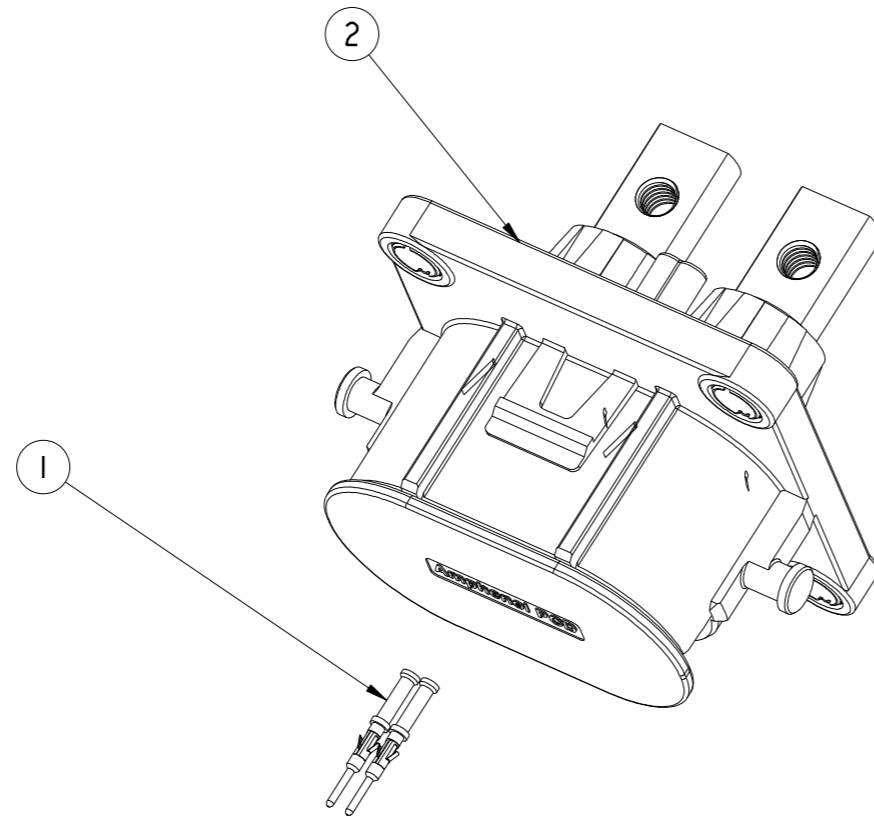
HVSL 800 02 2X X XX

- A: CODING A 0: WITHOUT HVIL H6: HOLE TERMINATION (M6 THREAD)
- B: CODING B 1: WITH HVIL D6: SCREW TERMINATION-INTERNAL (M6 THREAD)
- C: CODING C

DIMENSIONS ANSI Y14.5M UNITS: MM Pro/E FILE	TOLERANCES .X ±0.3 .XX ±0.10 ANGLES ±0.5°	PROJECTION 	TITLE HVSL 800 02 2 X X XX RECEPTACLE ASSEMBLY	
			Amphenol Pcd Shenzhen ENGR Robin Yuan 25/04/16 CHKD APPD <i>Sembao</i>	
ORIGINAL NOT FOR CUSTOMER DISTRIBUTION	THIS DOCUMENT CONTAINS PROPRIETARY INFORMATION WHICH IS THE CONFIDENTIAL PROPERTY OF AMPHENOL PCD SHENZHEN			SIZE A3
				DWG NO. C-HVSL800022XXXX
		CODE: 58982	SCALE: 1:1	SHEET 1 OF 3

C-HVSL800022XXXX

C-HVSL800022XXXX



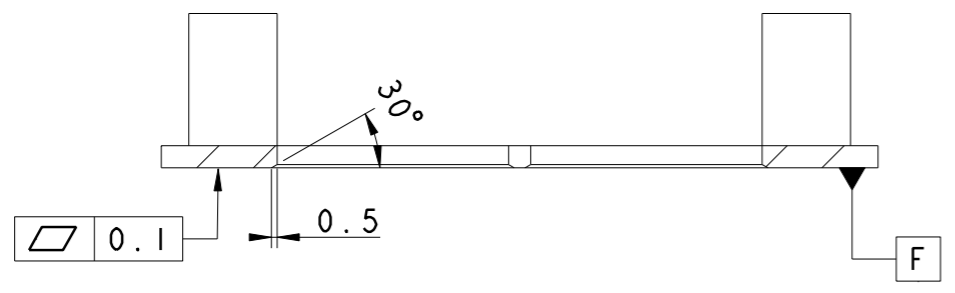
C-HVSL800022XXXX

C-HVSL800022XXXX

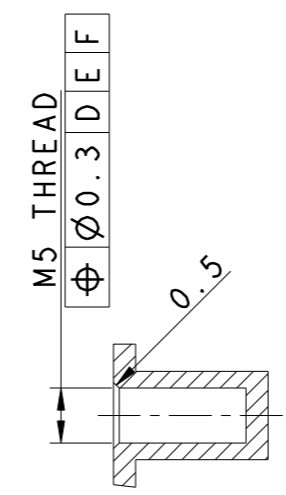
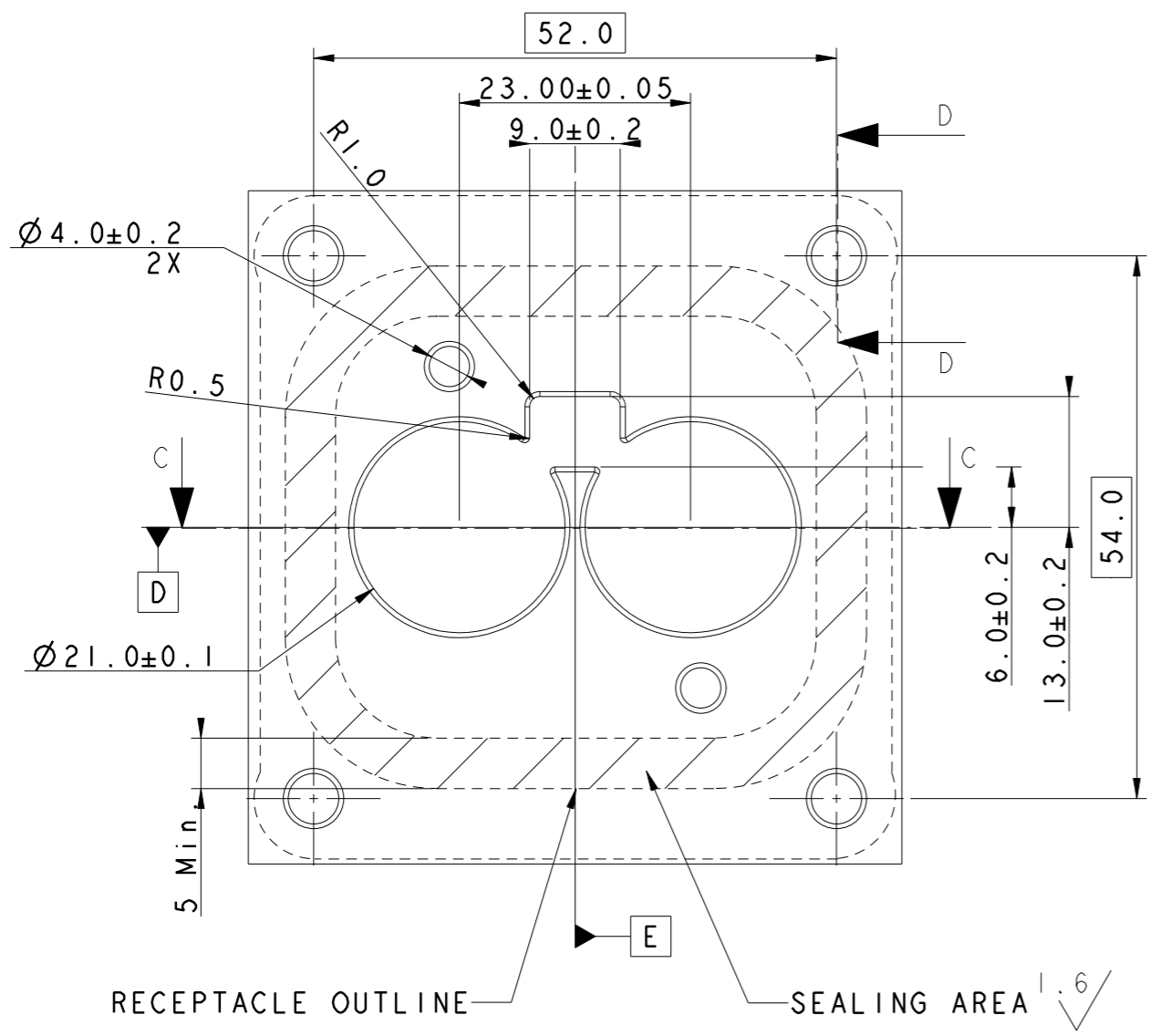
2	HVSL800022	RECEPTACLE BODY(A,B,C)	1	NA
1	C420003643	HVIL PIN	2	可选
ITEM	PART NO.	DESCRIPTION	Q'TY	REMARK

SIZE	DWG NO.	REV
A3	C-HVSL800022XXXX	4
CODE: 58982	SCALE: 1:1	SHEET 2 OF 3

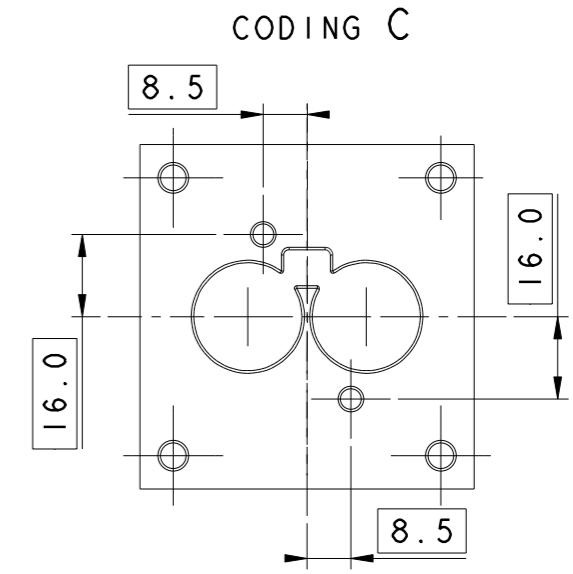
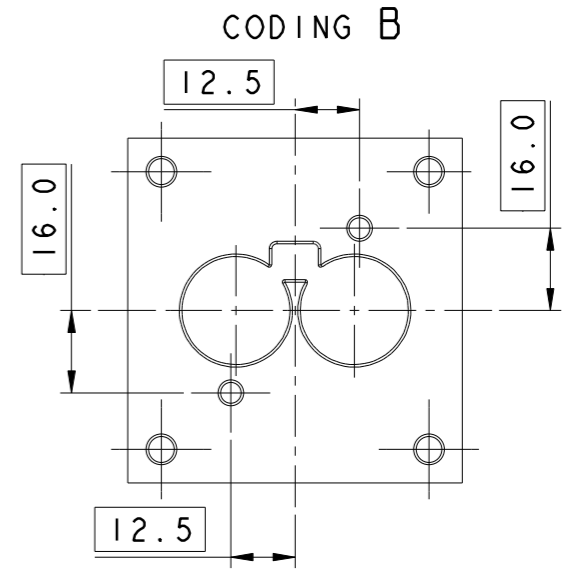
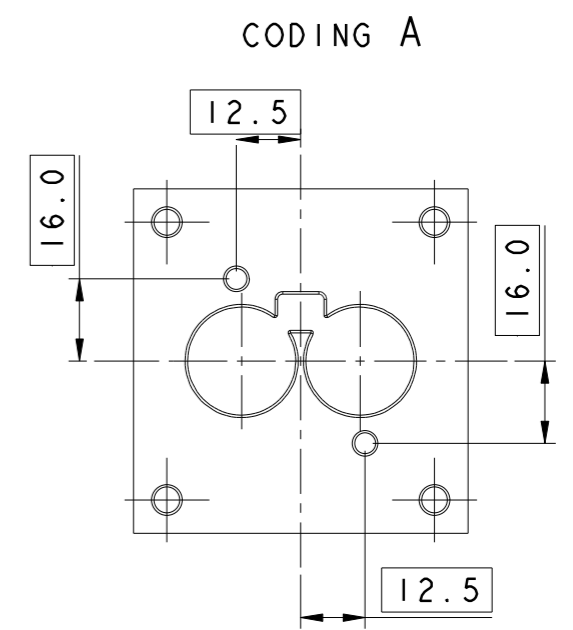
PANEL DRILLING



SECTION C-C



SECTION D-D



C-HVSL800022XXXX

C-HVSL800022XXXX

SIZE A3	DWG NO. C-HVSL800022XXXX	REV 4
CODE: 58982	SCALE: 1:1	SHEET 3 OF 3