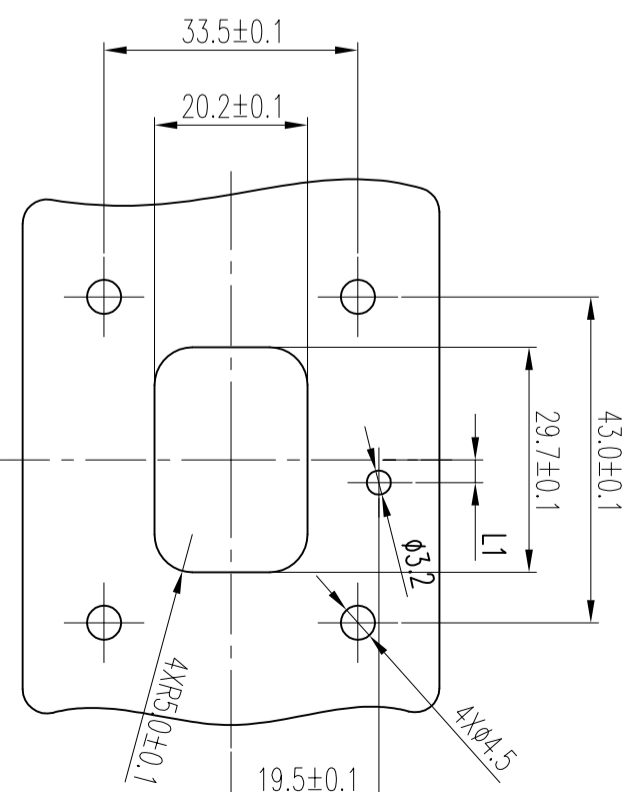
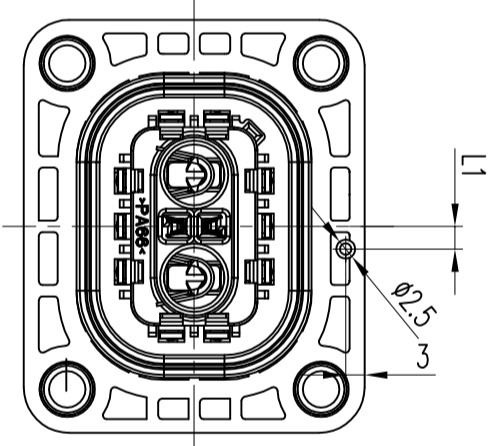
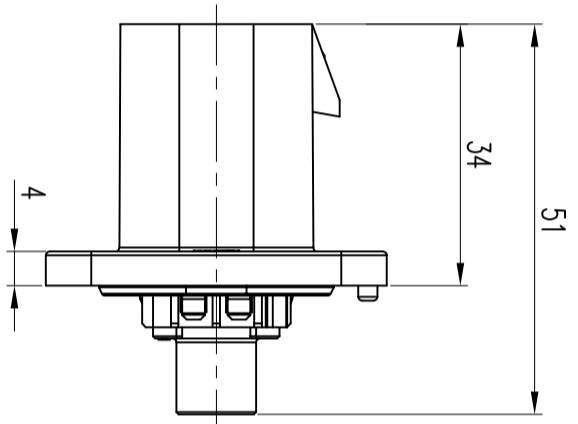
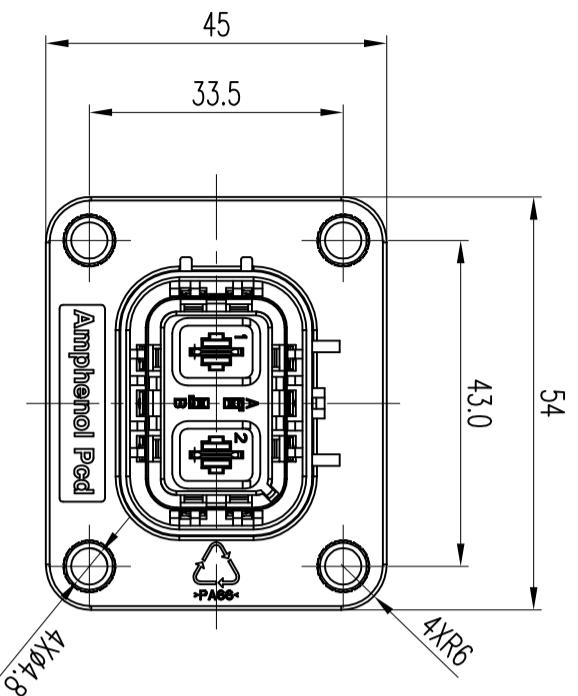


Amphenol PCD SZ
ORIGINAL
PDF Format
02 Dec. 13R&D



KEY	A	B	C	D	E
L1 (Receptacle)	0	3	6	-3	-6
(Mounting panel)	0	-3	-6	3	6

REV	ECN	DESCRIPTION	DATE	MODIFIED
1		PRE-RELEASE	2013.09.16	
2		UPDATE	2013.11.01	G.TANG
3		UPDATE	2013.12.01	G.TANG

C-HVSL 630 02 2 X

C-HVSL 630 02 2 X

*NOTES:
1.Default PACKING ARE NOT INCLUDING CONTACT FOR NOT CONNECTING CABLE, FOR CORRECT SELECTION PLEASE REF. TABLE BELOW.

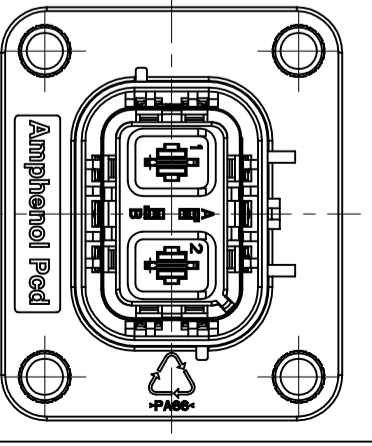
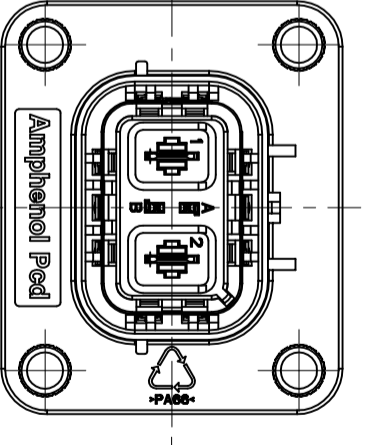
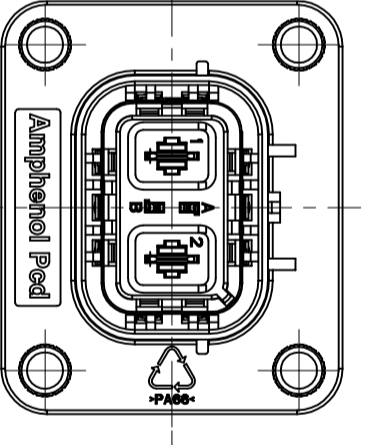
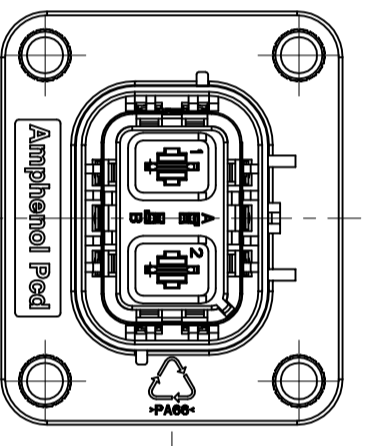
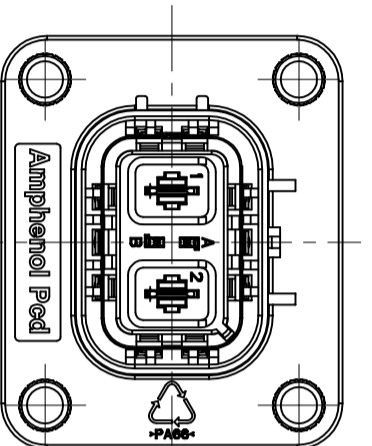
OPTION FOR CONTACT SELECTION	
MAIN CONTACT	HML CONTACT
C310003622	C310003613

*TECHNICAL PARAMETERS

Material
Housing : PA66 UL94-V0
Contacts: Copper alloy,Silver plated
Shield: Copper alloy
Seal: Silicone

Mechanical data
Operating Temperature:-40°C~+125°C
Durability: 30 cycles
Contact Type: Crimping
IP67,JP2XB

Electrical data
Withstand Voltage:3000V AC r.m.s
Rated Current : 23A(4mm² cable)
40A(6mm² cable)
Rated Voltage:630V
Insulation Resistance: >200MΩ
Contact Resistance: < 2mΩ
Suited to fit 4~6mm² cable
Shielded



KEY A
HVSL 630 02 2 A

KEY B
HVSL 630 02 2 B

KEY C
HVSL 630 02 2 C

KEY D
HVSL 630 02 2 D

KEY E
HVSL 630 02 2 E

DIMENSIONS	TOLERANCES	PROJECTION
ANSI Y14.5M	X ± 0.1	
UNITS: MM	.XX ±0.02	
CAD FILE	ANGLES ±0.5°	

Amphenol Pcd Shenzhen

ENGR G.TANG 2013.09.16
CHKD

TITLE
HVSL630
RECEPTACLE ASSEMBLY

ORIGINAL NOT FOR CUSTOMER DISTRIBUTION
THIS DOCUMENT CONTAINS PROPRIETARY INFORMATION WHICH IS THE CONFIDENTIAL PROPERTY OF AMPHENOL PCD SHENZHEN

APPD

SIZE	DWG NO.	REV
A3	C-HVSL 630 02 2 X	3

CODE: SCALE 1:1 SHEET 1 OF 1

C-HVSL 630 02 2 X