

Vehicle charging inlet - CHARX T2HBI12-1AC32DC250-2,0M2



1162148

<https://www.phoenixcontact.com/gb/products/1162148>

Please be informed that the data shown in this PDF document is generated from our Online Catalog. Please find the complete data in the user documentation. Our General Terms of Use for Downloads are valid.



CHARX connect, Vehicle charging inlet, for charging with alternating current (AC) and with direct current (DC), CCS type 2, IEC 62196-2, IEC 62196-3, 250 A / 1000 V (DC), 32 A / 250 V (AC), length: 2 m (AC cables), locking actuator: 12 V, 4-pos., Front and rear mounting, M6, X-Line, housing: black, A protective cap is supplied as standard for the DC and AC contacts.

Product Description

Vehicle charging inlet for charging with direct current (DC), compatible with type 2 CCS vehicle charging connectors (EVSE), for installation in electric vehicles for electromobility (EV).

Your advantages

- Complete product range
- Uniform, space-saving dimensions for the installation space and the screw connection points of all Phoenix Contact vehicle charging inlets
- Developed and produced in accordance with the IATF 16949 automotive standard and ISO 9001
- Safe against overheating with temperature measurement at every DC power contact
- Integrated interlock during charging
- Manual emergency release of the locking actuator
- Protected and sealed against dirt and water with a high degree of protection

Commercial Data

Item number	1162148
Packing unit	1 pc
Minimum order quantity	1 pc
Sales Key	XWCAID
Product Key	XWCAID
GTIN	4063151171575
Weight per Piece (including packing)	7,130 g
Weight per Piece (excluding packing)	6.94 g
Country of origin	PL

Vehicle charging inlet - CHARX T2HBI12-1AC32DC250-2,0M2



1162148

<https://www.phoenixcontact.com/gb/products/1162148>

Technical Data

Notes

General	A protective cap is supplied as standard for the DC and AC contacts.
---------	--

Product properties

Product type	Vehicle charging inlet
Application	for charging with alternating current (AC) and with direct current (DC) for installation in electric vehicles (EV) Combined Charging System
Locking type	Locking in the inserted state with a locking mechanism
Charging standard	CCS type 2
Charging mode	Mode 2, 3, 4

Electrical properties

Type of signal transmission	Pulse width modulation with modulated Powerline communication in accordance with ISO/IEC 15118 / DIN SPEC 70121
Note on the connection method	Crimp connection, cannot be disconnected
Insulation resistance	> 200 M Ω
Coding	4.7 k Ω (between PE and PP)
Temperature measurement	DC contacts: 2x PT1000 (DIN EN 60751)
Temperature monitoring	AC contacts: PTC chain (DIN EN 60738-1)
Type of charging current	AC single-phase
Charging power	8 kW
Charging current	32 A
Type of charging current	DC
Charging power	250 kW
Charging current	250 A
Type of charging current	DC Boost Mode
Charging power	up to 500 kW (Boost Mode, depending on the ambient conditions. For detailed information, see the packing slip in the download area for this item.)
Charging current	up to 500 A (Boost Mode, depending on the ambient conditions. For detailed information, see the packing slip in the download area for this item.)

Power contact

Number	5 (L1, N, PE, DC+, DC-)
Rated voltage	250 V AC 1000 V DC
Rated current	32 A AC 250 A DC

Signal contact

Vehicle charging inlet - CHARX T2HBI12-1AC32DC250-2,0M2



1162148

<https://www.phoenixcontact.com/gb/products/1162148>

Number	2 (CP, PP)
Rated voltage	30 V AC
Rated current	2 A

(PTC chain)

Sensor type	PTC chain
Standards/regulations	DIN EN 60738-1
Messbereich_Widerstand	790 Ω ... 1420 Ω
Resistance	max. 1280 Ω ±5 K
Recommended measured current	≤ 1 mA (U _{max} = 16 V DC)
TEST Umgebungstemperatur Neu	-40 °C ... 130 °C
Cable structure	5 x 0,5 mm ²
External cable diameter	1.6 mm -0.2 mm
Bending radius	min. 15 mm
Cable weight	7 kg/km
Cable resistance	≤ 37.1 Ω/km
Single wire, color	brown, gray brown, yellow, green

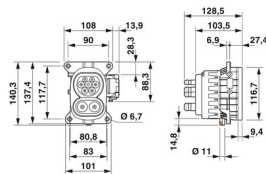
(Pt 1000)

Sensor type	Pt 1000
Standards/regulations	DIN EN 60751

Locking actuator

Operating voltage	12 V
Note number of positions	4-pos.
Position of the locking actuator	right-side

Dimensions

Dimensional drawing	
Width	108 mm
Height	140.25 mm
Depth	128.4 mm
Bore dimensions	117.65 mm x 90 mm, 117.65 mm x 83 mm

Material specifications

Material	Plastic Silver
----------	-------------------

Connector

Insertion/withdrawal cycles	> 10000
-----------------------------	---------

Vehicle charging inlet - CHARX T2HBI12-1AC32DC250-2,0M2



1162148

<https://www.phoenixcontact.com/gb/products/1162148>

Cable / line

Cable length	2 m (AC cables)
	2 m (DC cables)
	2 m (PE cable)
	1 m (Locking actuator cables)
	1 m (Temperature sensors cables)
	1 m (Communications cables)

AC cable

Cable weight	approx. 285 kg/km
Conductor structure	2 x 6 mm ²
External cable diameter	12.6 mm ±0.2 mm
Outer sheath, material	Silicone
External sheath, color	orange
Conductor resistance	≤ 3.2 Ω/km
Cable weight	approx. 1150 kg/km
Conductor structure	2 x 95 mm ²
External cable diameter	20.6 mm ±0.3 mm
Outer sheath, material	Silicone
External sheath, color	orange
Conductor resistance	≤ 0.196 Ω/km
Cable weight	approx. 251 kg/km
Conductor structure	1 x 25 mm ²
External cable diameter	8.6 mm ±0.1 mm
Outer sheath, material	Silicone
External sheath, color	green-yellow
Conductor resistance	≤ 0.743 Ω/km

Communication cable

Cable weight	7 kg/km
Conductor structure	0.5 mm ² + 0.5 mm ²
External cable diameter	1.6 mm -0.2 mm
Outer sheath, material	PVC
Conductor resistance	≤ 37.1 Ω/km
Single wire, cross section	6 mm ²

Mechanical properties

Mechanical data

Insertion force	< 100 N
Withdrawal force	< 100 N

Environmental and real-life conditions

Ambient conditions

Vehicle charging inlet - CHARX T2HBI12-1AC32DC250-2,0M2



1162148

<https://www.phoenixcontact.com/gb/products/1162148>

Degree of protection	IP55 (plugged in; when plugged in and ready to operate, the degree of protection is only ensured if both plug-in components are original products from Phoenix Contact or suitable standard-compliant products)
	IP67 (Inner area of vehicle charging inlet)
Altitude	4000 m (above sea level)

Standards and regulations

Standards

Standards/regulations	IEC 62196-2
	IEC 62196-3

Mounting

Mounting type	Front and rear mounting (0 to 90 degree frontal inclination possible)
Mounting hole diameter	6.70 mm (ø)
Fixing screws	M6
Screws included in the scope of delivery	none

Vehicle charging inlet - CHARX T2HBI12-1AC32DC250-2,0M2

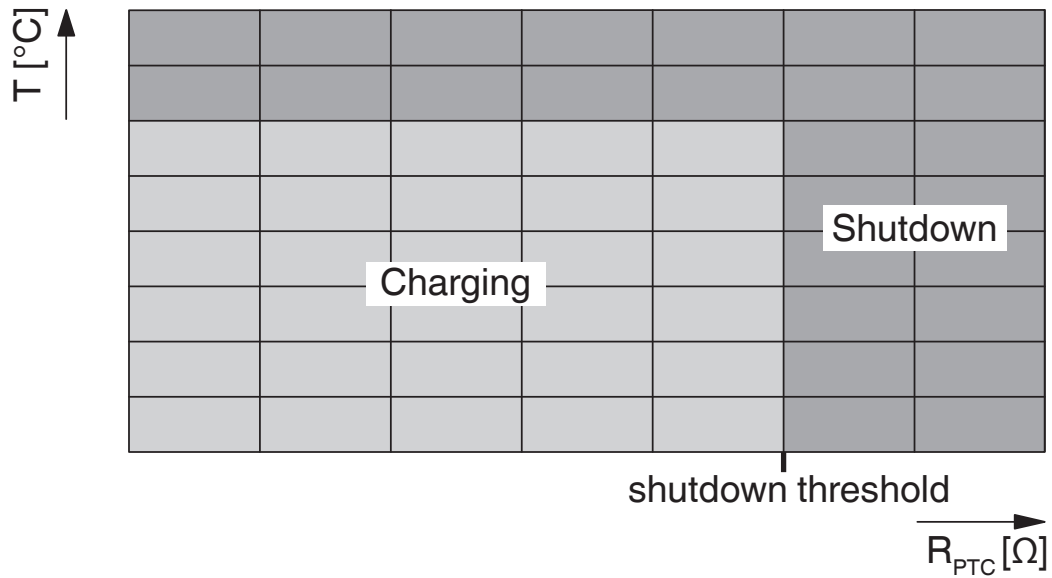


1162148

<https://www.phoenixcontact.com/gb/products/1162148>

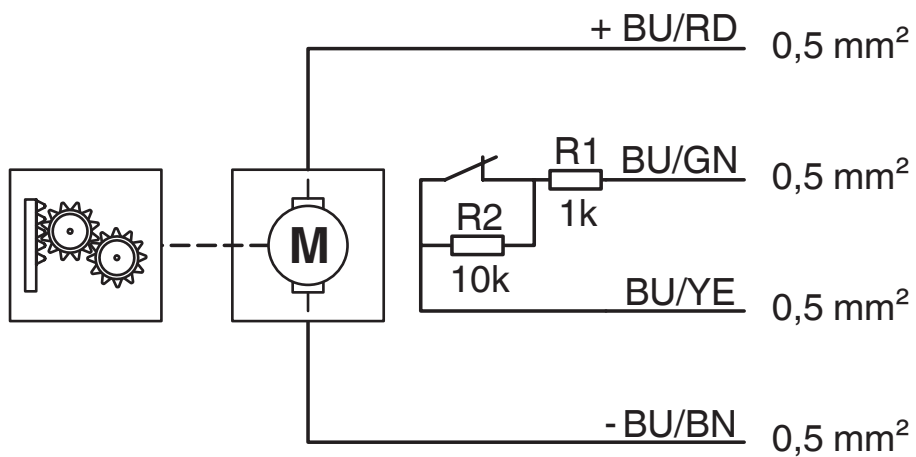
Drawings

Schematic diagram



Temperature sensor technology resistance range at AC contacts

Schematic diagram



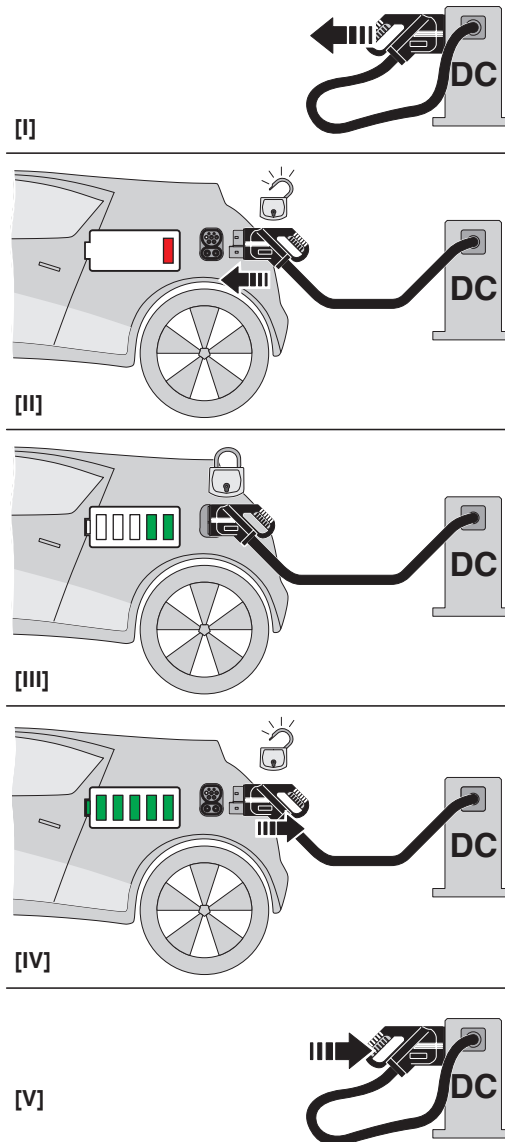
Block diagram of the locking actuator

Vehicle charging inlet - CHARX T2HBI12-1AC32DC250-2,0M2

1162148

<https://www.phoenixcontact.com/gb/products/1162148>

Schematic diagram



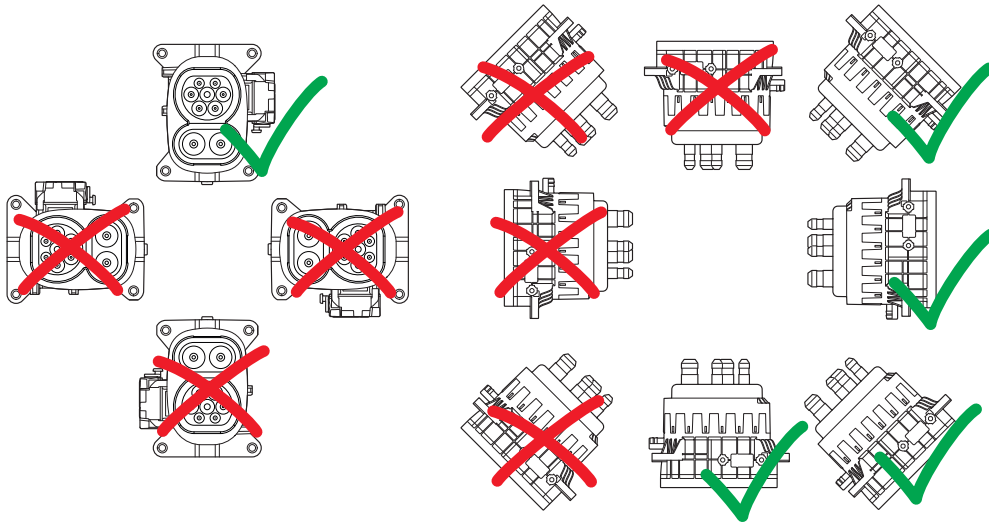
Operating instructions

Vehicle charging inlet - CHARX T2HBI12-1AC32DC250-2,0M2

1162148

<https://www.phoenixcontact.com/gb/products/1162148>

Connection diagram

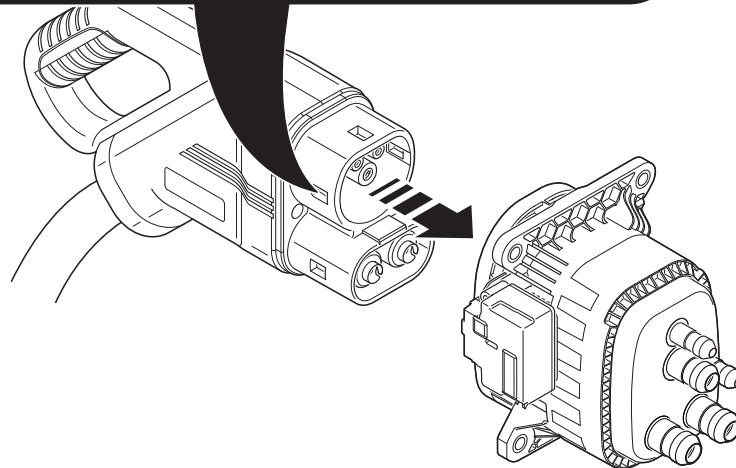
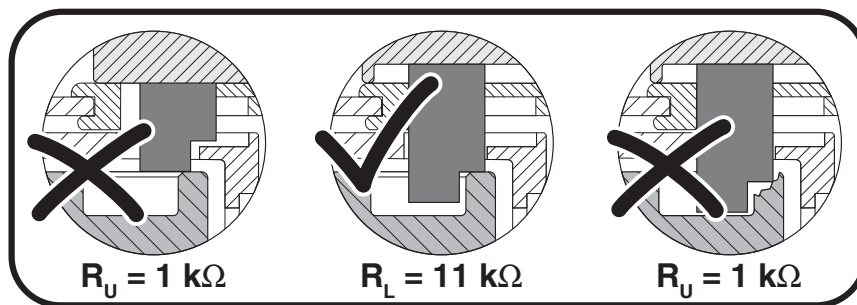
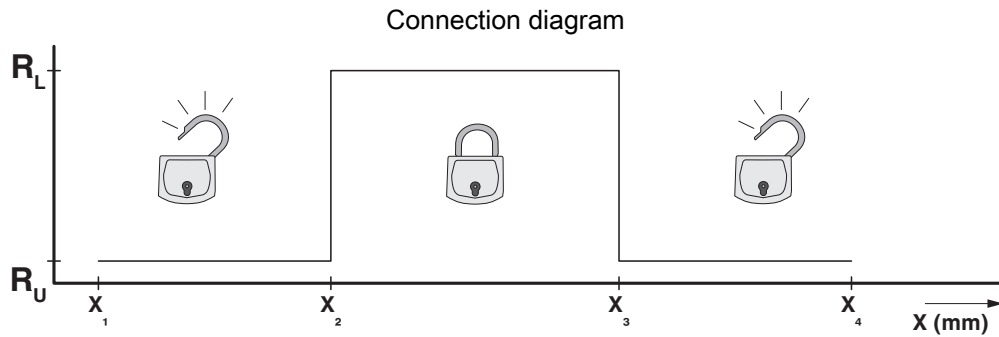


Installation positions

Vehicle charging inlet - CHARX T2HBI12-1AC32DC250-2,0M2

1162148

<https://www.phoenixcontact.com/gb/products/1162148>



Detection for Vehicle Connector

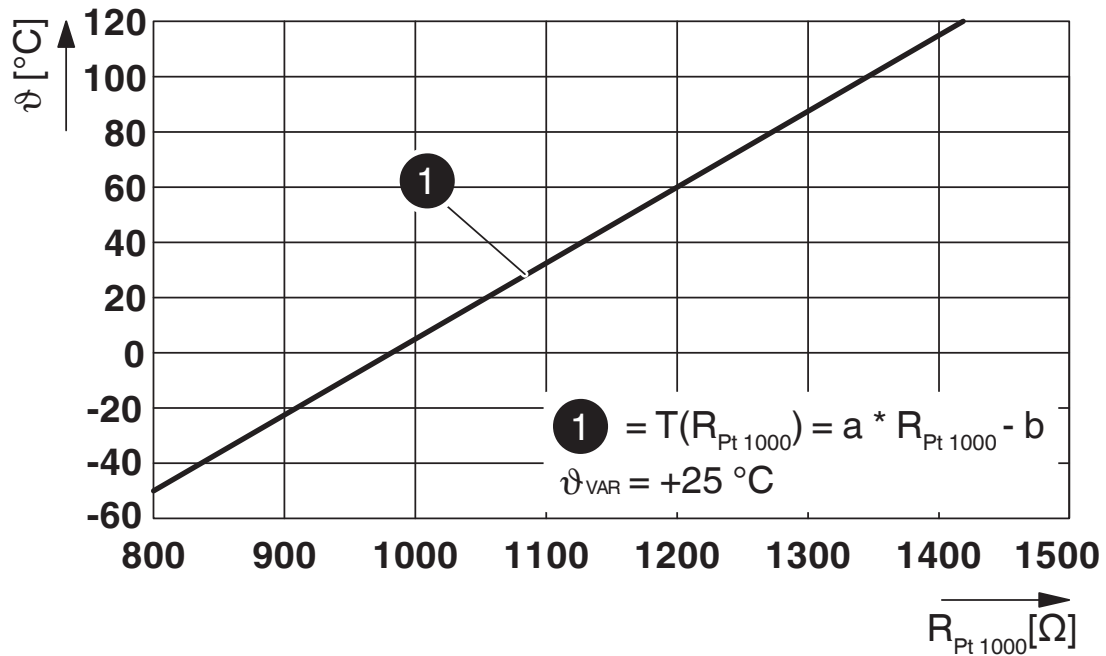
Vehicle charging inlet - CHARX T2HBI12-1AC32DC250-2,0M2



1162148

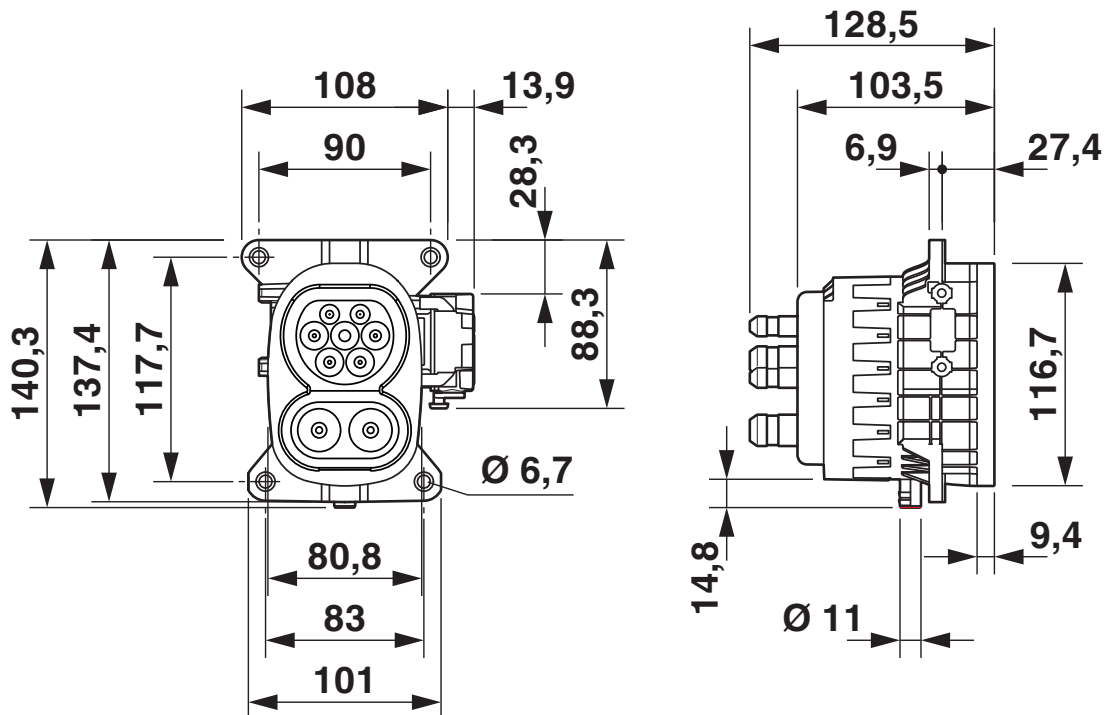
<https://www.phoenixcontact.com/gb/products/1162148>

Diagram



Pt 1000 characteristic curve at an ambient temperature of 25°C for temperature measurement at the DC contacts

Dimensional drawing



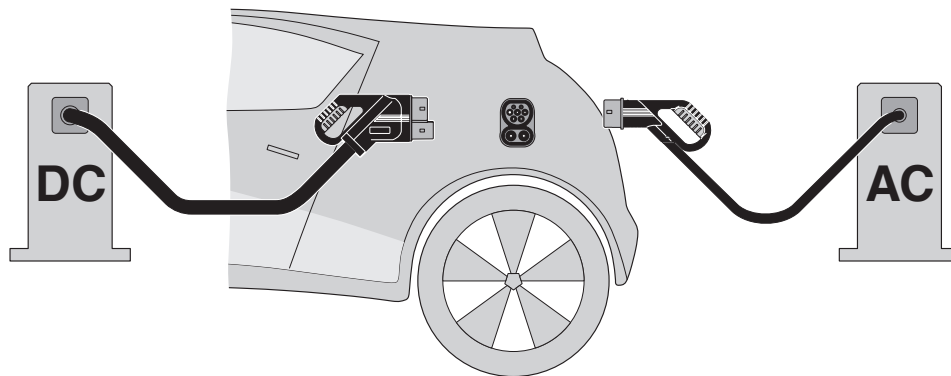
Dimensional drawing

Vehicle charging inlet - CHARX T2HBI12-1AC32DC250-2,0M2

1162148

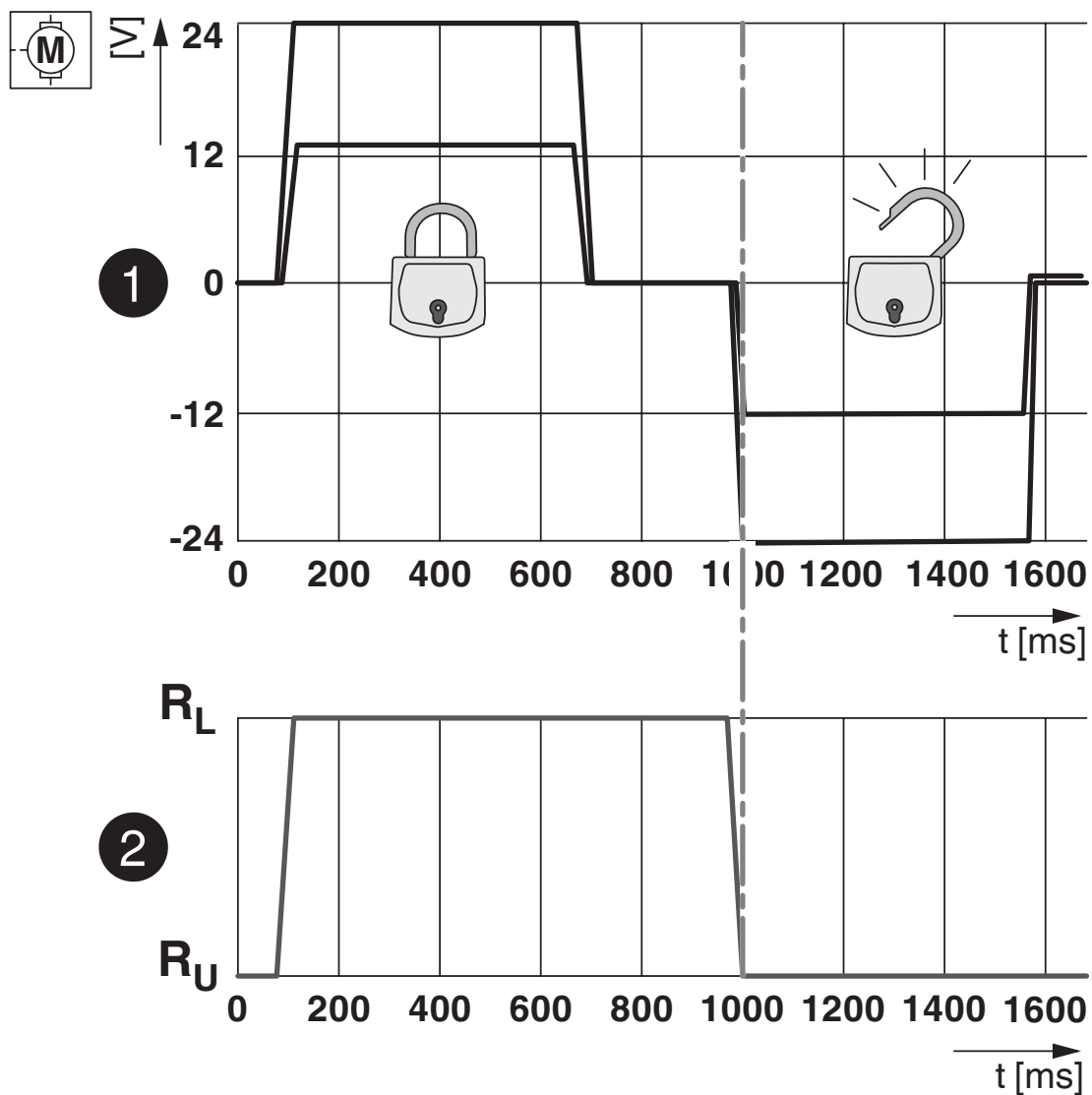
<https://www.phoenixcontact.com/gb/products/1162148>

Schematic diagram



The Combined Charging System (CCS) principle - standard-compliant charging system for electric vehicles, which supports both conventional AC charging and fast DC charging. Both Vehicle Connectors fit into the CCS Vehicle Inlet.

Diagram



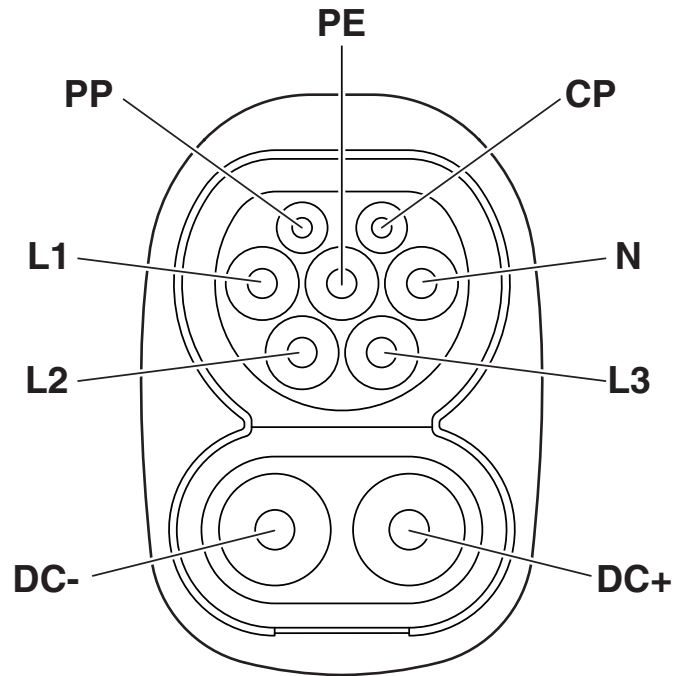
Locking states of the locking actuator

Vehicle charging inlet - CHARX T2HBI12-1AC32DC250-2,0M2

1162148

<https://www.phoenixcontact.com/gb/products/1162148>

Connection diagram



Pin assignment of vehicle charging inlets

Vehicle charging inlet - CHARX T2HBI12-1AC32DC250-2,0M2



1162148

<https://www.phoenixcontact.com/gb/products/1162148>

Classifications

ECLASS

ECLASS-9.0	27144706
ECLASS-10.0.1	27144706
ECLASS-11.0	27144706

ETIM

ETIM 8.0	EC002898
----------	----------

UNSPSC

UNSPSC 21.0	39121800
-------------	----------

Vehicle charging inlet - CHARX T2HBI12-1AC32DC250-2,0M2



1162148

<https://www.phoenixcontact.com/gb/products/1162148>

Environmental Product Compliance

REACH SVHC	Lead 7439-92-1
	DOTe 15571-58-1
	Dechlorane Plus

Phoenix Contact 2022 © - all rights reserved
<https://www.phoenixcontact.com>

PHOENIX CONTACT Ltd
Halesfield 13, Telford
Shropshire, TF7 4PG
01952 681700
info@phoenixcontact.co.uk