

Infrastructure charging socket set - EV-T2M3SO12-4P-B-SET



1164417

<https://www.phoenixcontact.com/in/products/1164417>

Please be informed that the data shown in this PDF document is generated from our Online Catalog. Please find the complete data in the user documentation. Our General Terms of Use for Downloads are valid.



CHARX connect, Infrastructure charging socket set, for charging electric vehicles (EV) with alternating current (AC), can be reconnected, with rear protective cap for strain relief and touch protection, Type 2, IEC 62196-2, 32 A / 480 V (AC), locking actuator: 12 V, 4-pos., Rear panel mounting, M5 thread, B-Line, housing: black, PHOENIX CONTACT logo

Product Description

Infrastructure charging sockets with protective cover, for charging electric vehicles (EV) with alternating current (AC), compatible with Type 2 Infrastructure Plugs. For installation at charging stations for E-Mobility (EVSE)

Your advantages

- Protected against overheating with precise temperature measurement
- Flexible mounting and easy maintenance with plug-in cables
- Available with your logo on request – for consistent branding of your charging station
- Waterproof and dirtproof due to fully molded contacts
- Developed and produced in accordance with the IATF 16949 automotive standard and ISO 9001
- Uniform, space-saving installation space

Commercial Data

| | |
|--------------------------------------|---------------|
| Item number | 1164417 |
| Packing unit | 1 pc |
| Minimum order quantity | 1 pc |
| Sales Key | ***** |
| Product Key | XWBADC |
| GTIN | 4063151176075 |
| Weight per Piece (including packing) | 541 g |
| Weight per Piece (excluding packing) | 541.7 g |
| Customs tariff number | 85366990 |
| Country of origin | DE |

Infrastructure charging socket set - EV-T2M3SO12-4P-B-SET



1164417

<https://www.phoenixcontact.com/in/products/1164417>

Set consists of

Infrastructure charging socket without cable

Infrastructure charging socket without cable - EV-T2M3SO12-4P-B - 1164300

<https://www.phoenixcontact.com/in/products/1164300>



CHARX connect, Infrastructure charging socket without cable, for charging electric vehicles (EV) with alternating current (AC), can be reconnected, Type 2, IEC 62196-2, 32 A / 480 V (AC), locking actuator: 12 V, 4-pos., Rear panel mounting, M5 thread, B-Line, housing: black, PHOENIX CONTACT logo

Protective cover

Protective cover - EV-T2SOC-B - 1164293

<https://www.phoenixcontact.com/in/products/1164293>



CHARX connect, Protective cover, Accessories, for attaching to infrastructure charging sockets, self-closing, Type 2, IEC 62196-2, Front mounting, M5 thread, B-Line, Embossed PHOENIX CONTACT logo

Infrastructure charging socket set - EV-T2M3SO12-4P-B-SET



1164417

<https://www.phoenixcontact.com/in/products/1164417>

Shock protection

Shock protection - EV-T2M3SO-CAP - 1202424

<https://www.phoenixcontact.com/in/products/1202424>



CHARX connect, Shock protection, Accessories, for plugging onto the rear of the infrastructure charging socket, Type 2, IEC 62196-2, B-Line, P-Line

Infrastructure charging socket set - EV-T2M3SO12-4P-B-SET



1164417

<https://www.phoenixcontact.com/in/products/1164417>

Technical Data

Product properties

| | |
|-------------------|--|
| Product type | Infrastructure charging socket set |
| Application | for charging electric vehicles (EV) with alternating current (AC) compatible with infrastructure charging plugs |
| Design | can be reconnected with rear protective cap for strain relief and touch protection |
| Locking type | Locking in the inserted state with a locking mechanism |
| Affixed logo | PHOENIX CONTACT logo |
| Charging standard | Type 2 |
| Charging mode | Mode 3, Case B |

Electrical properties

| | |
|-------------------------------|---|
| Type of signal transmission | Pulse width modulation |
| Note on the connection method | Connection via spade connector, separable |
| Type of charging current | AC 3-phase |
| Charging power | max. 26.6 kW |
| Charging current | max. 32 A |

Power contact

| | |
|---------------|-----------------------|
| Number | 5 (L1, L2, L3, N, PE) |
| Rated voltage | 480 V AC |
| Rated current | 32 A |

Signal contact

| | |
|---------------|------------|
| Number | 2 (CP, PP) |
| Rated voltage | 30 V AC |
| Rated current | 2 A |

Locking actuator

| | |
|----------------------------------|------------|
| Operating voltage | 12 V |
| Note number of positions | 4-pos. |
| Position of the locking actuator | top center |

Locking actuator

| | |
|--|---------------------|
| Possible power supply range at the motor | 9 V ... 16 V |
| Maximum voltage for locking detection | 30 V |
| Typical motor current for locking | 0.2 A |
| Reverse current of the motor | max. 1 A |
| Max. dwell time with reverse current | 1000 ms |
| Recommended adaptation time | 600 ms |
| Pause time after entry or exit path | 3 s |
| Service life insertion cycles | > 10000 load cycles |
| Lock recognition | available |

Infrastructure charging socket set - EV-T2M3SO12-4P-B-SET



1164417

<https://www.phoenixcontact.com/in/products/1164417>

| | |
|---------------------------------|-------------------------|
| Mechanical emergency release | available |
| Ambient temperature (operation) | -30 °C ... 50 °C |
| Cable length | 0.5 m |
| Cable structure | 4 x 0.5 mm ² |

Dimensions

| | |
|-----------------|---|
| Width | 75 mm |
| Height | 91.71 mm |
| Depth | 87.95 mm (with attachable cap for strain relief and touch protection, see accessories) 73.35 mm (without attachable cap for strain relief and touch protection, see accessories) |
| Bore dimensions | 60 mm x 60 mm |

Material specifications

| | |
|----------|--------|
| Material | Silver |
|----------|--------|

Connector

| | |
|-----------------------------|---------|
| Insertion/withdrawal cycles | > 10000 |
|-----------------------------|---------|

Cable / line

| | |
|----------------------------|-------------------|
| Cable type | without cable |
| Single wire, cross section | 6 mm ² |

Mechanical properties

Mechanical data

| | |
|------------------|---------|
| Insertion force | < 100 N |
| Withdrawal force | < 100 N |

Environmental and real-life conditions

Ambient conditions

| | |
|---|--|
| Degree of protection (when plugged in) | IP44 (plugged in) |
| Degree of protection | IP44 (plugged in) IP54 (with protective cover, see accessories) |
| Ambient temperature (operation) | -30 °C ... 50 °C |
| Ambient temperature (storage/transport) | -40 °C ... 80 °C |
| Altitude | 5000 m (above sea level) |

Standards and regulations

Standards

| | |
|-----------------------|-------------|
| Standards/regulations | IEC 62196-2 |
|-----------------------|-------------|

Mounting

| | |
|--|---|
| Mounting type Infrastructure charging socket | Rear panel mounting (0 to 90 degree frontal inclination possible) |
|--|---|

Infrastructure charging socket set - EV-T2M3SO12-4P-B-SET



1164417

<https://www.phoenixcontact.com/in/products/1164417>

| | |
|--|---|
| Mounting type Protective cover | Rear panel mounting (available separately) |
| Max. wall thickness | max. 50 mm (Rear panel mounting, normative maximum specification for infrastructure plug) |
| | max. 28 mm (Rear mounting, normative maximum specification for infrastructure plug when using protective cover 1405217) |
| Mounting hole diameter | 7.00 mm (ø) |
| Fixing screws | M5 thread |
| Screws included in the scope of delivery | none |

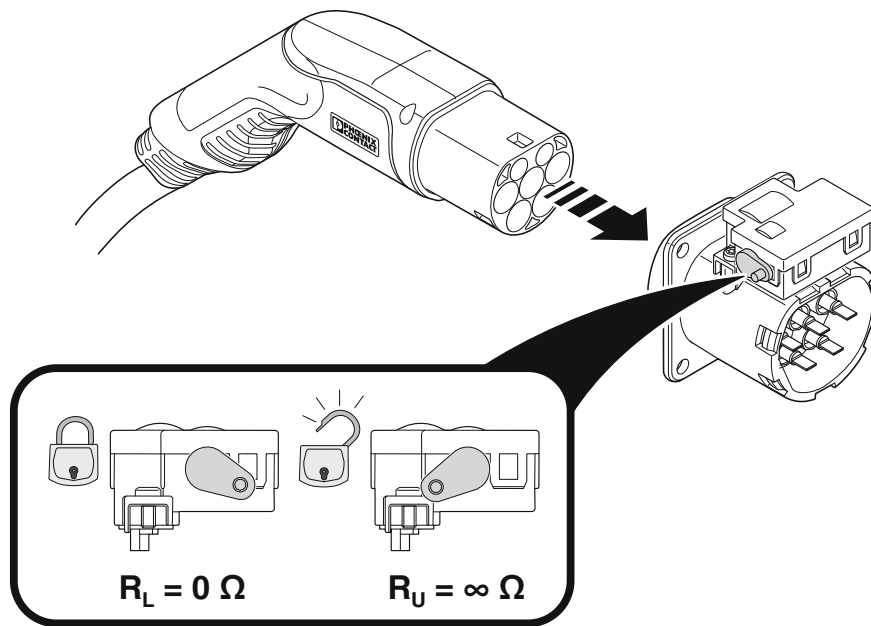
Infrastructure charging socket set - EV-T2M3SO12-4P-B-SET

1164417

<https://www.phoenixcontact.com/in/products/1164417>

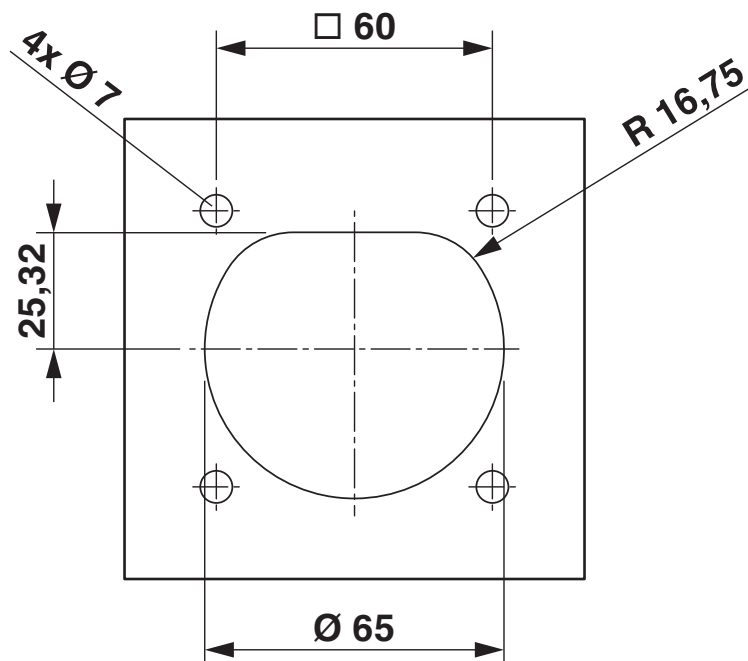
Drawings

Schematic diagram



Position of the emergency unlocking lever on the locking actuator

Schematic diagram



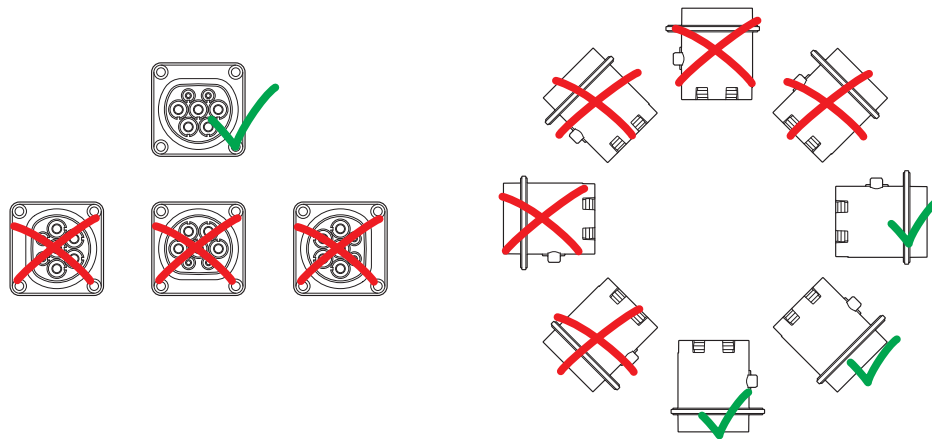
Hole image

Infrastructure charging socket set - EV-T2M3SO12-4P-B-SET

1164417

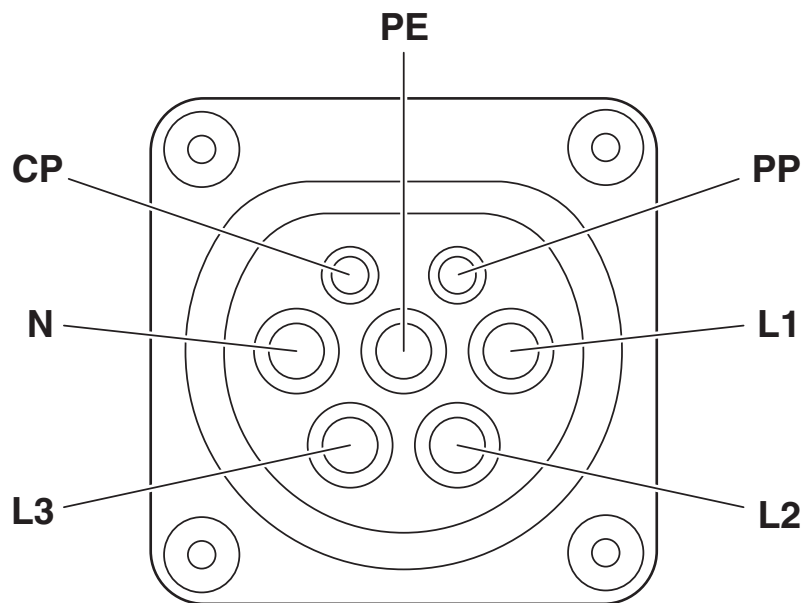
<https://www.phoenixcontact.com/in/products/1164417>

Schematic diagram



Installation positions

Connection diagram



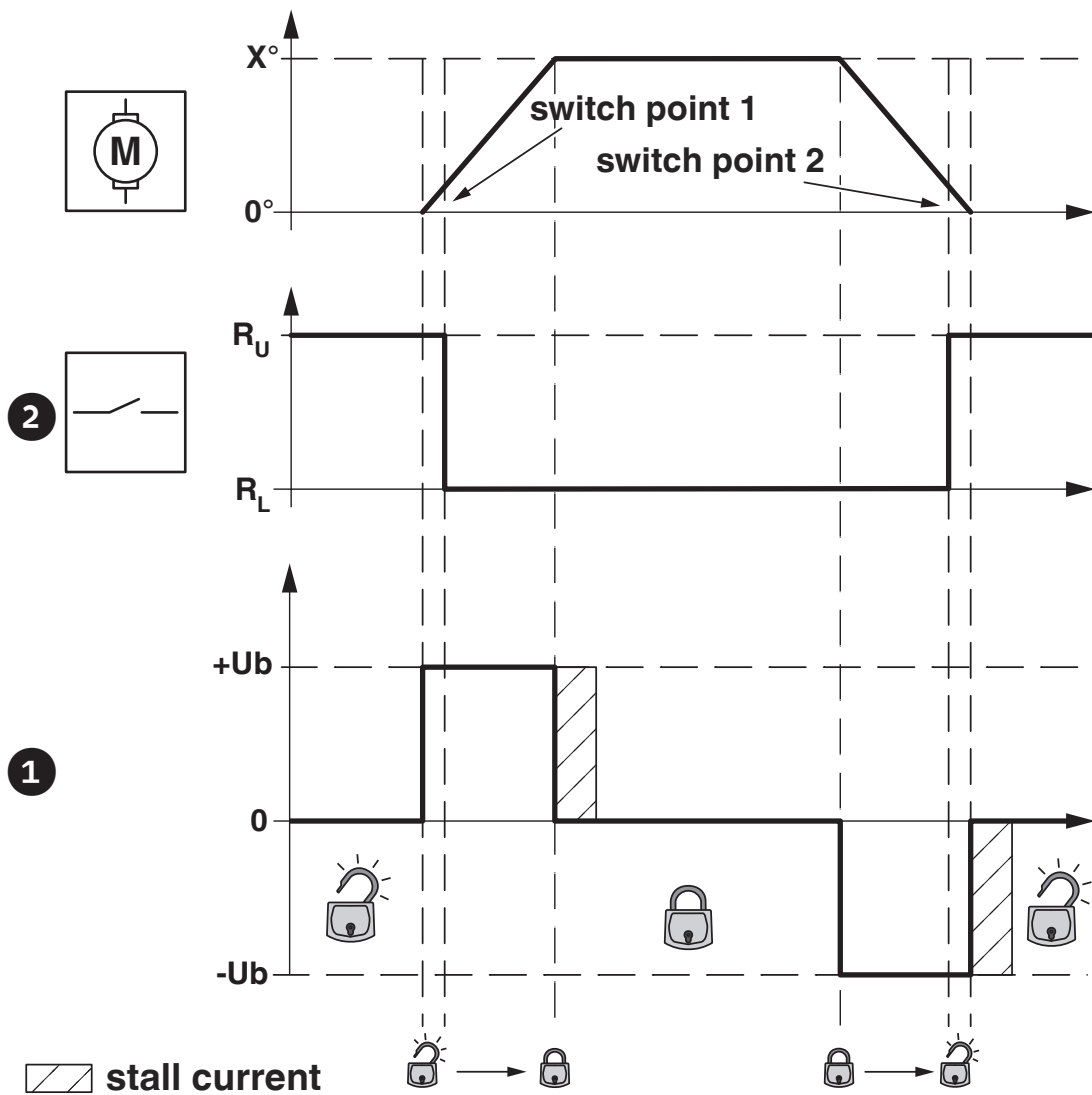
Pin assignment of infrastructure charging socket

Infrastructure charging socket set - EV-T2M3SO12-4P-B-SET

1164417

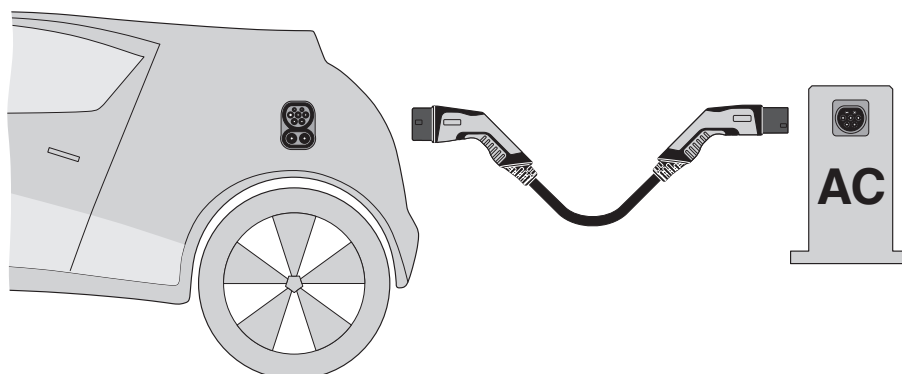
<https://www.phoenixcontact.com/in/products/1164417>

Schematic diagram



Locking states of the locking actuator

Schematic diagram



Operating instructions

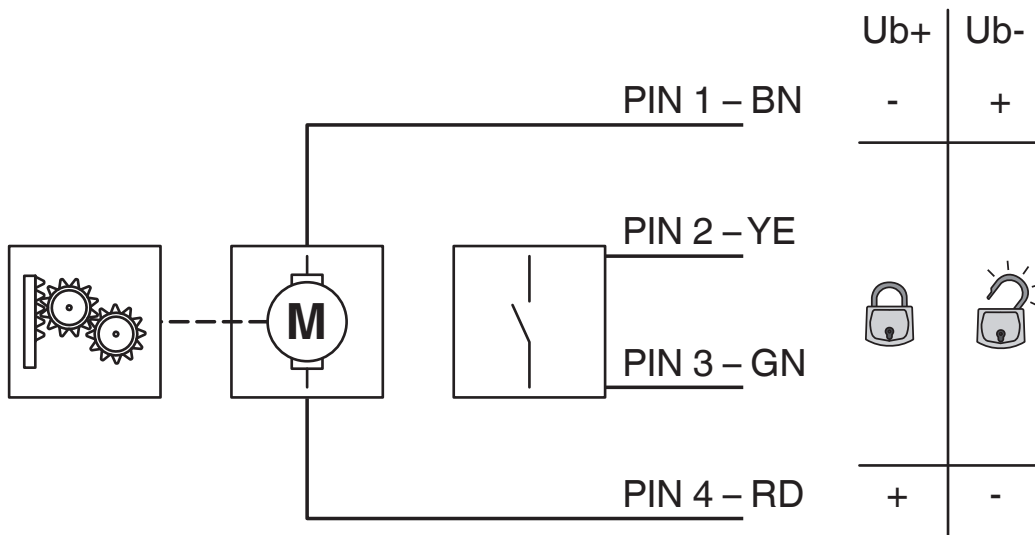
Infrastructure charging socket set - EV-T2M3SO12-4P-B-SET



1164417

<https://www.phoenixcontact.com/in/products/1164417>

Block diagram



Block diagram of the locking actuator

Infrastructure charging socket set - EV-T2M3SO12-4P-B-SET



1164417

<https://www.phoenixcontact.com/in/products/1164417>

Classifications

ECLASS

| | |
|---------------|----------|
| ECLASS-9.0 | 27144706 |
| ECLASS-10.0.1 | 27144706 |
| ECLASS-11.0 | 27144706 |

ETIM

| | |
|----------|----------|
| ETIM 8.0 | EC002898 |
|----------|----------|

UNSPSC

| | |
|-------------|----------|
| UNSPSC 21.0 | 39121800 |
|-------------|----------|

Infrastructure charging socket set - EV-T2M3SO12-4P-B-SET



1164417

<https://www.phoenixcontact.com/in/products/1164417>

Environmental Product Compliance

| | |
|------------|--|
| REACH SVHC | Lead 7439-92-1 |
| China RoHS | Environmentally Friendly Use Period = 10; |
| | For information on hazardous substances, refer to the manufacturer's declaration available under "Downloads" |

Infrastructure charging socket set - EV-T2M3SO12-4P-B-SET



1164417

<https://www.phoenixcontact.com/in/products/1164417>

Accessories

Label

Label - EV-LABEL-C-SO - 1315521

<https://www.phoenixcontact.com/in/products/1315521>

CHARX connect, Label, Accessories, for AC charging cables and infrastructure charging sockets, DIN EN 17186, B-Line, P-Line, Marking C for AC type 2 infrastructure charging plugs and type 2 infrastructure charging sockets



Protective cover

Protective cover - EV-T2SOC-B - 1164293

<https://www.phoenixcontact.com/in/products/1164293>

CHARX connect, Protective cover, Accessories, for attaching to infrastructure charging sockets, self-closing, Type 2, IEC 62196-2, Front mounting, M5 thread, B-Line, Embossed PHOENIX CONTACT logo



Infrastructure charging socket set - EV-T2M3SO12-4P-B-SET



1164417

<https://www.phoenixcontact.com/in/products/1164417>

Cable set for infrastructure charging socket

Cable set for infrastructure charging socket - EV-T2M3SOW-1AC32A-0,3M6,0E - 1164343

<https://www.phoenixcontact.com/in/products/1164343>



CHARX connect, Cable set for infrastructure charging socket, Accessories, Only for connection to generation 2 infrastructure charging sockets from Phoenix Contact, with slip-on sleeve at one end, Type 2, IEC 62196-2, 32 A / 250 V (AC), length: 0.3 m, Plug-in mounting, B-Line, P-Line

Cable set for infrastructure charging socket

Cable set for infrastructure charging socket - EV-T2M3SOW-3AC20A-0,3M2,5E - 1164355

<https://www.phoenixcontact.com/in/products/1164355>



CHARX connect, Cable set for infrastructure charging socket, Accessories, Only for connection to generation 2 infrastructure charging sockets from Phoenix Contact, with slip-on sleeve at one end, Type 2, IEC 62196-2, 20 A / 480 V (AC), length: 0.3 m, Plug-in mounting, B-Line, P-Line

Infrastructure charging socket set - EV-T2M3SO12-4P-B-SET



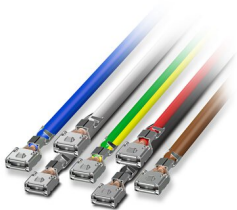
1164417

<https://www.phoenixcontact.com/in/products/1164417>

Cable set for infrastructure charging socket

Cable set for infrastructure charging socket - EV-T2M3SOW-3AC32A-0,3M6,0E - 1164362

<https://www.phoenixcontact.com/in/products/1164362>

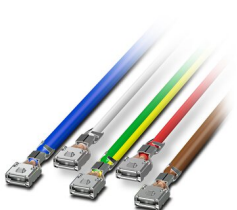


CHARX connect, Cable set for infrastructure charging socket, Accessories, Only for connection to generation 2 infrastructure charging sockets from Phoenix Contact, with slip-on sleeve at one end, Type 2, IEC 62196-2, 32 A / 480 V (AC), length: 0.3 m, Plug-in mounting, B-Line, P-Line

Cable set for infrastructure charging socket

Cable set for infrastructure charging socket - EV-T2M3SOW-1AC32A-0,7M6,0E - 1164344

<https://www.phoenixcontact.com/in/products/1164344>



CHARX connect, Cable set for infrastructure charging socket, Accessories, Only for connection to generation 2 infrastructure charging sockets from Phoenix Contact, with slip-on sleeve at one end, Type 2, IEC 62196-2, 32 A / 250 V (AC), length: 0.7 m, Plug-in mounting, B-Line, P-Line

Infrastructure charging socket set - EV-T2M3SO12-4P-B-SET



1164417

<https://www.phoenixcontact.com/in/products/1164417>

Cable set for infrastructure charging socket

Cable set for infrastructure charging socket - EV-T2M3SOW-3AC20A-0,7M2,5E - 1164361

<https://www.phoenixcontact.com/in/products/1164361>



CHARX connect, Cable set for infrastructure charging socket, Accessories, Only for connection to generation 2 infrastructure charging sockets from Phoenix Contact, with slip-on sleeve at one end, Type 2, IEC 62196-2, 20 A / 480 V (AC), length: 0.7 m, Plug-in mounting, B-Line, P-Line

Cable set for infrastructure charging socket

Cable set for infrastructure charging socket - EV-T2M3SOW-3AC32A-0,7M6,0E - 1164365

<https://www.phoenixcontact.com/in/products/1164365>



CHARX connect, Cable set for infrastructure charging socket, Accessories, Only for connection to generation 2 infrastructure charging sockets from Phoenix Contact, with slip-on sleeve at one end, Type 2, IEC 62196-2, 32 A / 480 V (AC), length: 0.7 m, Plug-in mounting, B-Line, P-Line

Infrastructure charging socket set - EV-T2M3SO12-4P-B-SET



1164417

<https://www.phoenixcontact.com/in/products/1164417>

Shock protection

Shock protection - EV-T2M3SO-CAP - 1202424

<https://www.phoenixcontact.com/in/products/1202424>



CHARX connect, Shock protection, Accessories, for plugging onto the rear of the infrastructure charging socket, Type 2, IEC 62196-2, B-Line, P-Line

AC charging controller

AC charging controller - CHARX SEC-1000 - 1139034

<https://www.phoenixcontact.com/in/products/1139034>



CHARX control modular, AC charging controller, IEC 61851-1, operating mode: Stand-Alone, Client, interface: CHARX control modular system bus, Connectable peripheral devices: Energy meter, RFID, DC residual current detection, DIN rail mounting

Infrastructure charging socket set - EV-T2M3SO12-4P-B-SET



1164417

<https://www.phoenixcontact.com/in/products/1164417>

AC charging controller

AC charging controller - CHARX SEC-3000 - 1139022

<https://www.phoenixcontact.com/in/products/1139022>



CHARX control modular, AC charging controller, with Embedded Linux system, IEC 61851-1, operating mode: Stand-Alone, Client, Server, interface: Ethernet (2 x), CHARX control modular system bus, MICRO-USB type C, communication protocol: OCPP 1.6J, Modbus/TCP, MQTT, Connectable peripheral devices: Energy meter, RFID, DC residual current detection, DIN rail mounting

AC charging controller

AC charging controller - CHARX SEC-3050 - 1139018

<https://www.phoenixcontact.com/in/products/1139018>



CHARX control modular, AC charging controller, with Embedded Linux system, IEC 61851-1, ISO 15118, operating mode: Stand-Alone, Client, Server, interface: Ethernet (2x), CHARX control modular system bus, MICRO-USB type C, communication protocol: OCPP 1.6J, Modbus/TCP, MQTT, Connectable peripheral devices: Energy meter, RFID, DC residual current detection, DIN rail mounting

Infrastructure charging socket set - EV-T2M3SO12-4P-B-SET



1164417

<https://www.phoenixcontact.com/in/products/1164417>

AC charging controller

AC charging controller - CHARX SEC-3100 - 1139012

<https://www.phoenixcontact.com/in/products/1139012>



CHARX control modular, AC charging controller, with Embedded Linux system, IEC 61851-1, operating mode: Stand-Alone, Client, Server, interface: Ethernet (2 x), Cellular communication (4G/2G), CHARX control modular system bus, MICRO-USB type C, communication protocol: OCPP 1.6J, Modbus/TCP, MQTT, Connectable peripheral devices: Energy meter, RFID, DC residual current detection, DIN rail mounting

AC charging controller

AC charging controller - CHARX SEC-3150 - 1138965

<https://www.phoenixcontact.com/in/products/1138965>



CHARX control modular, AC charging controller, with Embedded Linux system, IEC 61851-1, ISO 15118, operating mode: Stand-Alone, Client, Server, interface: Ethernet (2x), Cellular communication (4G/2G), CHARX control modular system bus, MICRO-USB type C, communication protocol: OCPP 1.6J, Modbus/TCP, MQTT, Connectable peripheral devices: Energy meter, RFID, DC residual current detection, DIN rail mounting

Infrastructure charging socket set - EV-T2M3SO12-4P-B-SET



1164417

<https://www.phoenixcontact.com/in/products/1164417>

AC charging controller

AC charging controller - EM-CP-PP-ETH - 2902802

<https://www.phoenixcontact.com/in/products/2902802>



EV charge control is used to charge electrical vehicles on the 3-phase AC mains power supply according to IEC 61851-1 Mode 3. All necessary control functions are integrated. Additional functions are available for various charging applications.

Lightning/surge arrester type 1/2

Lightning/surge arrester type 1/2 - VAL-EV-T1/T2 264/12.5/3+1 - 1180149

<https://www.phoenixcontact.com/in/products/1180149>



CHARX protect: pluggable lightning current arrester/surge protective device, in accordance with Type 1/2 / Class I/II, for 3-phase power supply networks with separate N and PE (5-conductor system: L1, L2, L3, N, PE). Specifically designed for use in e-mobility.

Infrastructure charging socket set - EV-T2M3SO12-4P-B-SET



1164417

<https://www.phoenixcontact.com/in/products/1164417>

Lightning/surge arrester type 1/2

Lightning/surge arrester type 1/2 - VAL-EV-T1/T2 264/12.5/3+1-R - 1180150

<https://www.phoenixcontact.com/in/products/1180150>



CHARX protect: pluggable lightning current arrester/surge protective device, in accordance with Type 1/2 / Class I/II, for 3-phase power supply networks with separate N and PE (5-conductor system: L1, L2, L3, N, PE), with remote indication contact. Specifically designed for use in e-mobility.

Type 2 surge arrester

Type 2 surge arrester - VAL-EV-T2 280/3+1 - 1180144

<https://www.phoenixcontact.com/in/products/1180144>



CHARX protect: pluggable surge protective device, in accordance with Type 2 / Class II, for 3-phase power supply networks with separate N and PE (5-conductor system: L1, L2, L3, N, PE). Specifically designed for use in e-mobility.

Infrastructure charging socket set - EV-T2M3SO12-4P-B-SET



1164417

<https://www.phoenixcontact.com/in/products/1164417>

Type 2 surge arrester

Type 2 surge arrester - VAL-EV-T2 280/3+1-R - 1180145

<https://www.phoenixcontact.com/in/products/1180145>



CHARX protect: pluggable surge protective device, in accordance with Type 2 / Class II, for 3-phase power supply networks with separate N and PE (5-conductor system: L1, L2, L3, N, PE), with remote indication contact. Specifically designed for use in e-mobility.

Phoenix Contact 2022 © - all rights reserved

<https://www.phoenixcontact.com>

PHOENIX CONTACT (I) Pvt. Ltd.

A-58/2, Okhla Industrial Area, Phase - II, New Delhi-110 020

+91.1275.71420

info@phoenixcontact.co.in