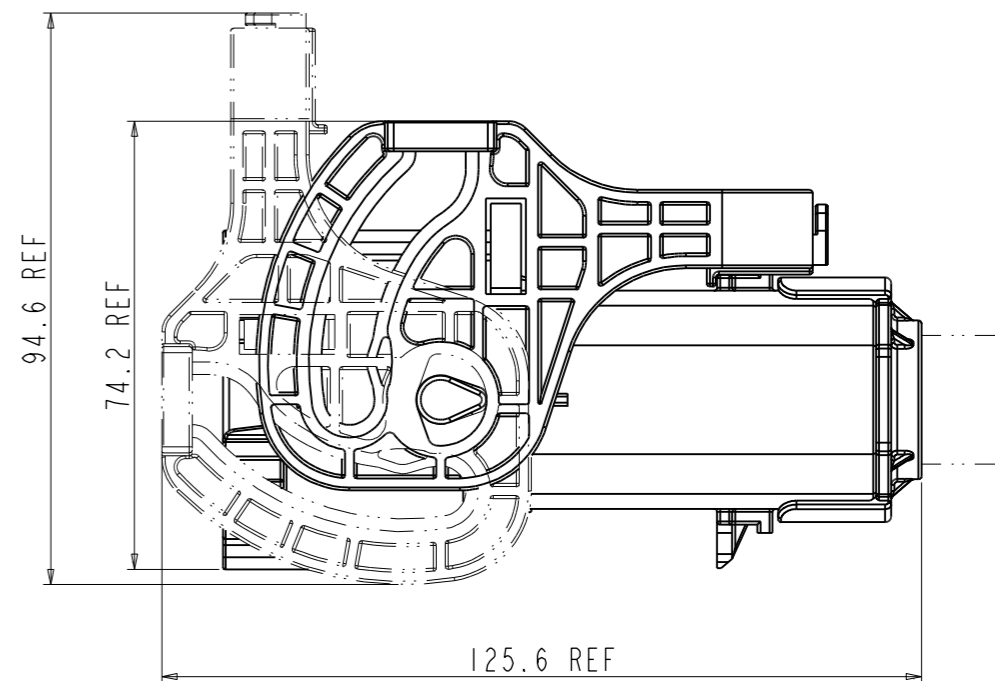
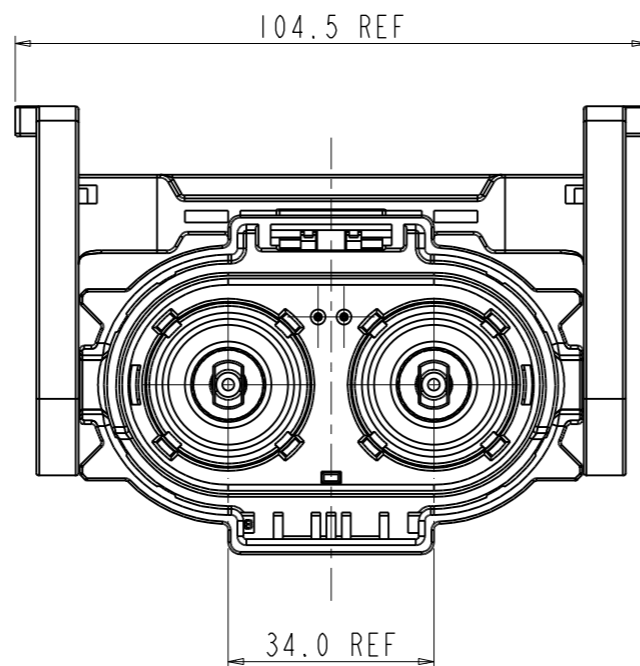


Amphenol PCDSZ
ORIGINAL
PDF Format
R&D

REV	ECN	DESCRIPTION	DATE	MODIFIED
1		PRE-RELEASE	Apr-08-21	Ray Rui



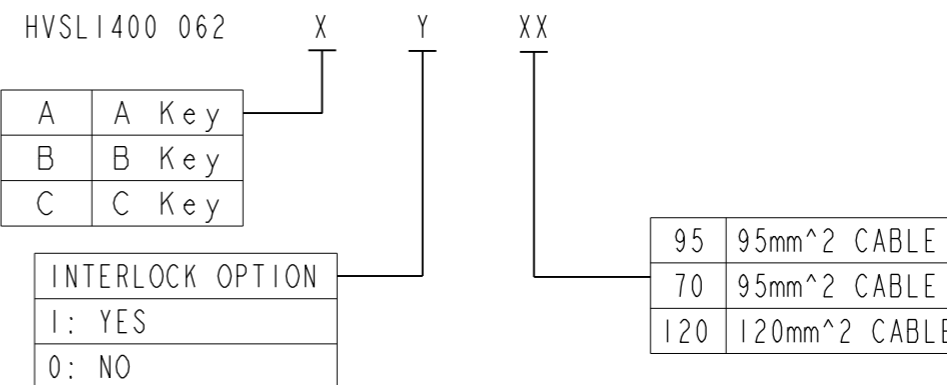
APPLICATION:
 POLLUTION DEGREE 2 / 污染等级 2
 OVERVOLTAGE CATEGORY II / 过电压类别
 INHOMOGENEOUS FIELD / 非均匀电场
 ALTITUDE NO MORE THAN 2000m / 海拔不高于2000m

+ CRITICAL CHARACTERISTICS 关键特性
 ◎ IMPORTANT CHARACTERISTICS 重要特性

C-HVSL1400062XYXX

C-HVSL1400062XYXX

TECHNICAL DATA		SPECIAL CHARACTERISTICS SYMBOL
CURRENT RATE 120mm ² WIRE	430A	+
CURRENT RATE 95mm ² WIRE	370A	+
CURRENT RATE 70mm ² WIRE	250A	+
VOLTAGE RATE	1000V AC	+
OPERRATING TEMPERATURE	-40-125°C	NA
DIELECTRIC WITHSTANDING VOLTAGE	POWER PIN:3000V AC	+
	SIGNAL PIN:660V AC	
INSULATION RESISTANCE	>200MΩ(1000V DC)	+
DURABILITY	50 CYCLES	◎
SHIELDING	YES	NA
WATERPROOF (MATED CONDITION)	IP67 IP6K9K	+
CORROSION-PROOF GRADE(SALT FOG TEST)	96 HOURS	NA
AMBIENT TEMPERATURE	-40-70°C	NA
120mm ² CABLE SIZE(JACKET DIAMETER)	∅23.0+0/-0.8(LV216)	NA
95mm ² CABLE SIZE(JACKET DIAMETER)	∅20.9+0/-0.8(LV216)	NA
70mm ² CABLE SIZE(JACKET DIAMETER)	∅18.2+0/-0.8(LV216)	NA
SIGNAL PIN CURRENT	5A	NA



DIMENSIONS	TOLERANCES	PROJECTION	TITLE		
ANSI Y14.5M UNITS: MM Pro/E FILE	.X ±0.5 .XX ±0.05 ANGLES ±2°		Amphenol PCD Shenzhen		
ORIGINAL	THIS DOCUMENT CONTAINS PROPRIETARY INFORMATION WHICH IS THE CONFIDENTIAL PROPERTY OF Amphenol PCD Shenzhen Co. Ltd RESERVES THE RIGHT TO CLARIFY THIS DRAWING	CHKD APPD <i>Rolle.chen</i>	ENGR Ray.Rui	APR-08-21	HVSL1400 PLUG STRAIGHT
			SIZE A3	DWG NO. C-HVSL1400062XYXX	
			CODE: 58982	SCALE: 4:5	SHEET 1 OF 3

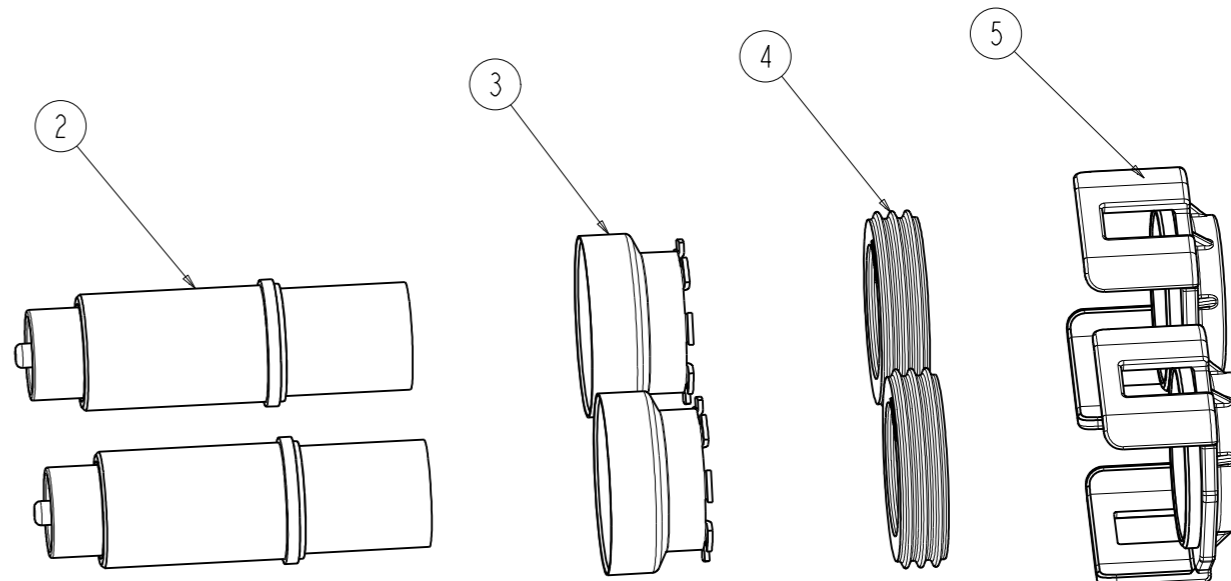
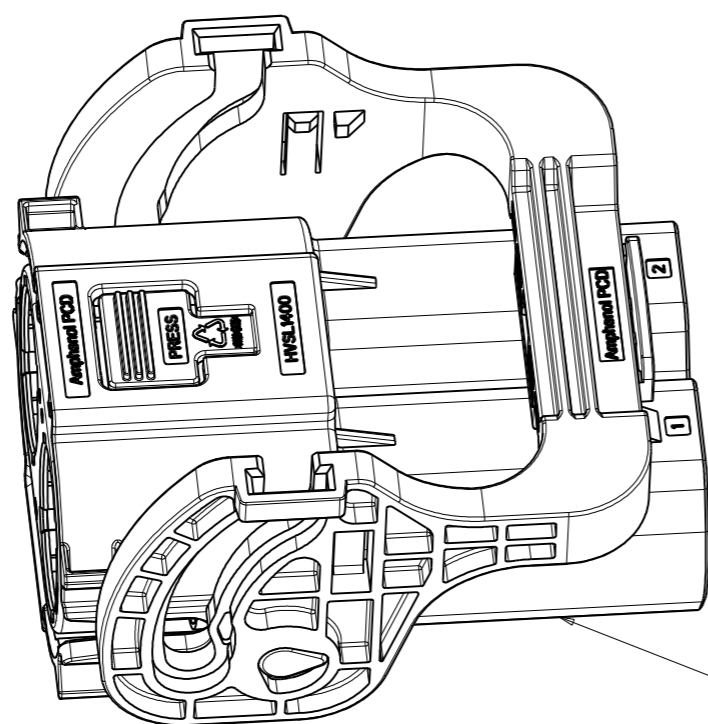
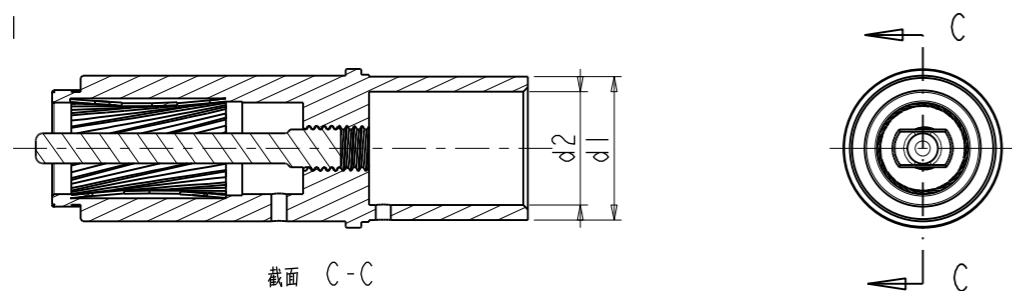
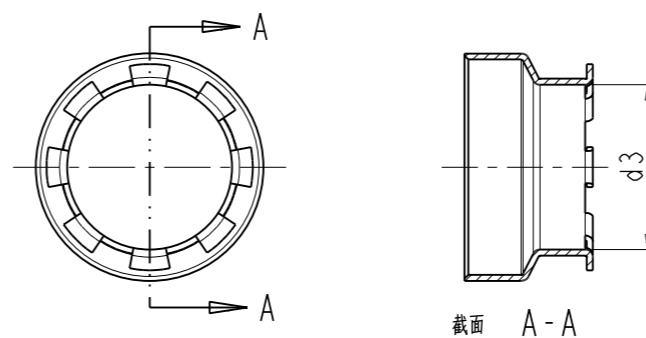


TABLE 1



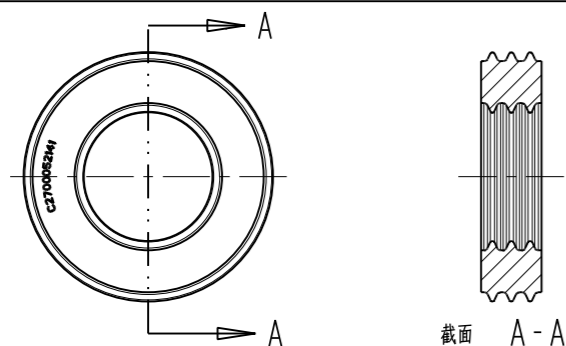
P/N	WIRE SPEC	DIMENSION d2	DIMENSION d1
HVSL14000670	70 MM ²	∅12.5	∅16.0
HVSL14000695	95 MM ²	∅15.0	∅19.0
HVSL140006120	120 MM ²	∅16.5	∅19.5

TABLE 2



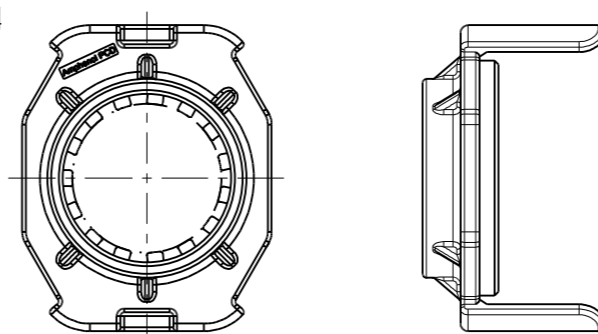
P/N	WIRE SPEC	DIMENSION d3
C31000516411	70 MM ²	∅19.2
C310005164	95 MM ²	∅21.8
P01BM00800	120 MM ²	∅24

TABLE 3



P/N	WIRE SPEC	DIMENSION d4
P01BR00290	70mm ² Cable	∅16.3
P01BR00291	95mm ² Cable	∅19
P01BR00322	120mm ² Cable	∅22.1

TABLE 4



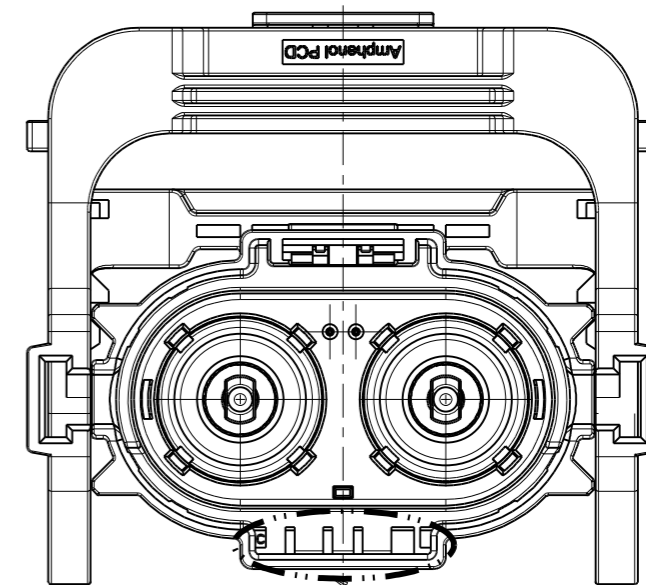
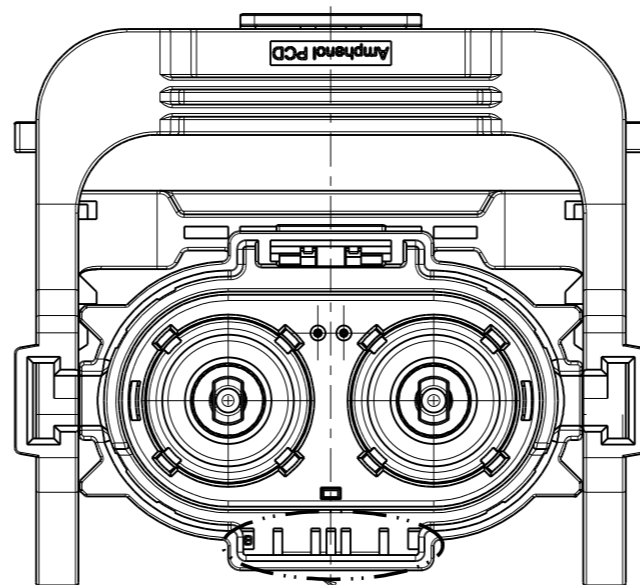
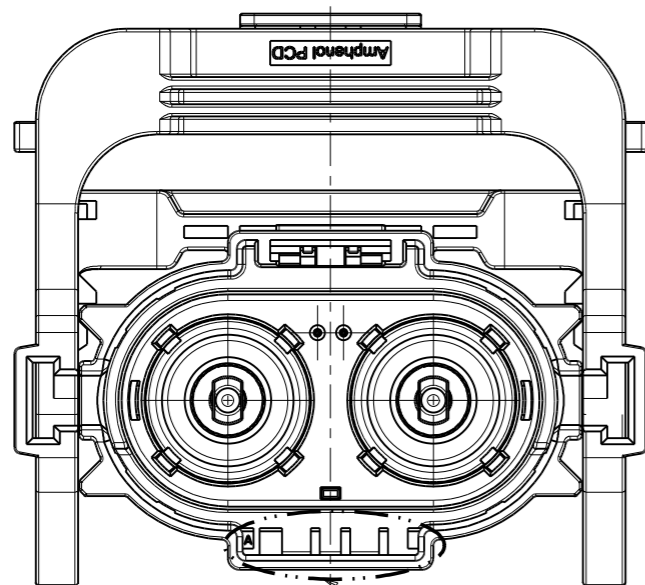
P/N	WIRE SPEC	DIMENSION d5
C2200053874	70mm ² Cable	∅18.8
C2200053875	95mm ² Cable	∅21.5
C2200053876	120mm ² Cable	∅23.6

HVSL1400062XYXX			
INDEX	P/N	DESCRIPTION	QTY
5	SEE TABLE 4	PLUG END CAP	2
4	SEE TABLE 3	CABLE SEAL	2
3	SEE TABLE 2	SHIELD FERRULE	2
2	SEE TABLE 1	CONTACT	2
1	HVSL1400062XY (X=A,B,C;Y=0,1)	MAIN STRAIGHT BODY	1

SIZE A3	DWG NO. C-HVSL1400062XYXX	REV
CODE: 58982	SCALE: 4:5	SHEET 2 OF 3

C-HVSL1400062XYXX

C-HVSL1400062XYXX



C-HVSL1400062XYXX

C-HVSL1400062XYXX

SIZE	DWG NO.	REV
A3	C-HVSL1400062XYXX	1
CODE: 58982	SCALE: 7:10	SHEET 3 OF 3