

**cannon**

# Cannon IT Series

Environmentally Sealed

Harsh Environment

Cable-to-Cable Connectors



**ITT**

# Cannon IT Series

Cost-effective, high performance interconnects for a wide variety of demanding applications, including heavy and off-road vehicles.

Cannon IT Series is an environmentally sealed cable-to-cable connector solution incorporating thermoplastic housings, silicone rubber seals and wedgelocks that delivers rugged performance and superior resistance to moisture and temperature extremes.

The series features an integral latching system that provides visual and audible feedback and stamped and machined size 16 contacts (13A max) that require no special tools for insertion and extraction. Featuring multiple keying options and available in a variety of layouts, it delivers effective and reliable connectivity when it's needed most.

With enhanced sealing retention features and snap-on end-caps across the range, Cannon IT Series connectors are compatible and intermateable with comparable existing industry solutions incorporating both standard and enhanced seal retention designs.

## Key Features

- Rectangular thermoplastic shells
- Snap-on end-caps that are removable and serviceable in the field
- Accepts contact size 16 (13A)
- Minimum 200 mating cycles for stamped contacts and 100 mating cycles for machined contacts
- Wire Range: 24-12 AWG (0.25mm<sup>2</sup> - 2.50mm<sup>2</sup>)
- Available in standard, N-Seal, and reduced diameter, E-Seal, variants.
- Operating Temp: -55°C to +125 °C
- Environmentally sealed: IP67, IP68, and IP6K9K (when mated)
- No special tools required
- Compatible and intermateable with existing industry connector solutions (standard and enhanced seal retention versions)

Enhanced Seal Features



## About ITT Cannon

For more than a century, ITT Cannon has developed innovative interconnect solutions for the world's harshest environments. With facilities in the United States, Germany, Italy, Mexico, China and Japan, we offer our customers interconnect solutions that are truly Engineered for Life. For more information, visit [www.ittcannon.com](http://www.ittcannon.com)



Snap-on End-Caps



# Cannon IT Series Technical Overview



<b>Contact Current Rating</b>	Up to 13A
<b>Operation Voltage</b>	Up to 250V ac rms
<b>Wire Range</b>	24-12 AWG (0.25mm <sup>2</sup> - 2.50mm <sup>2</sup> ) Insulator diameter range: E-Seal: Ø1.35mm to 3.10mm N-Seal: Ø2.20mm to 3.81mm
<b>Operating temperature</b>	-55°C to +125°C (-67°F to +257°F)
<b>Durability</b>	Minimum 200 mating cycles for stamped contacts Minimum 100 mating cycles for machined contacts
<b>Environmental Sealing</b>	IP67,IP68 (1m water with 24H) and IP6K9K (mated)
<b>Flammability</b>	UL 94 V-0
<b>Dielectric Voltage</b>	1500V ac for 60 seconds
<b>Thermal Shock</b>	-55°C to +125°C (-67°F to +257°F), 20 cycles
<b>Physical Shock</b>	50g's peak, 3axes, 11 millisecond duration half-sine pulse, no loss of continuity > 1µsec
<b>Vibration</b>	No unlocking or un-mating and exhibits no mechanical or physical damage after sinusoidal vibration levels of 20 G's at 10 to 2000 Hz in each of the three mutually perpendicular planes. No electrical discontinuities longer than 1 microsecond.  No unlocking or un-mating and exhibits no mechanical or physical damage after vibration per GB/T 28046.3 4.2.1.6. Meets functional status A under GB/T 28046.1 working type 3.2 and functional status C under other working type
<b>Salt Spray</b>	48 hours
<b>Air-Tight</b>	Pressure with 48kPa and keep 15s, no leakage
<b>Temperature Endurance</b>	1000 hours at 125°C (+257°F); Insulation Resistance > 100MΩ
<b>Humidity Steady State</b>	RH 90-95%, 40°C (+104°F), 504 hours; Insulation Resistance > 100MΩ
<b>Moisture Resistance</b>	10 Cycles; Insulation Resistance > 100MΩ

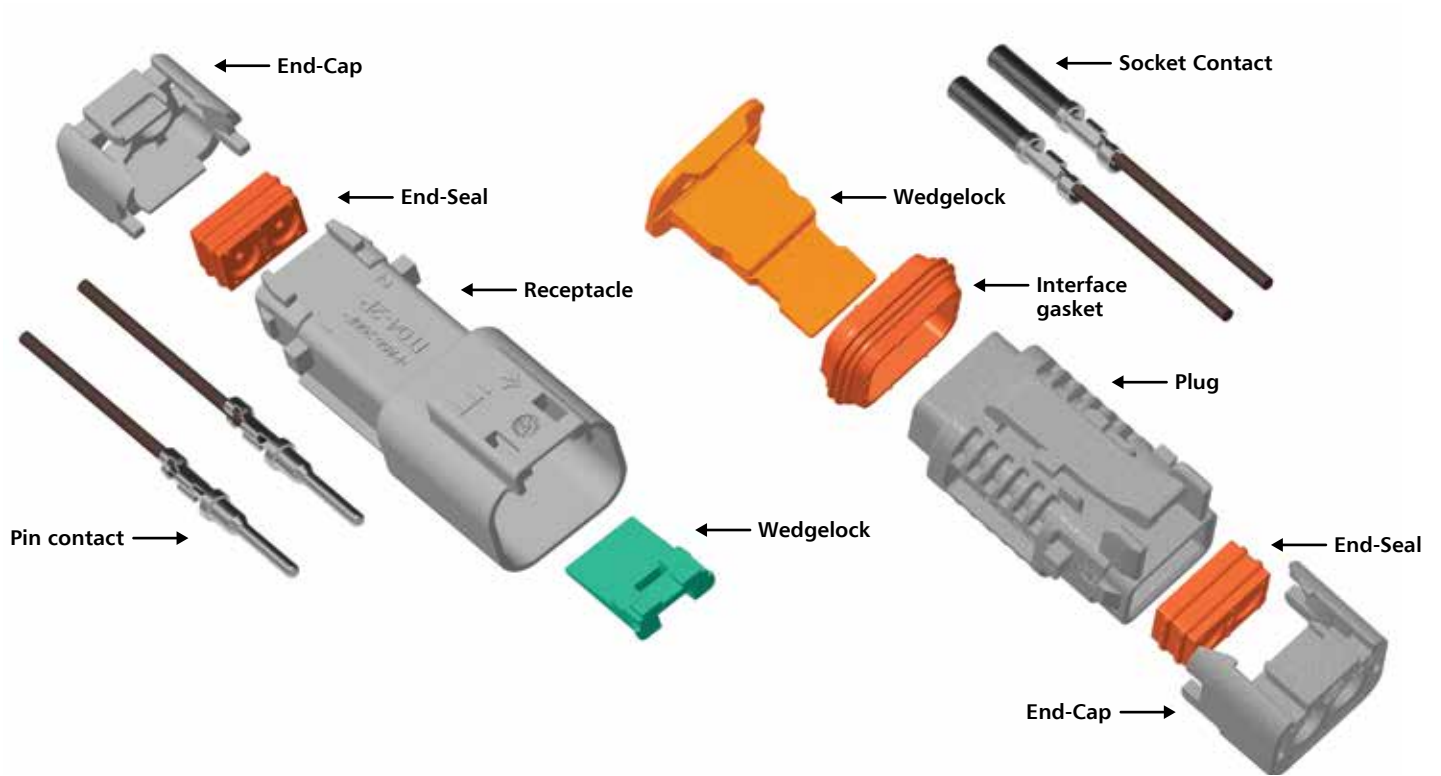


## Product Material

<b>Housing</b>	Thermoplastic, Glass filled PA
<b>Seal Gasket</b>	Silicone Rubber
<b>Interface Gasket</b>	Silicone Rubber
<b>Wedgeloock</b>	Glass filled PBT
<b>Contacts</b>	Copper alloy & stainless steel Nickel, silver or gold flash plating



# Cannon IT Series Exploded View



## Market Examples

- **Heavy vehicles**
  - Truck
  - Bus
- **Off-road vehicles**
  - Construction
  - Mining
  - Agriculture
- **Industrial**
  - Factory equipment & robotics
  - Outdoor electronics

## Application Examples

- Engine & transmission harnessing
- Lighting systems
- Controllers
- Signal interface
- Cabin harnessing/accessories
- Seat & window controls
- Wipers/under hood electronics
- LCD displays & accessories
- Sensors (electrical, pressure, temperature)



# Cannon IT Series

## How to Order



### Product Line

Cannon IT Series

### Connector Type

04: Receptacle

06: Plug

### Number of Cavities

- 2
- 3
- 4
- 6
- 8
- 12

### Seal

Blank: E-Seal version

N: N-Seal version

### Modification code

See tables below

### Keying options

See tables below

### Contacts

S: Socket contact

P: Pin contact

## Modification codes

### Kits - Connector Housing and Wedglock

IT 04 - 2 S * - *** - *	
Keying options	Layouts
N: No Key	2, 3, 4, 6 way†
A: A Key	
B: B Key	
C: C Key	
D: D Key	

† See page 6 for keying options

IT 04 - 2 S * - *** - *		
Modification code	Description	Layouts
000	Gray Housing, With End-Cap	2, 3, 4, 6 way
001	Black Housing, With End-Cap	
002	Gray Housing, Without End-Cap	
003	Black Housing, Without End-Cap	

IT 04 - 2 S * - *** - *		
Modification code	Description	Layouts
A-000	A-Key, Gray Housing, With End-Cap	8, 12 way
A-001	A-Key, Black Housing, With End-Cap	
A-002	A-Key, Gray Housing, Without End-Cap	
A-003	A-Key, Black Housing, Without End-Cap	
B-001	B-Key, Black Housing, With End-Cap	
B-003	B-Key, Black Housing, Without End-Cap	
C-004	C-Key, Green Housing, With End-Cap	
C-005	C-Key, Green Housing, Without End-Cap	
D-006	D-Key, Brown housing, With End-Cap	
D-007	D-Key, Brown Housing, Without End-Cap	

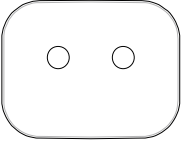
### Connector Housings

IT 04 - 2 S - *** - *		
Modification code	Description	Layouts
000	Gray Housing, With End-Cap	2, 3, 4, 6 way
002	Gray Housing, Without End-Cap	
004	Black Housing, With End-Cap	
006	Black Housing, Without End-Cap	

IT 04 - 2 S * - *** - *		
Modification code	Description	Layouts
A-020	A-Key, Gray Housing, With End-Cap	8, 12 way
A-022	A-Key, Gray Housing, Without End-Cap	
A-024	A-Key, Black Housing, With End-Cap	
A-026	A-Key, Black Housing, Without End-Cap	
B-040	B-Key, Black Housing, With End-Cap	
B-042	B-Key, Black Housing, Without End-Cap	
C-060	C-Key, Green housing, With End-Cap	
C-062	C-Key, Green Housing, Without End-Cap	
D-080	D-Key, Brown Housing, With End-Cap	
D-082	D-Key, Brown Housing, Without End-Cap	

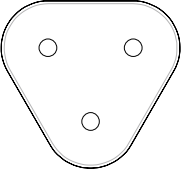
# Cannon IT Series Configurations

**ITO\*-2\***



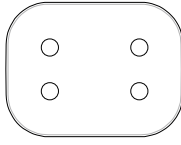
**Key options / Wedglock colors:**  
 Non - Orange (Plug), Green (Receptacle)  
 A - Gray (Plug), Gray (Receptacle)  
 B - Black (Plug), Black (Receptacle)  
 C - Green (Plug), Green (Receptacle)  
 D - Brown (Plug), Brown (Receptacle)

**ITO\*-3\***



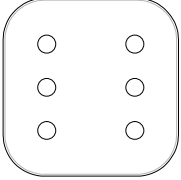
**Key options / Wedglock colors:**  
 Non - Orange (Plug), Green (Receptacle)  
 A - Brown (Plug), Brown (Receptacle)

**ITO\*-4\***



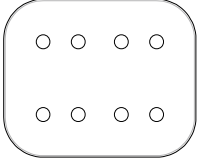
**Key options / Wedglock colors:**  
 Non - Green (Plug), Green (Receptacle)  
 A - Gray (Plug), Gray (Receptacle)  
 B - Black (Plug), Black (Receptacle)  
 C - Green (Plug), Green (Receptacle)  
 D - Brown (Plug), Brown (Receptacle)

**ITO\*-6\***



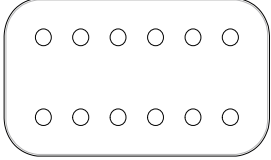
**Key options / Wedglock colors:**  
 Non - Green (Plug), Green (Receptacle)

**ITO\*-8\***



**Key options / Housing colors:**  
 A - Black or Gray (Plug & Receptacle)  
 B - Black (Plug), Black (Receptacle)  
 C - Green (Plug), Green (Receptacle)  
 D - Brown (Plug), Brown (Receptacle)

**ITO\*-12\***



**Key options / Housing colors:**  
 A - Black or Gray (Plug & Receptacle)  
 B - Black (Plug), Black (Receptacle)  
 C - Green (Plug), Green (Receptacle)  
 D - Brown (Plug), Brown (Receptacle)





# Cannon IT Series 2-Way Plug



## Kits - Part Number Consists of Connector Housing and Wedgelock

Mechanical Key	Connector Housing Color	Wedgelock Color	N-Seal		E-Seal		Description
			Descriptive Part Number	Numerical Part Number	Descriptive Part Number	Numerical Part Number	
No Key	Gray	Orange	IT06-2SN-000-N	132064-2100	IT06-2SN-000	132060-2100	IT 2P Plug, With End-Cap
	Black	Orange	IT06-2SN-001-N	132064-2101	IT06-2SN-001	132060-2101	IT 2P Plug, With End-Cap
	Gray	Orange	IT06-2SN-002-N	132064-2102	IT06-2SN-002	132060-2102	IT 2P Plug, Without End-Cap
	Black	Orange	IT06-2SN-003-N	132064-2103	IT06-2SN-003	132060-2103	IT 2P Plug, Without End-Cap
A- Key	Gray	Gray	IT06-2SA-000-N	132064-2120	IT06-2SA-000	132060-2120	IT 2P Plug, A- Key, With End-Cap
	Black	Gray	IT06-2SA-001-N	132064-2121	IT06-2SA-001	132060-2121	IT 2P Plug, A- Key, With End-Cap
	Gray	Gray	IT06-2SA-002-N	132064-2122	IT06-2SA-002	132060-2122	IT 2P Plug, A- Key, Without End-Cap
	Black	Gray	IT06-2SA-003-N	132064-2123	IT06-2SA-003	132060-2123	IT 2P Plug, A- Key, Without End-Cap
B- Key	Gray	Black	IT06-2SB-000-N	132064-2140	IT06-2SB-000	132060-2140	IT 2P Plug, B- Key, With End-Cap
	Black	Black	IT06-2SB-001-N	132064-2141	IT06-2SB-001	132060-2141	IT 2P Plug, B- Key, With End-Cap
	Gray	Black	IT06-2SB-002-N	132064-2142	IT06-2SB-002	132060-2142	IT 2P Plug, B- Key, Without End-Cap
	Black	Black	IT06-2SB-003-N	132064-2143	IT06-2SB-003	132060-2143	IT 2P Plug, B- Key, Without End-Cap
C- Key	Gray	Green	IT06-2SC-000-N	132064-2160	IT06-2SC-000	132060-2160	IT 2P Plug, C- Key, With End-Cap
	Black	Green	IT06-2SC-001-N	132064-2161	IT06-2SC-001	132060-2161	IT 2P Plug, C- Key, With End-Cap
	Gray	Green	IT06-2SC-002-N	132064-2162	IT06-2SC-002	132060-2162	IT 2P Plug, C- Key, Without End-Cap
	Black	Green	IT06-2SC-003-N	132064-2163	IT06-2SC-003	132060-2163	IT 2P Plug, C- Key, Without End-Cap
D- Key	Gray	Brown	IT06-2SD-000-N	132064-2180	IT06-2SD-000	132060-2180	IT 2P Plug, D- Key, With End-Cap
	Black	Brown	IT06-2SD-001-N	132064-2181	IT06-2SD-001	132060-2181	IT 2P Plug, D- Key, With End-Cap
	Gray	Brown	IT06-2SD-002-N	132064-2182	IT06-2SD-002	132060-2182	IT 2P Plug, D- Key, Without End-Cap
	Black	Brown	IT06-2SD-003-N	132064-2183	IT06-2SD-003	132060-2183	IT 2P Plug, D- Key, Without End-Cap

Dimensions shown in mm  
Specifications and dimensions subject to change

www.ittcannon.com



# Cannon IT Series 2-Way Plug

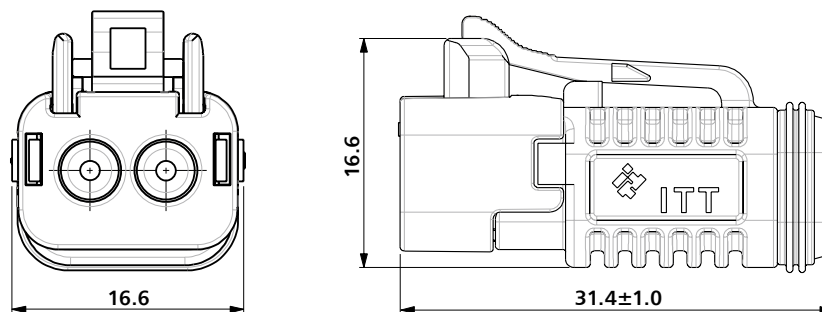
## Connector Housings

Connector Housing Color	N-Seal		E-Seal		Description
	Descriptive Part Number	Numerical Part Number	Descriptive Part Number	Numerical Part Number	
Gray	IT06-2S-000-N	132066-2101	IT06-2S-000	132066-2100	IT 2P Plug Connector Housing, With End-Cap
Black	IT06-2S-004-N	132066-2105	IT06-2S-004	132066-2104	IT 2P Plug Connector Housing, With End-Cap
Gray	IT06-2S-002-N	132066-2103	IT06-2S-002	132066-2102	IT 2P Plug Connector Housing, Without End-Cap
Black	IT06-2S-006-N	132066-2107	IT06-2S-006	132066-2106	IT 2P Plug Connector Housing, Without End-Cap

## Wedgelocks

Mechanical Key	Wedgelock Color	Descriptive Part Number	Numerical Part Number	Description
Non	Orange	IW2S	132066-2300	IT 2P Plug Secondary Lock, Non Key
A	Gray	IW2SA	132066-2320	IT 2P Plug Secondary Lock, A Key
B	Black	IW2SB	132066-2340	IT 2P Plug Secondary Lock, B Key
C	Green	IW2SC	132066-2360	IT 2P Plug Secondary Lock, C Key
D	Brown	IW2SD	132066-2380	IT 2P Plug Secondary Lock, D Key

Dimension drawings show product with end-caps.





# Cannon IT Series 2-Way Receptacle



## Kits - Part Number Consists of Connector Housing and Wedglock

Mechanical Key	Connector Housing Color	Wedglock Color	N-Seal		E-Seal		Description
			Descriptive Part Number	Numerical Part Number	Descriptive Part Number	Numerical Part Number	
No Key	Gray	Green	IT04-2PN-000-N	132064-2200	IT04-2PN-000	132060-2200	IT 2P Receptacle, With End-Cap
	Black	Green	IT04-2PN-001-N	132064-2201	IT04-2PN-001	132060-2201	IT 2P Receptacle, With End-Cap
	Gray	Green	IT04-2PN-002-N	132064-2202	IT04-2PN-002	132060-2202	IT 2P Receptacle, Without End-Cap
	Black	Green	IT04-2PN-003-N	132064-2203	IT04-2PN-003	132060-2203	IT 2P Receptacle, Without End-Cap
A- Key	Gray	Gray	IT04-2PA-000-N	132064-2220	IT04-2PA-000	132060-2220	IT 2P Receptacle, A- Key, With End-Cap
	Black	Gray	IT04-2PA-001-N	132064-2221	IT04-2PA-001	132060-2221	IT 2P Receptacle, A- Key, With End-Cap
	Gray	Gray	IT04-2PA-002-N	132064-2222	IT04-2PA-002	132060-2222	IT 2P Receptacle, A- Key, Without End-Cap
	Black	Gray	IT04-2PA-003-N	132064-2223	IT04-2PA-003	132060-2223	IT 2P Receptacle, A- Key, Without End-Cap
B- Key	Gray	Black	IT04-2PB-000-N	132064-2240	IT04-2PB-000	132060-2240	IT 2P Receptacle, B- Key, With End-Cap
	Black	Black	IT04-2PB-001-N	132064-2241	IT04-2PB-001	132060-2241	IT 2P Receptacle, B- Key, With End-Cap
	Gray	Black	IT04-2PB-002-N	132064-2242	IT04-2PB-002	132060-2242	IT 2P Receptacle, B- Key, Without End-Cap
	Black	Black	IT04-2PB-003-N	132064-2243	IT04-2PB-003	132060-2243	IT 2P Receptacle, B- Key, Without End-Cap
C- Key	Gray	Green	IT04-2PC-000-N	132064-2260	IT04-2PC-000	132060-2260	IT 2P Receptacle, C- Key, With End-Cap
	Black	Green	IT04-2PC-001-N	132064-2261	IT04-2PC-001	132060-2261	IT 2P Receptacle, C- Key, With End-Cap
	Gray	Green	IT04-2PC-002-N	132064-2262	IT04-2PC-002	132060-2262	IT 2P Receptacle, C- Key, Without End-Cap
	Black	Green	IT04-2PC-003-N	132064-2263	IT04-2PC-003	132060-2263	IT 2P Receptacle, C- Key, Without End-Cap
D- Key	Gray	Brown	IT04-2PD-000-N	132064-2280	IT04-2PD-000	132060-2280	IT 2P Receptacle, D- Key, With End-Cap
	Black	Brown	IT04-2PD-001-N	132064-2281	IT04-2PD-001	132060-2281	IT 2P Receptacle, D- Key, With End-Cap
	Gray	Brown	IT04-2PD-002-N	132064-2282	IT04-2PD-002	132060-2282	IT 2P Receptacle, D- Key, Without End-Cap
	Black	Brown	IT04-2PD-003-N	132064-2283	IT04-2PD-003	132060-2283	IT 2P Receptacle, D- Key, Without End-Cap

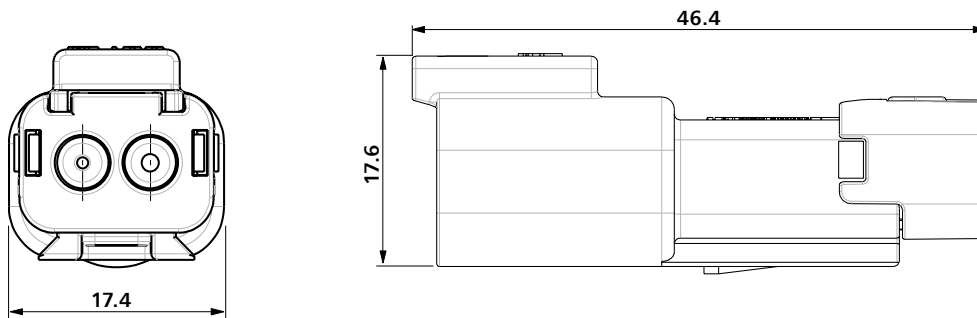
Dimensions shown in mm  
Specifications and dimensions subject to change

# Cannon IT Series 2-Way Receptacle

Connector Housings					
Connector Housing Color	N-Seal		E-Seal		Description
	Descriptive Part Number	Numerical Part Number	Descriptive Part Number	Numerical Part Number	
Gray	IT04-2P-000-N	132066-2201	IT04-2P-000	132066-2200	IT 2P Receptacle Connector Housing, With End-Cap
Black	IT04-2P-004-N	132066-2205	IT04-2P-004	132066-2204	IT 2P Receptacle Connector Housing, With End-Cap
Gray	IT04-2P-002-N	132066-2203	IT04-2P-002	132066-2202	IT 2P Receptacle Connector Housing, Without End-Cap
Black	IT04-2P-006-N	132066-2207	IT04-2P-006	132066-2206	IT 2P Receptacle Connector Housing, Without End-Cap

Wedgelocks				
Mechanical Key	Wedglock Color	Descriptive Part Number	Numerical Part Number	Description
Non	Green	IW2P	132066-2400	IT 2P Receptacle Secondary Lock, Non Key
A	Gray	IW2PA	132066-2420	IT 2P Receptacle Secondary Lock, A Key
B	Black	IW2PB	132066-2440	IT 2P Receptacle Secondary Lock, B Key
C	Green	IW2PC	132066-2460	IT 2P Receptacle Secondary Lock, C Key
D	Brown	IW2PD	132066-2480	IT 2P Receptacle Secondary Lock, D Key

Dimension drawings show product with end-caps.



# Cannon IT Series 3-Way Plug



## Kits - Part Number Consists of Connector Housing and Wedgelock

Mechanical Key	Connector Housing Color	Wedgelock Color	N-Seal		E-Seal		Description
			Descriptive Part Number	Numerical Part Number	Descriptive Part Number	Numerical Part Number	
No Key	Gray	Orange	IT06-3SN-000-N	132064-3100	IT06-3SN-000	132060-3100	IT 3P Plug, With End-Cap
	Black	Orange	IT06-3SN-001-N	132064-3101	IT06-3SN-001	132060-3101	IT 3P Plug, With End-Cap
	Gray	Orange	IT06-3SN-002-N	132064-3102	IT06-3SN-002	132060-3102	IT 3P Plug, Without End-Cap
	Black	Orange	IT06-3SN-003-N	132064-3103	IT06-3SN-003	132060-3103	IT 3P Plug, Without End-Cap
A- Key	Gray	Brown	IT06-3SA-000-N	132064-3120	IT06-3SA-000	132060-3120	IT 3P Plug, A- Key, With End-Cap
	Black	Brown	IT06-3SA-001-N	132064-3121	IT06-3SA-001	132060-3121	IT 3P Plug, A- Key, With End-Cap
	Gray	Brown	IT06-3SA-002-N	132064-3122	IT06-3SA-002	132060-3122	IT 3P Plug, A- Key, Without End-Cap
	Black	Brown	IT06-3SA-003-N	132064-3123	IT06-3SA-003	132060-3123	IT 3P Plug, A- Key, Without End-Cap

Dimensions shown in mm  
Specifications and dimensions subject to change

[www.ittcannon.com](http://www.ittcannon.com)

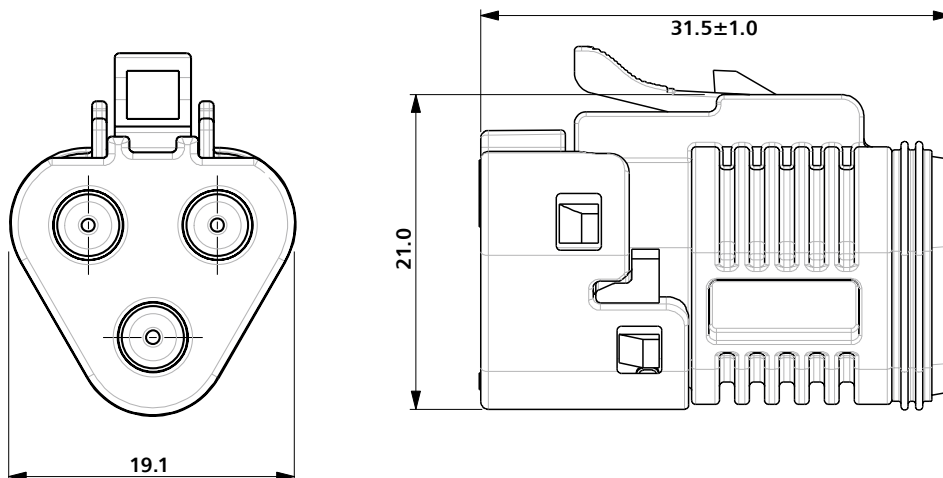


# Cannon IT Series 3-Way Plug

Connector Housings					
Connector Housing Color	N-Seal		E-Seal		Description
	Descriptive Part Number	Numerical Part Number	Descriptive Part Number	Numerical Part Number	
Gray	IT06-3S-000-N	132066-3101	IT06-3S-000	132066-3100	IT 3P Plug Connector Housing, With End-Cap
Black	IT06-3S-004-N	132066-3105	IT06-3S-004	132066-3104	IT 3P Plug Connector Housing, With End-Cap
Gray	IT06-3S-002-N	132066-3103	IT06-3S-002	132066-3102	IT 3P Plug Connector Housing, Without End-Cap
Black	IT06-3S-006-N	132066-3107	IT06-3S-006	132066-3106	IT 3P Plug Connector Housing, Without End-Cap

Wedgelocks				
Mechanical Key	Wedglock Color	Descriptive Part Number	Numerical Part Number	Description
Non	Orange	IW3S	132066-3300	IT 3P Plug Secondary Lock, Non Key
A	Brown	IW3SA	132066-3320	IT 3P Plug Secondary Lock, A Key

Dimension drawings show product with end-caps.



# Cannon IT Series 3-Way Receptacle



## Kits - Part Number Consists of Connector Housing and Wedgelock

Mechanical Key	Connector Housing Color	Wedgelock Color	N-Seal		E-Seal		Description
			Descriptive Part Number	Numerical Part Number	Descriptive Part Number	Numerical Part Number	
No Key	Gray	Green	IT04-3PN-000-N	132064-3200	IT04-3PN-000	132060-3200	IT 3P Receptacle, With End-Cap
	Black	Green	IT04-3PN-001-N	132064-3201	IT04-3PN-001	132060-3201	IT 3P Receptacle, With End-Cap
	Gray	Green	IT04-3PN-002-N	132064-3202	IT04-3PN-002	132060-3202	IT 3P Receptacle, Without End-Cap
	Black	Green	IT04-3PN-003-N	132064-3203	IT04-3PN-003	132060-3203	IT 3P Receptacle, Without End-Cap
A- Key	Gray	Brown	IT04-3PA-000-N	132064-3220	IT04-3PA-000	132060-3220	IT 3P Receptacle, A- Key, With End-Cap
	Black	Brown	IT04-3PA-001-N	132064-3221	IT04-3PA-001	132060-3221	IT 3P Receptacle, A- Key, With End-Cap
	Gray	Brown	IT04-3PA-002-N	132064-3222	IT04-3PA-002	132060-3222	IT 3P Receptacle, A- Key, Without End-Cap
	Black	Brown	IT04-3PA-003-N	132064-3223	IT04-3PA-003	132060-3223	IT 3P Receptacle, A- Key, Without End-Cap

Dimensions shown in mm  
Specifications and dimensions subject to change

[www.ittcannon.com](http://www.ittcannon.com)

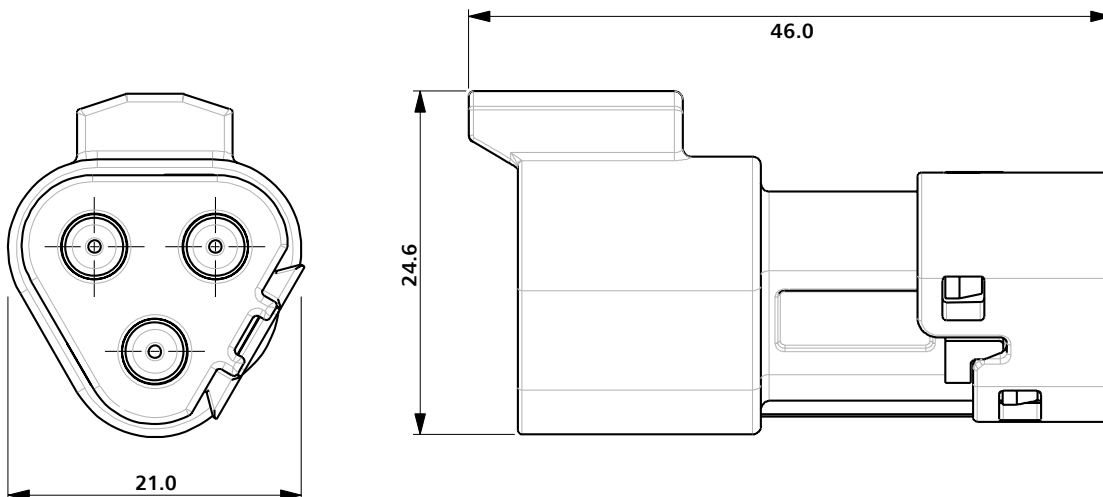


# Cannon IT Series 3-Way Receptacle

Connector Housings					
Connector Housing Color	N-Seal		E-Seal		Description
	Descriptive Part Number	Numerical Part Number	Descriptive Part Number	Numerical Part Number	
Gray	IT04-3P-000-N	132066-3201	IT04-3P-000	132066-3200	IT 3P Receptacle Connector Housing, With End-Cap
Black	IT04-3P-004-N	132066-3205	IT04-3P-004	132066-3204	IT 3P Receptacle Connector Housing, With End-Cap
Gray	IT04-3P-002-N	132066-3203	IT04-3P-002	132066-3202	IT 3P Receptacle Connector Housing, Without End-Cap
Black	IT04-3P-006-N	132066-3207	IT04-3P-006	132066-3206	IT 3P Receptacle Connector Housing, Without End-Cap

Wedgelocks				
Mechanical Key	Wedgelock Color	Descriptive Part Number	Numerical Part Number	Description
Non	Green	IW3P	132066-3400	IT 3P Receptacle Secondary Lock, Non Key
A	Brown	IW3PA	132066-3420	IT 3P Receptacle Secondary Lock, A Key

Dimension drawings show product with end-caps.





# Cannon IT Series 4-Way Plug



## Kits - Part Number Consists of Connector Housing and Wedgelock

Mechanical Key	Connector Housing Color	Wedgelock Color	N-Seal		E-Seal		Description
			Descriptive Part Number	Numerical Part Number	Descriptive Part Number	Numerical Part Number	
No Key	Gray	Green	IT06-4SN-000-N	132064-4100	IT06-4SN-000	132060-4100	IT 4P Plug, With End-Cap
	Black	Green	IT06-4SN-001-N	132064-4101	IT06-4SN-001	132060-4101	IT 4P Plug, With End-Cap
	Gray	Green	IT06-4SN-002-N	132064-4102	IT06-4SN-002	132060-4102	IT 4P Plug, Without End-Cap
	Black	Green	IT06-4SN-003-N	132064-4103	IT06-4SN-003	132060-4103	IT 4P Plug, Without End-Cap
A- Key	Gray	Gray	IT06-4SA-000-N	132064-4120	IT06-4SA-000	132060-4120	IT 4P Plug, A- Key, With End-Cap
	Black	Gray	IT06-4SA-001-N	132064-4121	IT06-4SA-001	132060-4121	IT 4P Plug, A- Key, With End-Cap
	Gray	Gray	IT06-4SA-002-N	132064-4122	IT06-4SA-002	132060-4122	IT 4P Plug, A- Key, Without End-Cap
	Black	Gray	IT06-4SA-003-N	132064-4123	IT06-4SA-003	132060-4123	IT 4P Plug, A- Key, Without End-Cap
B- Key	Gray	Black	IT06-4SB-000-N	132064-4140	IT06-4SB-000	132060-4140	IT 4P Plug, B- Key, With End-Cap
	Black	Black	IT06-4SB-001-N	132064-4141	IT06-4SB-001	132060-4141	IT 4P Plug, B- Key, With End-Cap
	Gray	Black	IT06-4SB-002-N	132064-4142	IT06-4SB-002	132060-4142	IT 4P Plug, B- Key, Without End-Cap
	Black	Black	IT06-4SB-003-N	132064-4143	IT06-4SB-003	132060-4143	IT 4P Plug, B- Key, Without End-Cap
C- Key	Gray	Green	IT06-4SC-000-N	132064-4160	IT06-4SC-000	132060-4160	IT 4P Plug, C- Key, With End-Cap
	Black	Green	IT06-4SC-001-N	132064-4161	IT06-4SC-001	132060-4161	IT 4P Plug, C- Key, With End-Cap
	Gray	Green	IT06-4SC-002-N	132064-4162	IT06-4SC-002	132060-4162	IT 4P Plug, C- Key, Without End-Cap
	Black	Green	IT06-4SC-003-N	132064-4163	IT06-4SC-003	132060-4163	IT 4P Plug, C- Key, Without End-Cap
D- Key	Gray	Brown	IT06-4SD-000-N	132064-4180	IT06-4SD-000	132060-4180	IT 4P Plug, D- Key, With End-Cap
	Black	Brown	IT06-4SD-001-N	132064-4181	IT06-4SD-001	132060-4181	IT 4P Plug, D- Key, With End-Cap
	Gray	Brown	IT06-4SD-002-N	132064-4182	IT06-4SD-002	132060-4182	IT 4P Plug, D- Key, Without End-Cap
	Black	Brown	IT06-4SD-003-N	132064-4183	IT06-4SD-003	132060-4183	IT 4P Plug, D- Key, Without End-Cap

Dimensions shown in mm  
Specifications and dimensions subject to change



# Cannon IT Series 4-Way Plug

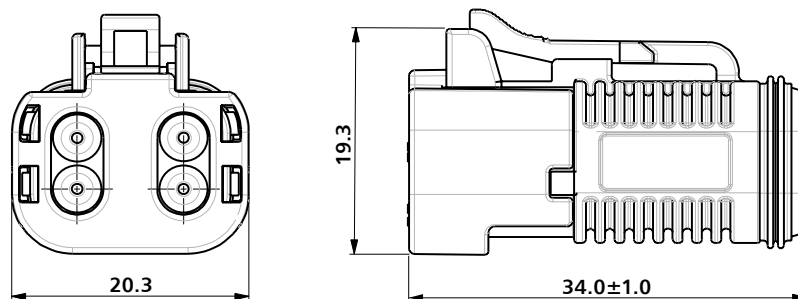
## Connector Housings

Connector Housing Color	N-Seal		E-Seal		Description
	Descriptive Part Number	Numerical Part Number	Descriptive Part Number	Numerical Part Number	
Gray	IT06-4S-000-N	132066-4101	IT06-4S-000	132066-4100	IT 4P Plug Connector Housing, With End-Cap
Black	IT06-4S-004-N	132066-4105	IT06-4S-004	132066-4104	IT 4P Plug Connector Housing, With End-Cap
Gray	IT06-4S-002-N	132066-4103	IT06-4S-002	132066-4102	IT 4P Plug Connector Housing, Without End-Cap
Black	IT06-4S-006-N	132066-4107	IT06-4S-006	132066-4106	IT 4P Plug Connector Housing, Without End-Cap

## Wedgelocks

Mechanical Key	Wedgelock Color	Descriptive Part Number	Numerical Part Number	Description
Non	Green	IW4S	132066-4300	IT 4P Plug Secondary Lock, Non Key
A	Gray	IW4SA	132066-4320	IT 4P Plug Secondary Lock, A Key
B	Black	IW4SB	132066-4340	IT 4P Plug Secondary Lock, B Key
C	Green	IW4SC	132066-4360	IT 4P Plug Secondary Lock, C Key
D	Brown	IW4SD	132066-4380	IT 4P Plug Secondary Lock, D Key

Dimension drawings show product with end-caps.



# Cannon IT Series

## 4-Way Receptacle



### Kits - Part Number Consists of Connector Housing and Wedglock

Mechanical Key	Connector Housing Color	Wedglock Color	N-Seal		E-Seal		Description
			Descriptive Part Number	Numerical Part Number	Descriptive Part Number	Numerical Part Number	
No Key	Gray	Green	IT04-4PN-000-N	132064-4200	IT04-4PN-000	132060-4200	IT 4P Receptacle, With End-Cap
	Black	Green	IT04-4PN-001-N	132064-4201	IT04-4PN-001	132060-4201	IT 4P Receptacle, With End-Cap
	Gray	Green	IT04-4PN-002-N	132064-4202	IT04-4PN-002	132060-4202	IT 4P Receptacle, Without End-Cap
	Black	Green	IT04-4PN-003-N	132064-4203	IT04-4PN-003	132060-4203	IT 4P Receptacle, Without End-Cap
A- Key	Gray	Gray	IT04-4PA-000-N	132064-4220	IT04-4PA-000	132060-4220	IT 4P Receptacle, A- Key, With End-Cap
	Black	Gray	IT04-4PA-001-N	132064-4221	IT04-4PA-001	132060-4221	IT 4P Receptacle, A- Key, With End-Cap
	Gray	Gray	IT04-4PA-002-N	132064-4222	IT04-4PA-002	132060-4222	IT 4P Receptacle, A- Key, Without End-Cap
	Black	Gray	IT04-4PA-003-N	132064-4223	IT04-4PA-003	132060-4223	IT 4P Receptacle, A- Key, Without End-Cap
B- Key	Gray	Black	IT04-4PB-000-N	132064-4240	IT04-4PB-000	132060-4240	IT 4P Receptacle, B- Key, With End-Cap
	Black	Black	IT04-4PB-001-N	132064-4241	IT04-4PB-001	132060-4241	IT 4P Receptacle, B- Key, With End-Cap
	Gray	Black	IT04-4PB-002-N	132064-4242	IT04-4PB-002	132060-4242	IT 4P Receptacle, B- Key, Without End-Cap
	Black	Black	IT04-4PB-003-N	132064-4243	IT04-4PB-003	132060-4243	IT 4P Receptacle, B- Key, Without End-Cap
C- Key	Gray	Green	IT04-4PC-000-N	132064-4260	IT04-4PC-000	132060-4260	IT 4P Receptacle, C- Key, With End-Cap
	Black	Green	IT04-4PC-001-N	132064-4261	IT04-4PC-001	132060-4261	IT 4P Receptacle, C- Key, With End-Cap
	Gray	Green	IT04-4PC-002-N	132064-4262	IT04-4PC-002	132060-4262	IT 4P Receptacle, C- Key, Without End-Cap
	Black	Green	IT04-4PC-003-N	132064-4263	IT04-4PC-003	132060-4263	IT 4P Receptacle, C- Key, Without End-Cap
D- Key	Gray	Brown	IT04-4PD-000-N	132064-4280	IT04-4PD-000	132060-4280	IT 4P Receptacle, D- Key, With End-Cap
	Black	Brown	IT04-4PD-001-N	132064-4281	IT04-4PD-001	132060-4281	IT 4P Receptacle, D- Key, With End-Cap
	Gray	Brown	IT04-4PD-002-N	132064-4282	IT04-4PD-002	132060-4282	IT 4P Receptacle, D- Key, Without End-Cap
	Black	Brown	IT04-4PD-003-N	132064-4283	IT04-4PD-003	132060-4283	IT 4P Receptacle, D- Key, Without End-Cap

Dimensions shown in mm  
Specifications and dimensions subject to change

www.ittcannon.com



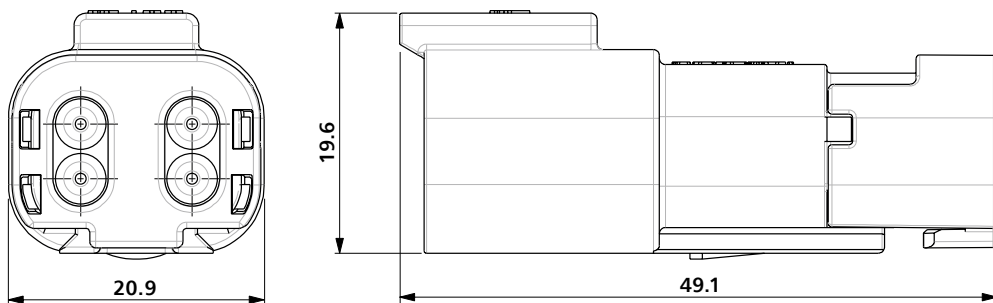
# Cannon IT Series

## 4-Way Receptacle

Connector Housings					
Connector Housing Color	N-Seal		E-Seal		Description
	Descriptive Part Number	Numerical Part Number	Descriptive Part Number	Numerical Part Number	
Gray	IT04-4P-000-N	132066-4201	IT04-4P-000	132066-4200	IT 4P Receptacle Connector Housing, With End-Cap
Black	IT04-4P-004-N	132066-4205	IT04-4P-004	132066-4204	IT 4P Receptacle Connector Housing, With End-Cap
Gray	IT04-4P-002-N	132066-4203	IT04-4P-002	132066-4202	IT 4P Receptacle Connector Housing, Without End-Cap
Black	IT04-4P-006-N	132066-4207	IT04-4P-006	132066-4206	IT 4P Receptacle Connector Housing, Without End-Cap

Wedgelocks				
Mechanical Key	Wedglock Color	Descriptive Part Number	Numerical Part Number	Description
Non	Green	IW4P	132066-4400	IT 4P Receptacle Secondary Lock, Non Key
A	Gray	IW4PA	132066-4420	IT 4P Receptacle Secondary Lock, A Key
B	Black	IW4PB	132066-4440	IT 4P Receptacle Secondary Lock, B Key
C	Green	IW4PC	132066-4460	IT 4P Receptacle Secondary Lock, C Key
D	Brown	IW4PD	132066-4480	IT 4P Receptacle Secondary Lock, D Key

Dimension drawings show product with end-caps.



# Cannon IT Series 6-Way Plug



## Kits - Part Number Consists of Connector Housing and Wedgelock

Mechanical Key	Connector Housing Color	Wedgelock Color	N-Seal		E-Seal		Description
			Descriptive Part Number	Numerical Part Number	Descriptive Part Number	Numerical Part Number	
No Key	Gray	Green	IT06-6SN-000-N	132064-6100	IT06-6SN-000	132060-6100	IT 6P Plug, With End-Cap
	Black	Green	IT06-6SN-001-N	132064-6101	IT06-6SN-001	132060-6101	IT 6P Plug, With End-Cap
	Gray	Green	IT06-6SN-002-N	132064-6102	IT06-6SN-002	132060-6102	IT 6P Plug, Without End-Cap
	Black	Green	IT06-6SN-003-N	132064-6103	IT06-6SN-003	132060-6103	IT 6P Plug, Without End-Cap

Dimensions shown in mm  
Specifications and dimensions subject to change

[www.ittcannon.com](http://www.ittcannon.com)

# Cannon IT Series 6-Way Plug



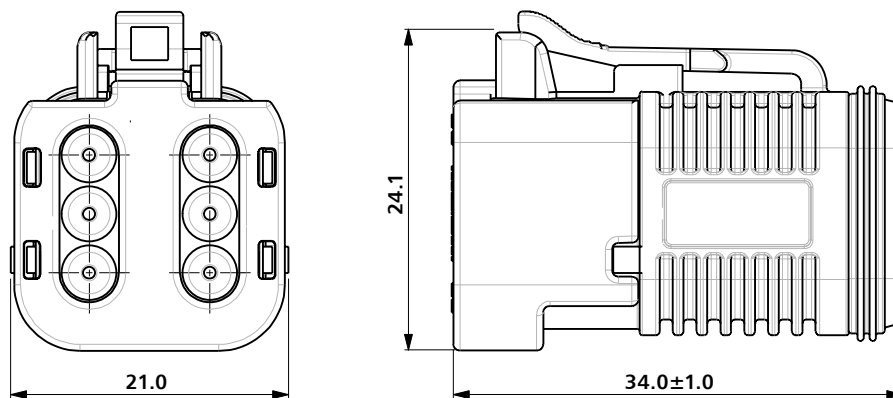
## Connector Housings

Connector Housing Color	N-Seal		E-Seal		Description
	Descriptive Part Number	Numerical Part Number	Descriptive Part Number	Numerical Part Number	
Gray	IT06-6S-000-N	132066-6101	IT06-6S-000	132066-6100	IT 6P Plug Connector Housing, With End-Cap
Black	IT06-6S-004-N	132066-6105	IT06-6S-004	132066-6104	IT 6P Plug Connector Housing, With End-Cap
Gray	IT06-6S-002-N	132066-6103	IT06-6S-002	132066-6102	IT 6P Plug Connector Housing, Without End-Cap
Black	IT06-6S-006-N	132066-6107	IT06-6S-006	132066-6106	IT 6P Plug Connector Housing, Without End-Cap

## Wedgelocks

Mechanical Key	Wedgelock Color	Descriptive Part Number	Numerical Part Number	Description
Non	Green	IW6S	132066-6300	IT 6P Plug Secondary Lock, Non Key

Dimension drawings show product with end-caps.



Dimensions shown in mm  
Specifications and dimensions subject to change

[www.ittcannon.com](http://www.ittcannon.com)



# Cannon IT Series 6-Way Receptacle



## Kits - Part Number Consists of Connector Housing and Wedgelock

Mechanical Key	Connector Housing Color	Wedgelock Color	N-Seal		E-Seal		Description
			Descriptive Part Number	Numerical Part Number	Descriptive Part Number	Numerical Part Number	
No Key	Gray	Green	IT04-6PN-000-N	132064-6200	IT04-6PN-000	132060-6200	IT 6P Plug, With End-Cap
	Black	Green	IT04-6PN-001-N	132064-6201	IT04-6PN-001	132060-6201	IT 6P Plug, With End-Cap
	Gray	Green	IT04-6PN-002-N	132064-6202	IT04-6PN-002	132060-6202	IT 6P Plug, Without End-Cap
	Black	Green	IT04-6PN-003-N	132064-6203	IT04-6PN-003	132060-6203	IT 6P Plug, Without End-Cap

Dimensions shown in mm  
Specifications and dimensions subject to change

[www.ittcannon.com](http://www.ittcannon.com)

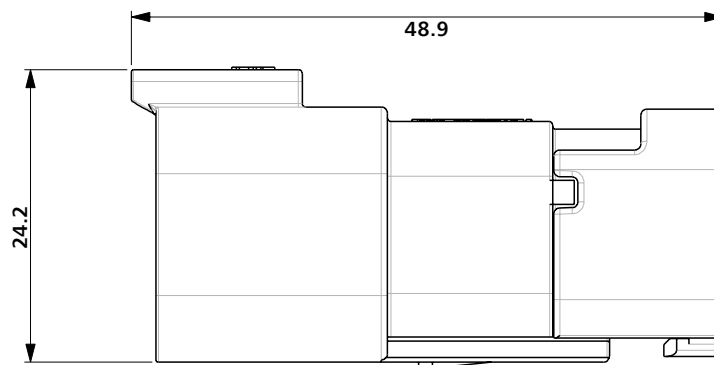
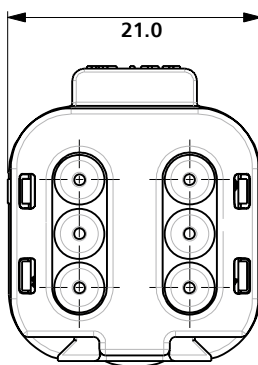
# Cannon IT Series 6-Way Receptacle



Connector Housings					
Connector Housing Color	N-Seal		E-Seal		Description
	Descriptive Part Number	Numerical Part Number	Descriptive Part Number	Numerical Part Number	
Gray	IT04-6P-000-N	132066-6201	IT04-6P-000	132066-6200	IT 6P Receptacle Connector Housing, With End-Cap
Black	IT04-6P-004-N	132066-6205	IT04-6P-004	132066-6204	IT 6P Receptacle Connector Housing, With End-Cap
Gray	IT04-6P-002-N	132066-6203	IT04-6P-002	132066-6202	IT 6P Receptacle Connector Housing, Without End-Cap
Black	IT04-6P-006-N	132066-6207	IT04-6P-006	132066-6206	IT 6P Receptacle Connector Housing, Without End-Cap

Wedgelocks				
Mechanical Key	Wedgelock Color	Descriptive Part Number	Numerical Part Number	Description
Non	Green	IW6P	132066-6400	IT 6P Receptacle Secondary Lock, Non Key

Dimension drawings show product with end-caps.



Dimensions shown in mm  
Specifications and dimensions subject to change

[www.ittcannon.com](http://www.ittcannon.com)

# Cannon IT Series 8-Way Plug



## Kits - Part Number Consists of Connector Housing and Wedgelock

Mechanical Key	Connector Housing Color	Wedgelock Color	N-Seal		E-Seal		Description
			Descriptive Part Number	Numerical Part Number	Descriptive Part Number	Numerical Part Number	
A- Key	Gray	Green	IT06-8SA-000-N	132064-8120	IT06-8SA-000	132060-8120	IT 8P Plug, With End-Cap
	Black	Green	IT06-8SA-001-N	132064-8121	IT06-8SA-001	132060-8121	IT 8P Plug, With End-Cap
	Gray	Green	IT06-8SA-002-N	132064-8122	IT06-8SA-002	132060-8122	IT 8P Plug, Without End-Cap
	Black	Green	IT06-8SA-003-N	132064-8123	IT06-8SA-003	132060-8123	IT 8P Plug, Without End-Cap
B- Key	Black	Green	IT06-8SB-001-N	132064-8141	IT06-8SB-001	132060-8141	IT 8P Plug, With End-Cap
	Black	Green	IT06-8SB-003-N	132064-8143	IT06-8SB-003	132060-8143	IT 8P Plug, Without End-Cap
C- Key	Green	Green	IT06-8SC-004-N	132064-8164	IT06-8SC-004	132060-8164	IT 8P Plug, With End-Cap
	Green	Green	IT06-8SC-005-N	132064-8165	IT06-8SC-005	132060-8165	IT 8P Plug, Without End-Cap
D- Key	Brown	Green	IT06-8SD-006-N	132064-8186	IT06-8SD-006	132060-8186	IT 8P Plug, With End-Cap
	Brown	Green	IT06-8SD-007-N	132064-8187	IT06-8SD-007	132060-8187	IT 8P Plug, Without End-Cap

Dimensions shown in mm  
Specifications and dimensions subject to change

[www.ittcannon.com](http://www.ittcannon.com)

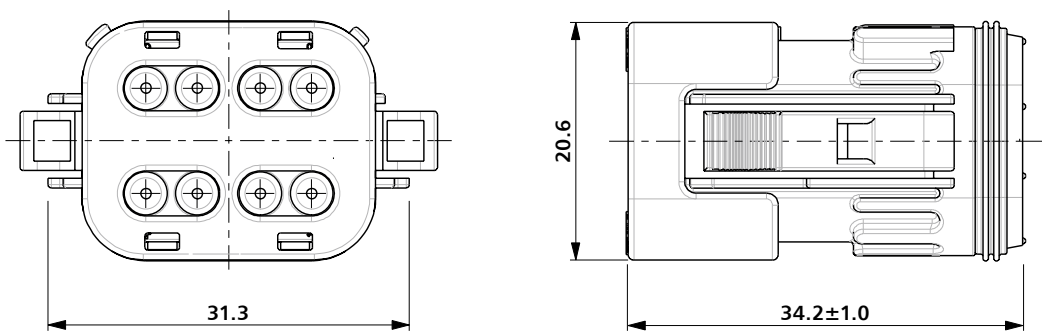


# Cannon IT Series 8-Way Plug

Connector Housings					
Connector Housing Color	N-Seal		E-Seal		Description
	Descriptive Part Number	Numerical Part Number	Descriptive Part Number	Numerical Part Number	
Gray (A Key)	IT06-8SA-020-N	132066-8121	IT06-8SA-020	132066-8120	IT 8P Plug Connector Housing, With End-Cap
Black (A Key)	IT06-8SA-024-N	132066-8125	IT06-8SA-024	132066-8124	IT 8P Plug Connector Housing, With End-Cap
Gray (A Key)	IT06-8SA-022-N	132066-8123	IT06-8SA-022	132066-8122	IT 8P Plug Connector Housing, Without End-Cap
Black (A Key)	IT06-8SA-026-N	132066-8127	IT06-8SA-026	132066-8126	IT 8P Plug Connector Housing, Without End-Cap
Black (B Key)	IT06-8SB-040-N	132066-8141	IT06-8SB-040	132066-8140	IT 8P Plug Connector Housing, With End-Cap
Black (B Key)	IT06-8SB-042-N	132066-8143	IT06-8SB-042	132066-8142	IT 8P Plug Connector Housing, Without End-Cap
Green (C Key)	IT06-8SC-060-N	132066-8161	IT06-8SC-060	132066-8160	IT 8P Plug Connector Housing, With End-Cap
Green (C Key)	IT06-8SC-062-N	132066-8163	IT06-8SC-062	132066-8162	IT 8P Plug Connector Housing, Without End-Cap
Brown (D Key)	IT06-8SD-080-N	132066-8181	IT06-8SD-080	132066-8180	IT 8P Plug Connector Housing, With End-Cap
Brown (D Key)	IT06-8SD-082-N	132066-8183	IT06-8SD-082	132066-8182	IT 8P Plug Connector Housing, Without End-Cap

Wedgelocks				
Mechanical Key	Wedgelock Color	Descriptive Part Number	Numerical Part Number	Description
Non	Green	IW8S	132066-8300	IT 8P Plug Secondary Lock, Non Key

Dimension drawings show product with end-caps.



# Cannon IT Series 8-Way Receptacle



## Kits - Part Number Consists of Connector Housing and Wedgelock

Mechanical Key	Connector Housing Color	Wedgelock Color	N-Seal		E-Seal		Description
			Descriptive Part Number	Numerical Part Number	Descriptive Part Number	Numerical Part Number	
A- Key	Gray	Green	IT04-8PA-000-N	132064-8220	IT04-8PA-000	132060-8220	IT 8P Receptacle, With End-Cap
	Black	Green	IT04-8PA-001-N	132064-8221	IT04-8PA-001	132060-8221	IT 8P Receptacle, With End-Cap
	Gray	Green	IT04-8PA-002-N	132064-8222	IT04-8PA-002	132060-8222	IT 8P Receptacle, Without End-Cap
	Black	Green	IT04-8PA-003-N	132064-8223	IT04-8PA-003	132060-8223	IT 8P Receptacle, Without End-Cap
B- Key	Black	Green	IT04-8PB-001-N	132064-8241	IT04-8PB-001	132060-8241	IT 8P Receptacle, With End-Cap
	Black	Green	IT04-8PB-003-N	132064-8243	IT04-8PB-003	132060-8243	IT 8P Receptacle, Without End-Cap
C- Key	Green	Green	IT04-8PC-004-N	132064-8264	IT04-8PC-004	132060-8264	IT 8P Receptacle, With End-Cap
	Green	Green	IT04-8PC-005-N	132064-8265	IT04-8PC-005	132060-8265	IT 8P Receptacle, Without End-Cap
D- Key	Brown	Green	IT04-8PD-006-N	132064-8286	IT04-8PD-006	132060-8286	IT 8P Receptacle, With End-Cap
	Brown	Green	IT04-8PD-007-N	132064-8287	IT04-8PD-007	132060-8287	IT 8P Receptacle, Without End-Cap

Dimensions shown in mm  
Specifications and dimensions subject to change

[www.ittcannon.com](http://www.ittcannon.com)



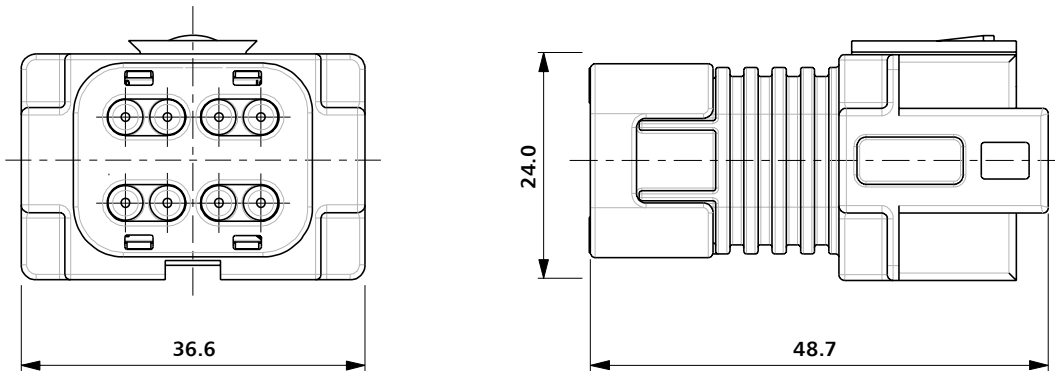
# Cannon IT Series

## 8-Way Receptacle

Connector Housings					
Connector Housing Color	N-Seal		E-Seal		Description
	Descriptive Part Number	Numerical Part Number	Descriptive Part Number	Numerical Part Number	
Gray (A Key)	IT04-8PA-020-N	132066-8221	IT04-8PA-020	132066-8220	IT 8P Receptacle Connector Housing, With End-Cap
Black (A Key)	IT04-8PA-024-N	132066-8225	IT04-8PA-024	132066-8224	IT 8P Receptacle Connector Housing, With End-Cap
Gray (A Key)	IT04-8PA-022-N	132066-8223	IT04-8PA-022	132066-8222	IT 8P Receptacle Connector Housing, Without End-Cap
Black (A Key)	IT04-8PA-026-N	132066-8227	IT04-8PA-026	132066-8226	IT 8P Receptacle Connector Housing, Without End-Cap
Black (B Key)	IT04-8PB-040-N	132066-8241	IT04-8PB-040	132066-8240	IT 8P Receptacle Connector Housing, With End-Cap
Black (B Key)	IT04-8PB-042-N	132066-8243	IT04-8PB-042	132066-8242	IT 8P Receptacle Connector Housing, Without End-Cap
Green (C Key)	IT04-8PC-060-N	132066-8261	IT04-8PC-060	132066-8260	IT 8P Receptacle Connector Housing, With End-Cap
Green (C Key)	IT04-8PC-062-N	132066-8263	IT04-8PC-062	132066-8262	IT 8P Receptacle Connector Housing, Without End-Cap
Brown (D Key)	IT04-8PD-080-N	132066-8281	IT04-8PD-080	132066-8280	IT 8P Receptacle Connector Housing, With End-Cap
Brown (D Key)	IT04-8PD-082-N	132066-8283	IT04-8PD-082	132066-8282	IT 8P Receptacle Connector Housing, Without End-Cap

Wedgelocks				
Mechanical Key	Wedglock Color	Descriptive Part Number	Numerical Part Number	Description
Non	Green	IW8P	132066-8400	IT 8P Receptacle Secondary Lock, Non Key

Dimension drawings show product with end-caps.





# Cannon IT Series 12-Way Plug



## Kits - Part Number Consists of Connector Housing and Wedgelock

Mechanical Key	Connector Housing Color	Wedgelock Color	N-Seal		E-Seal		Description
			Descriptive Part Number	Numerical Part Number	Descriptive Part Number	Numerical Part Number	
A- Key	Gray	Green	IT06-12SA-000-N	132064-1120	IT06-12SA-000	132060-1120	IT 12P Plug, With End-Cap
	Black	Green	IT06-12SA-001-N	132064-1121	IT06-12SA-001	132060-1121	IT 12P Plug, With End-Cap
	Gray	Green	IT06-12SA-002-N	132064-1122	IT06-12SA-002	132060-1122	IT 12P Plug, Without End-Cap
	Black	Green	IT06-12SA-003-N	132064-1123	IT06-12SA-003	132060-1123	IT 12P Plug, Without End-Cap
B- Key	Black	Green	IT06-12SB-001-N	132064-1141	IT06-12SB-001	132060-1141	IT 12P Plug, With End-Cap
	Black	Green	IT06-12SB-003-N	132064-1143	IT06-12SB-003	132060-1143	IT 12P Plug, Without End-Cap
C- Key	Green	Green	IT06-12SC-004-N	132064-1164	IT06-12SC-004	132060-1164	IT 12P Plug, With End-Cap
	Green	Green	IT06-12SC-005-N	132064-1165	IT06-12SC-005	132060-1165	IT 12P Plug, Without End-Cap
D- Key	Brown	Green	IT06-12SD-006-N	132064-1186	IT06-12SD-006	132060-1186	IT 12P Plug, With End-Cap
	Brown	Green	IT06-12SD-007-N	132064-1187	IT06-12SD-007	132060-1187	IT 12P Plug, Without End-Cap

Dimensions shown in mm  
Specifications and dimensions subject to change

[www.ittcannon.com](http://www.ittcannon.com)

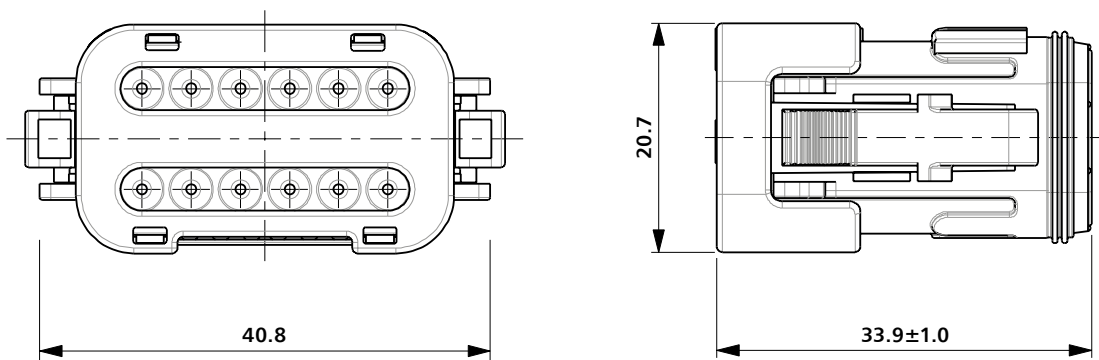


# Cannon IT Series 12-Way Plug

Connector Housings					
Connector Housing Color	N-Seal		E-Seal		Description
	Descriptive Part Number	Numerical Part Number	Descriptive Part Number	Numerical Part Number	
Gray (A Key)	IT06-12SA-020-N	132066-1121	IT06-12SA-020	132066-1120	IT 12P Plug Connector Housing, With End-Cap
Black (A Key)	IT06-12SA-024-N	132066-1125	IT06-12SA-024	132066-1124	IT 12P Plug Connector Housing, With End-Cap
Gray (A Key)	IT06-12SA-022-N	132066-1123	IT06-12SA-022	132066-1122	IT 12P Plug Connector Housing, Without End-Cap
Black (A Key)	IT06-12SA-026-N	132066-1127	IT06-12SA-026	132066-1126	IT 12P Plug Connector Housing, Without End-Cap
Black (B Key)	IT06-12SB-040-N	132066-1141	IT06-12SB-040	132066-1140	IT 12P Plug Connector Housing, With End-Cap
Black (B Key)	IT06-12SB-042-N	132066-1143	IT06-12SB-042	132066-1142	IT 12P Plug Connector Housing, Without End-Cap
Green (C Key)	IT06-12SC-060-N	132066-1161	IT06-12SC-060	132066-1160	IT 12P Plug Connector Housing, With End-Cap
Green (C Key)	IT06-12SC-062-N	132066-1163	IT06-12SC-062	132066-1162	IT 12P Plug Connector Housing, Without End-Cap
Brown (D Key)	IT06-12SD-080-N	132066-1181	IT06-12SD-080	132066-1180	IT 12P Plug Connector Housing, With End-Cap
Brown (D Key)	IT06-12SD-082-N	132066-1183	IT06-12SD-082	132066-1182	IT 12P Plug Connector Housing, Without End-Cap

Wedgelocks				
Mechanical Key	Wedglock Color	Descriptive Part Number	Numerical Part Number	Description
Non	Green	IW12S	132066-1300	IT 8P Plug Secondary Lock, Non Key

Dimension drawings show product with end-caps.



# Cannon IT Series 12-Way Receptacle



## Kits - Part Number Consists of Connector Housing and Wedgelock

Mechanical Key	Connector Housing Color	Wedgelock Color	N-Seal		E-Seal		Description
			Descriptive Part Number	Numerical Part Number	Descriptive Part Number	Numerical Part Number	
A- Key	Gray	Green	IT04-12PA-000-N	132064-1220	IT04-12PA-000	132060-1220	IT 12P Receptacle, With End-Cap
	Black	Green	IT04-12PA-001-N	132064-1221	IT04-12PA-001	132060-1221	IT 12P Receptacle, With End-Cap
	Gray	Green	IT04-12PA-002-N	132064-1222	IT04-12PA-002	132060-1222	IT 12P Receptacle, Without End-Cap
	Black	Green	IT04-12PA-003-N	132064-1223	IT04-12PA-003	132060-1223	IT 12P Receptacle, Without End-Cap
B- Key	Black	Green	IT04-12PB-001-N	132064-1241	IT04-12PB-001	132060-1241	IT 12P Receptacle, With End-Cap
	Black	Green	IT04-12PB-003-N	132064-1243	IT04-12PB-003	132060-1243	IT 12P Receptacle, Without End-Cap
C- Key	Green	Green	IT04-12PC-004-N	132064-1264	IT04-12PC-004	132060-1264	IT 12P Receptacle, With End-Cap
	Green	Green	IT04-12PC-005-N	132064-1265	IT04-12PC-005	132060-1265	IT 12P Receptacle, Without End-Cap
D- Key	Brown	Green	IT04-12PD-006-N	132064-1286	IT04-12PD-006	132060-1286	IT 12P Receptacle, With End-Cap
	Brown	Green	IT04-12PD-007-N	132064-1287	IT04-12PD-007	132060-1287	IT 12P Receptacle, Without End-Cap

Dimensions shown in mm  
Specifications and dimensions subject to change

www.ittcannon.com



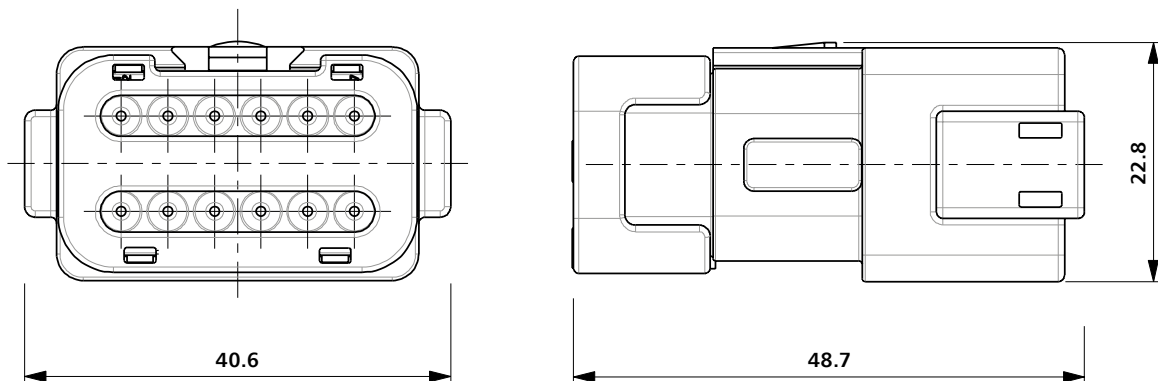
# Cannon IT Series

## 12-Way Receptacle

Connector Housings					
Connector Housing Color	N-Seal		E-Seal		Description
	Descriptive Part Number	Numerical Part Number	Descriptive Part Number	Numerical Part Number	
Gray (A Key)	IT04-12PA-020-N	132066-1221	IT04-12PA-020	132066-1220	IT 12P Receptacle Connector Housing, With End-Cap
Black (A Key)	IT04-12PA-024-N	132066-1225	IT04-12PA-024	132066-1224	IT 12P Receptacle Connector Housing, With End-Cap
Gray (A Key)	IT04-12PA-022-N	132066-1223	IT04-12PA-022	132066-1222	IT 12P Receptacle Connector Housing, Without End-Cap
Black (A Key)	IT04-12PA-026-N	132066-1227	IT04-12PA-026	132066-1226	IT 12P Receptacle Connector Housing, Without End-Cap
Black (B Key)	IT04-12PB-040-N	132066-1241	IT04-12PB-040	132066-1240	IT 12P Receptacle Connector Housing, With End-Cap
Black (B Key)	IT04-12PB-042-N	132066-1243	IT04-12PB-042	132066-1242	IT 12P Receptacle Connector Housing, Without End-Cap
Green (C Key)	IT04-12PC-060-N	132066-1261	IT04-12PC-060	132066-1260	IT 12P Receptacle Connector Housing, With End-Cap
Green (C Key)	IT04-12PC-062-N	132066-1263	IT04-12PC-062	132066-1262	IT 12P Receptacle Connector Housing, Without End-Cap
Brown (D Key)	IT04-12PD-080-N	132066-1281	IT04-12PD-080	132066-1280	IT 12P Receptacle Connector Housing, With End-Cap
Brown (D Key)	IT04-12PD-082-N	132066-1283	IT04-12PD-082	132066-1282	IT 12P Receptacle Connector Housing, Without End-Cap

Wedgelocks				
Mechanical Key	Wedglock Color	Descriptive Part Number	Numerical Part Number	Description
Non	Green	IW12P	132066-1400	IT 12P Receptacle Secondary Lock, Non Key

Dimension drawings show product with end-caps.



Dimensions shown in mm  
Specifications and dimensions subject to change

[www.ittcannon.com](http://www.ittcannon.com)

# Cannon IT Series Stamped Contacts

## Contact Resistance

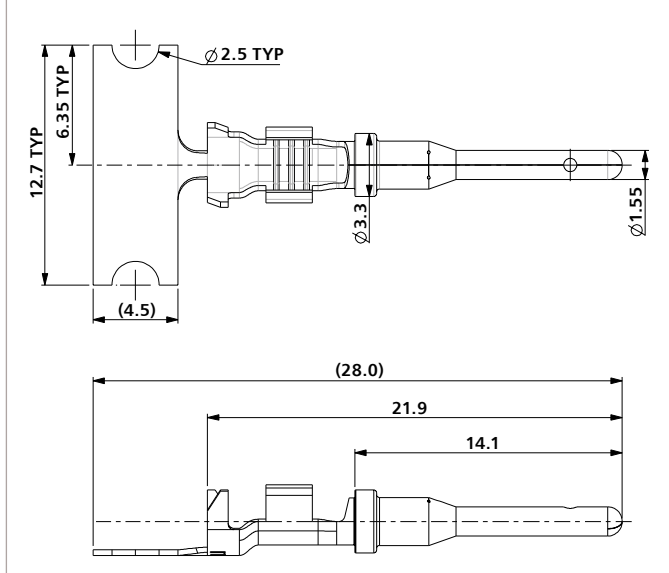
Wire Size AWG (mm <sup>2</sup> )	Test Current (A)	Voltage Drop (mV Max.)
12 (2.5)	13	100
14 (2.0)	13	100
16 (1.0)	13	100
18 (0.8)	10	100
20 (0.5)	7.5	100

## Key Features

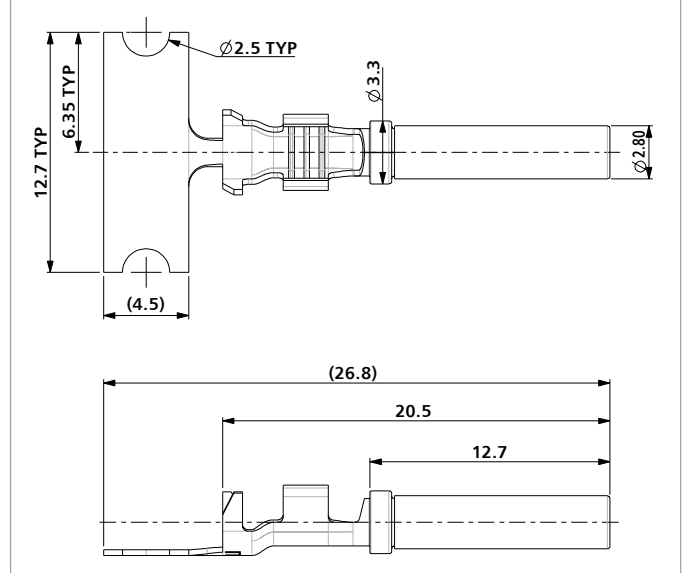
- Size 16 stamped and formed contacts
- Max current rating of 13A
- Nickel, silver and gold flash plating options
- Cable range from 20AWG to 12AWG
- Supplied on 4000 pcs reels

Wire Range		Types	Nickel Plating	Silver Plating	Gold Flash	Wire Insulation O.D. range (mm)
mm <sup>2</sup>	AWG		Part Number	Part Number	Part Number	
0.5 - 1.00	20-16 AWG	Pin	132060-0110	132060-0111	132060-0112	Ø1.35-2.54mm
0.5 - 1.00	20-16 AWG	Socket	132060-0210	132060-0211	132060-0212	Ø1.35-2.54mm
0.75 - 2.00	18-14 AWG	Pin	132060-0100	132060-0101	132060-0102	Ø1.91-3.56mm
0.75 - 2.00	18-14 AWG	Socket	132060-0200	132060-0201	132060-0202	Ø1.91-3.56mm
0.75 - 2.00	18-14 AWG	Pin	132060-0120	132060-0121	132060-0122	Ø2.41-3.81mm
0.75 - 2.00	18-14 AWG	Socket	132060-0220	132060-0221	132060-0222	Ø2.41-3.81mm
1.00 - 2.50	16-12 AWG	Pin	132060-0160	132060-0161	132060-0162	Ø1.91-3.56mm
1.00 - 2.50	16-12 AWG	Socket	132060-0260	132060-0261	132060-0262	Ø1.91-3.56mm

### Pin Contact



### Socket Contact



Dimensions shown in mm  
Specifications and dimensions subject to change

[www.ittcannon.com](http://www.ittcannon.com)



# Cannon IT Series Machined Contacts

## Contact Resistance

Wire Size AWG (mm <sup>2</sup> )	Test Current (A)	Voltage Drop (mV Max.)
14 (2.0)	13	60
16 (1.0~1.5)	13	60
18 (0.75)	10	60
20 (0.5)	7.5	60
22 (0.35)*	5	60
24 (0.22)*	3	60

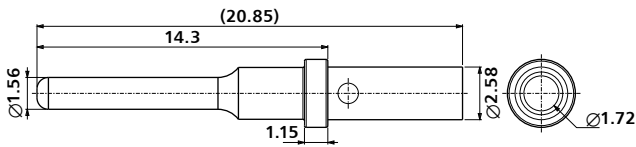
\*Gold Flash Only

## Key Features

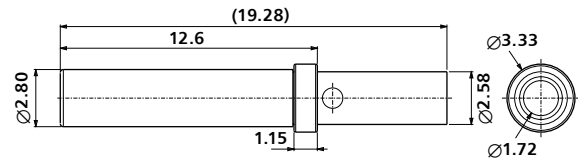
- Size 16 machined contacts
- Max current rating of 13A
- Nickel, silver and gold flash plating options
- Cable range from 24AWG to 14AWG
- Supplied in 500 pcs bag

Wire Range		Types	Nickel Plating	Silver Plating	Gold Flash	Wire Insulation O.D. range (mm)
mm <sup>2</sup>	AWG		Part Number	Part Number	Part Number	
0.5 - 1.00	20-16 AWG	Pin	132060-0130	132060-0131	132060-0132	Ø1.35-2.54mm
0.5 - 1.00	20-16 AWG	Socket	132060-0230	132060-0231	132060-0232	Ø1.35-2.54mm
1.00 - 2.00	16-14 AWG	Pin	132060-0140	132060-0141	132060-0142	Ø2.41-3.81mm
1.00 - 2.00	16-14 AWG	Socket	132060-0240	132060-0241	132060-0242	Ø2.41-3.81mm
0.22 - 0.35	22-24 AWG	Pin	N/A	N/A	132060-0172	Ø1.35-2.54mm
0.22 - 0.35	22-24 AWG	Socket	N/A	N/A	132060-0272	Ø1.35-2.54mm

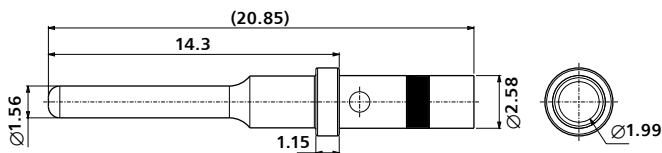
Pin Contact (AWG 20 to 16)



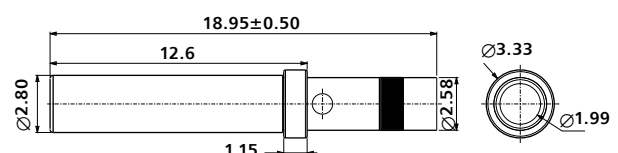
Socket Contact (AWG 20 to 16)



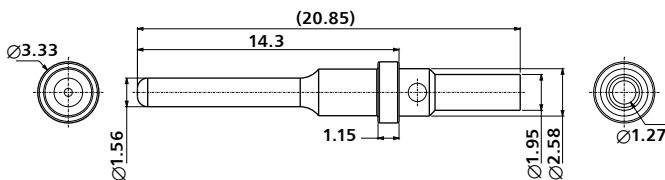
Pin Contact (AWG 16 to 14)



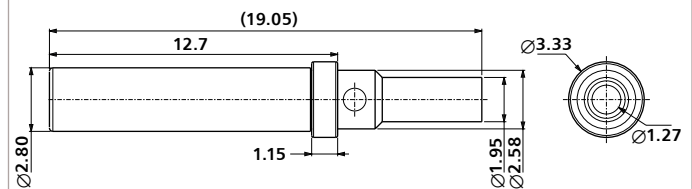
Socket Contact (AWG 16 to 14)



Pin Contact (AWG 24 to 22)



Socket Contact (AWG 24 to 22)



Dimensions shown in mm  
Specifications and dimensions subject to change

www.ittcannon.com



# Cannon IT Series Backshells



Part Number	Description
132060-9200	IT 2P Plug Straight Backshell
132060-9300	IT 3P Plug Straight Backshell
132060-9400	IT 4P Plug Straight Backshell
132060-9600	IT 6P Plug Straight Backshell
132060-9800	IT 8P Plug & Receptacle Straight Backshell
132060-9100	IT 12P Plug Straight Backshell
132060-9202	IT 2P Receptacle Straight Backshell
132060-9302	IT 3P Receptacle Straight Backshell
132060-9402	IT 4P Receptacle Straight Backshell
132060-9602	IT 6P Receptacle Straight Backshell
132060-9102	IT 12P Receptacle Straight Backshell



IT Series backshells are NOT compatible with existing industry connector or backshell solutions.

# Mounting Clips

Cannon IT Series connectors feature an integral “V”-groove on receptacles to accept cable mounting accessories. Applicable mounting clips are available in various configurations in stainless steel.



Straight mounting clip. Stainless steel.



Side mounting clip. Stainless steel.

Part Number	Cavity Arrangement	Mounting Direction	Material	Mounting Hole Diameter (mm)
132015-0098	2, 3, 4, 6 and 12-Way	Straight	Stainless steel	11mm
132015-0099	2, 3, 4, 6 and 12-Way	Side	Stainless steel	11mm
132015-0204	8-Way only	Straight	Stainless steel	11mm

# Crimp Tools



Wire Size AWG (mm <sup>2</sup> )	Part Number	Description
12 (2.5)	132060-0306	Automatic crimp tool for stamped contacts
14 (2.0)	132060-0305	Automatic crimp tool for stamped contacts
16 (1.0)	132060-0304	Automatic crimp tool for stamped contacts
18 (0.8)	132060-0303	Automatic crimp tool for stamped contacts
20 (0.5)	132060-0302	Automatic crimp tool for stamped contacts



Wire Size AWG (mm <sup>2</sup> )	Part Number	Description
20 - 14 (0.5-2.0)	132060-0301	Hand crimp tool for stamped contacts

cannon

Amazing things  
happen when great  
things connect



Connect with your ITT Cannon representative today  
or visit us at [www.ittcannon.com](http://www.ittcannon.com)

## Connect with the experts


ITT's Cannon brand is a world leader in the design and manufacture of highly engineered connector solutions for multiple end markets.



### Why ITT

ITT is a focused multi-industrial company that designs and manufactures highly engineered critical components and customized technology solutions. ITT's Cannon brand is a leading global manufacturer of connector products serving international customers in aerospace, defense, medical, industrial and transportation end markets. ITT's Connector business, which also includes the Veam and BIW Connector Systems brand, manufactures and supplies a variety of connectors and interconnects that make it possible to transfer data, signal and power in an increasingly connected world.

Connect with your ITT Cannon representative today or visit us at [www.ittcannon.com](http://www.ittcannon.com)

Follow us 

**CHINA - Shenzhen City**  
+86.755.2726.7888

**GERMANY - Weinstadt**  
+49.7151.699.0

**ITALY - Lainate**  
+39.02938721

**KOREA**  
+82.2.702.7111

**SHANGHAI**  
+ 86.21.2231.2222.2

**UK - Basingstoke**  
+44.1256.347400

**FRANCE**  
+33.1.60.04.93.93

**HONG KONG**  
+852.2732.2720

**JAPAN - Kanagawa**  
+81.462.57.2010

**MEXICO - Nogales**  
+52.631.311005

**SINGAPORE**  
+65 66974205

**USA - Irvine, CA**  
+1.800.854.3028