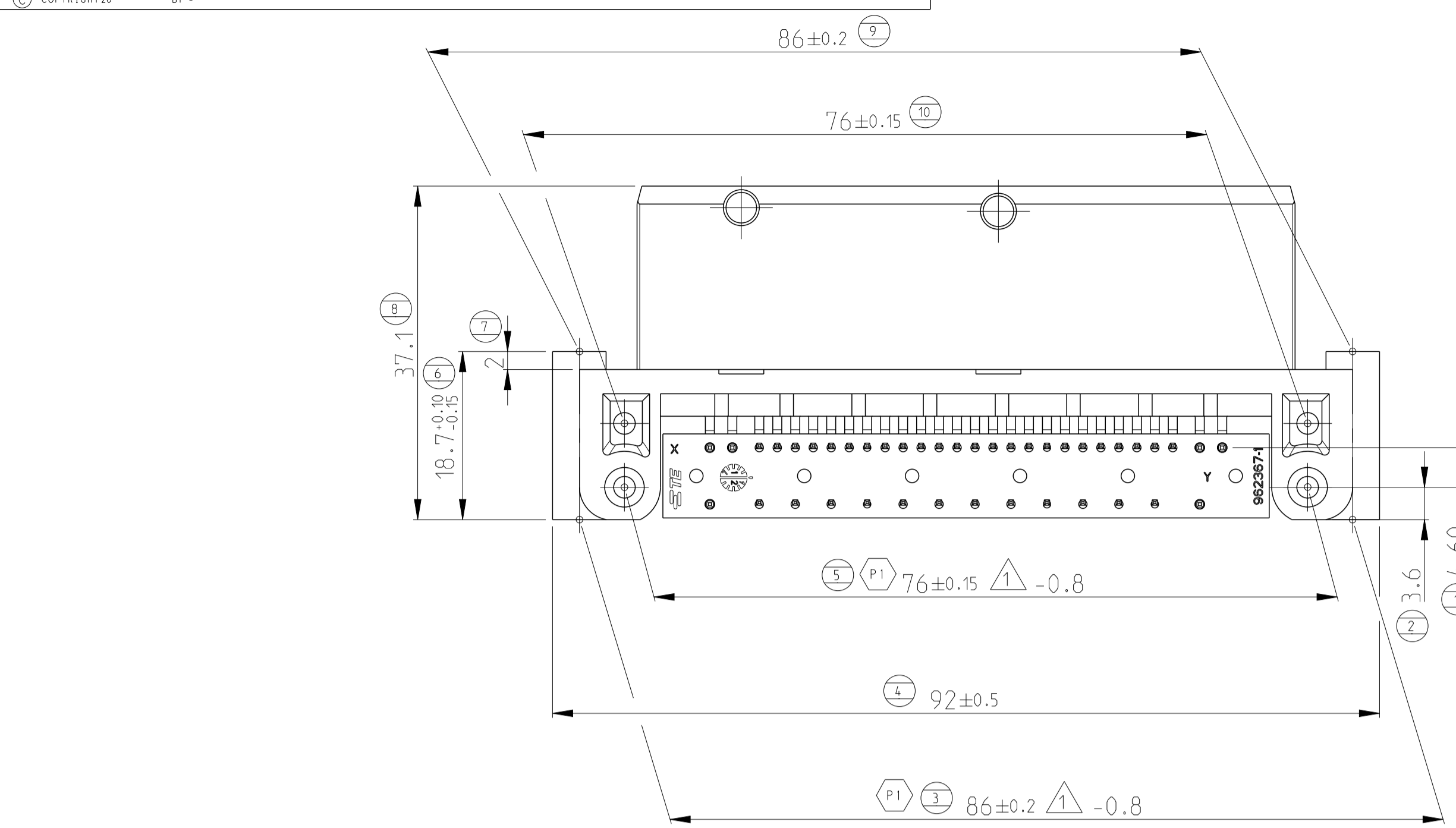
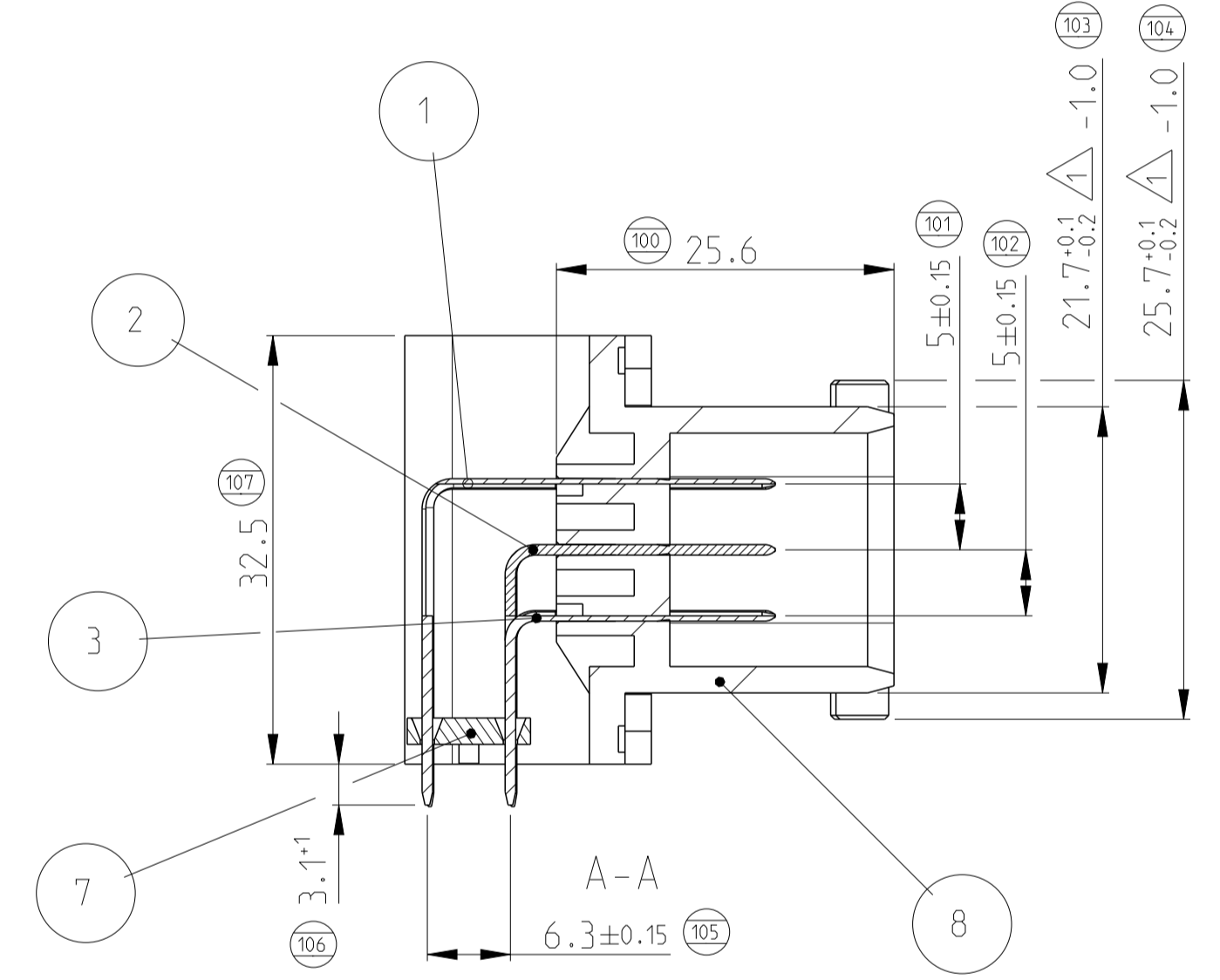
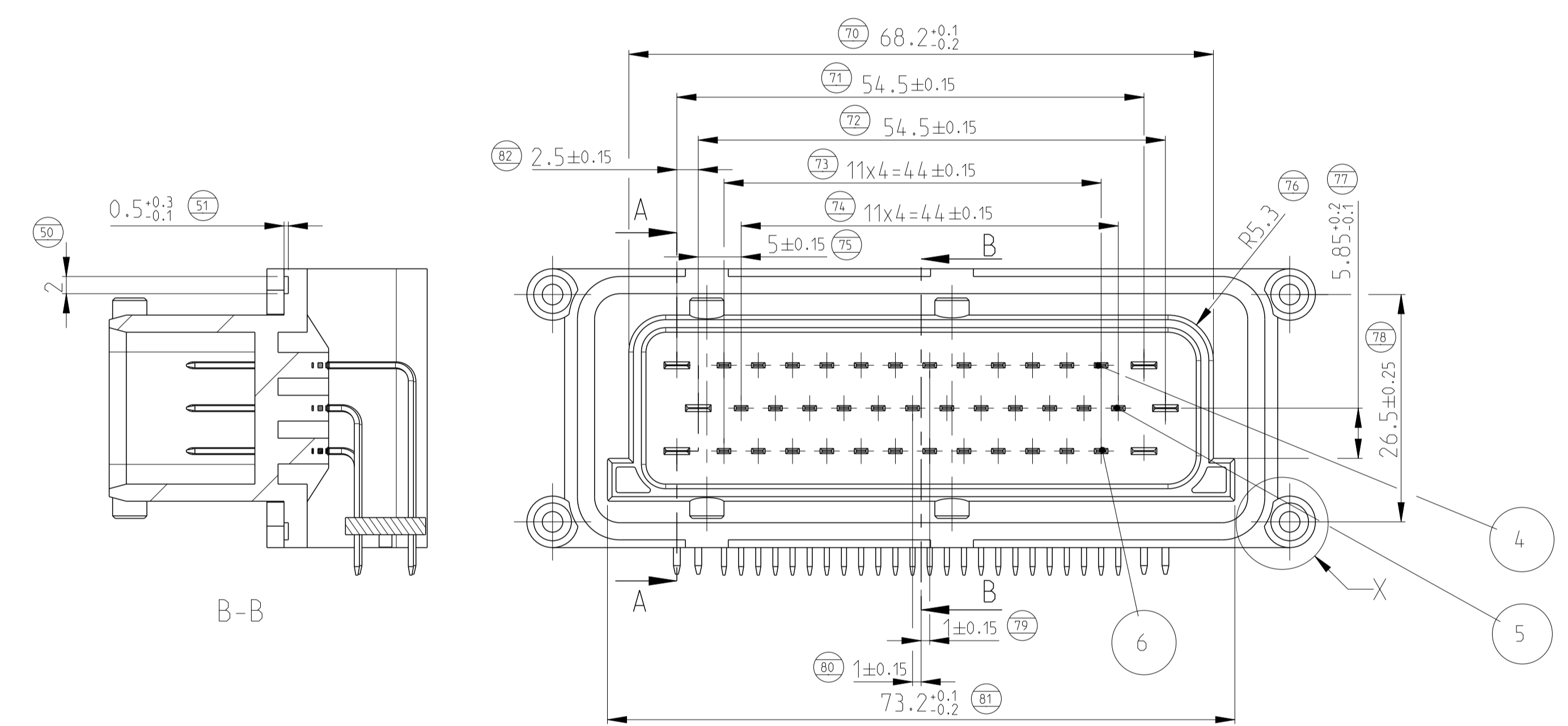
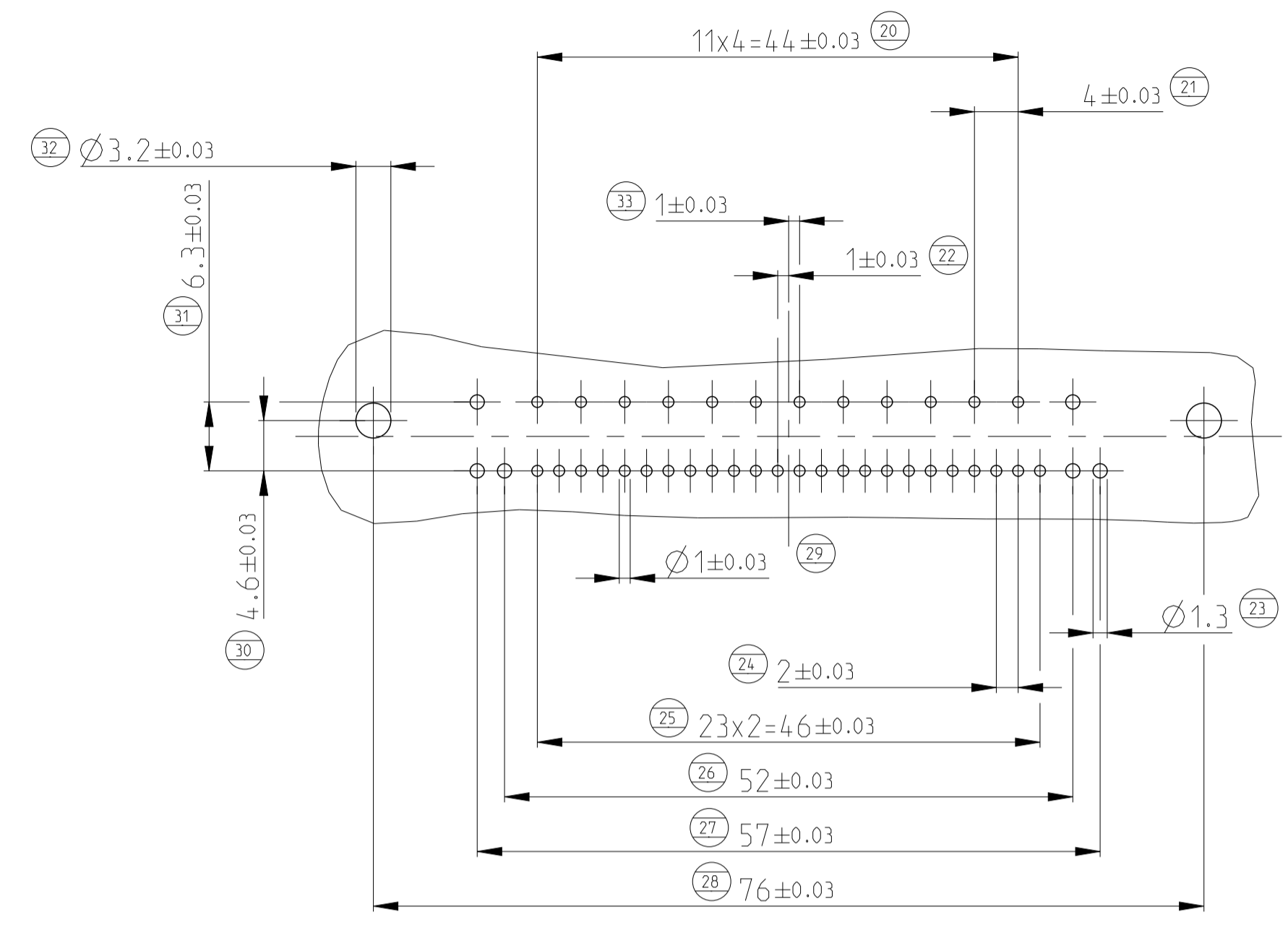


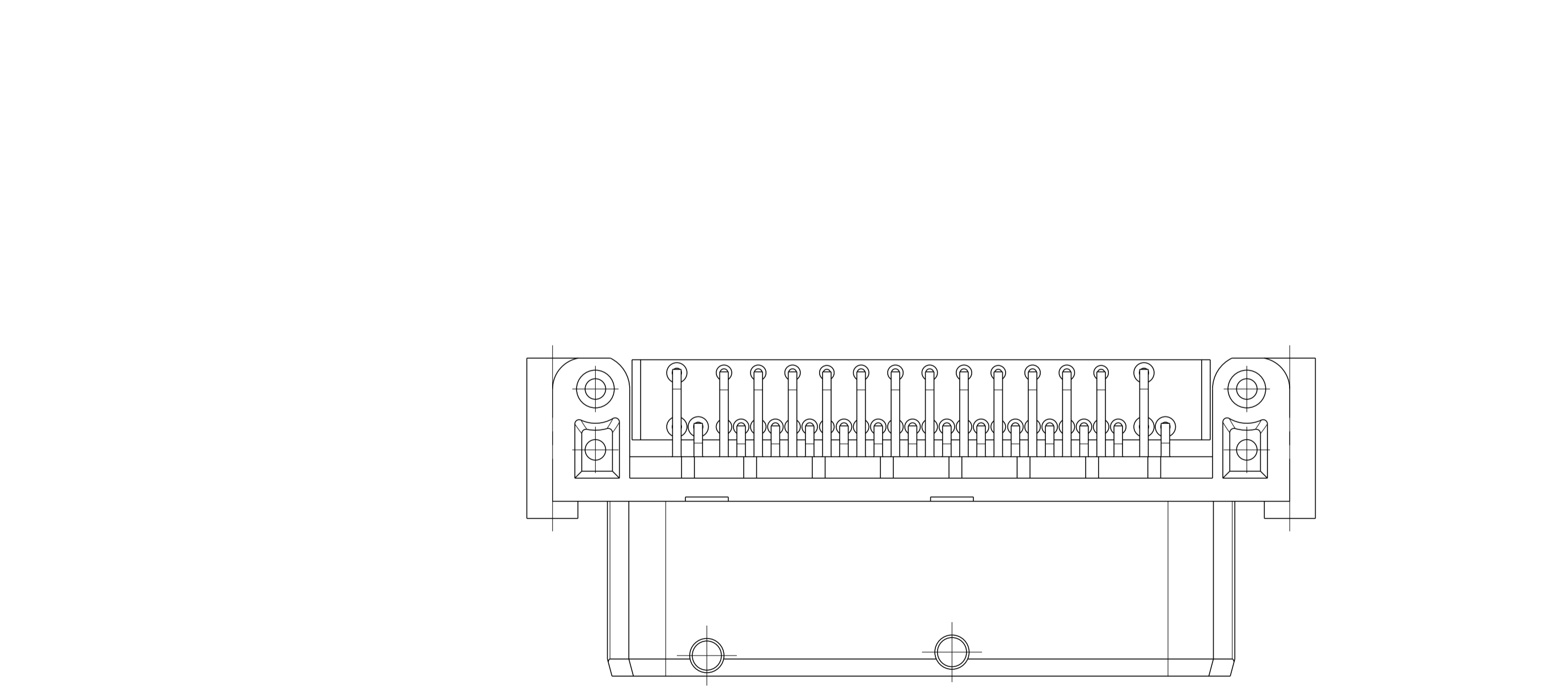
REV	DATE	BY	CHK	APVD
P	21MAR2011	RK	HMR	
P1	14NOV2016	ML	VC	



PCB-Layout für 90° + 270° Version  
2:1



X  
4:1



WARPAGE: ADDITIONAL TO PERMISSIBLE DIMENSION TOLERANCE SEE VALUE BEHIND NOTE  
Einfall: Zusätzlich zur Maßtoleranz zulässiger gleichmäßiger Einfall siehe Wert hinter Note

ORDER Nr.	REV.	POS.	ITEM Nr.	DESCRIPTION	MATERIAL	SURFACE COLOR
5-963224-1 Coding N	E	8	1	42pos Mixed Tab Header	PBT 30% GV	white
		7	1	Centering Plate	PBT 30% GV	black
		6	12	1.6 Tab (33.5)	CuSn4 F41	pre-tinned
		5	12	1.6 Tab (38.5)	CuSn4 F41	pre-tinned
		4	12	1.6 Tab (49.8)	CuSn4 F41	pre-tinned
		3	2	2.8 Tab (33.5)	CuSn4 F41	pre-tinned
		2	2	2.8 Tab (38.5)	CuSn4 F41	pre-tinned
		1	2	2.8 Tab (49.8)	CuSn4 F41	pre-tinned
4-963224-1 Coding D1	E	8	1	42pos Mixed Tab Header	PBT 30% GV	brown
		7	1	Centering Plate	PBT 30% GV	black
		6	12	1.6 Tab (33.5)	CuSn4 F41	pre-tinned
		5	12	1.6 Tab (38.5)	CuSn4 F41	pre-tinned
		4	12	1.6 Tab (49.8)	CuSn4 F41	pre-tinned
		3	2	2.8 Tab (33.5)	CuSn4 F41	pre-tinned
		2	2	2.8 Tab (38.5)	CuSn4 F41	pre-tinned
		1	2	2.8 Tab (49.8)	CuSn4 F41	pre-tinned
3-963224-1 Coding C1	E	8	1	42pos Mixed Tab Header	PBT 30% GV	blue
		7	1	Centering Plate	PBT 30% GV	black
		6	12	1.6 Tab (33.5)	CuSn4 F41	pre-tinned
		5	12	1.6 Tab (38.5)	CuSn4 F41	pre-tinned
		4	12	1.6 Tab (49.8)	CuSn4 F41	pre-tinned
		3	2	2.8 Tab (33.5)	CuSn4 F41	pre-tinned
		2	2	2.8 Tab (38.5)	CuSn4 F41	pre-tinned
		1	2	2.8 Tab (49.8)	CuSn4 F41	pre-tinned
2-963224-1 Coding B1	E	8	1	42pos Mixed Tab Header	PBT 30% GV	grey
		7	1	Centering Plate	PBT 30% GV	black
		6	12	1.6 Tab (33.5)	CuSn4 F41	pre-tinned
		5	12	1.6 Tab (38.5)	CuSn4 F41	pre-tinned
		4	12	1.6 Tab (49.8)	CuSn4 F41	pre-tinned
		3	2	2.8 Tab (33.5)	CuSn4 F41	pre-tinned
		2	2	2.8 Tab (38.5)	CuSn4 F41	pre-tinned
		1	2	2.8 Tab (49.8)	CuSn4 F41	pre-tinned
1-963224-1 Coding A1	E	8	1	42pos Mixed Tab Header	PBT 30% GV	black
		7	1	Centering Plate	PBT 30% GV	black
		6	12	1.6 Tab (33.5)	CuSn4 F41	pre-tinned
		5	12	1.6 Tab (38.5)	CuSn4 F41	pre-tinned
		4	12	1.6 Tab (49.8)	CuSn4 F41	pre-tinned
		3	2	2.8 Tab (33.5)	CuSn4 F41	pre-tinned
		2	2	2.8 Tab (38.5)	CuSn4 F41	pre-tinned
		1	2	2.8 Tab (49.8)	CuSn4 F41	pre-tinned

THIS DRAWING IS A CONTROLLED DOCUMENT. DIMENSIONING AND TOLERANCING PER GPS (ISO STANDARDS) UNLESS OTHERWISE SPECIFIED.

DATE: 03 JUL 2007  
DRAWN BY: T. Kilian  
CHECKED BY: T. Kilian

NAME: Mix Messerleiste, 42 polig

PRODUCT SPEC: -  
APPLICATION SPEC: -

SIZE: A1  
CAGE CODE: -  
DRAWING NO: C=963224

RESTRICTED TO: -

WEIGHT: 44.3  
CUSTOMER DRAWING

SCALE: 2:1  
SHEET: 1 OF 1  
REV: P1

TE Connectivity