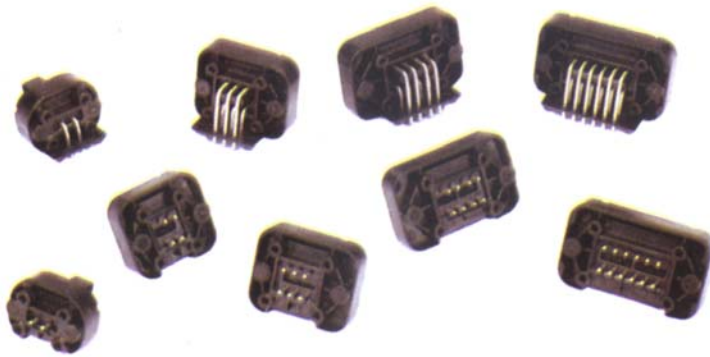


Source: **Connectors for Electronic Modules**

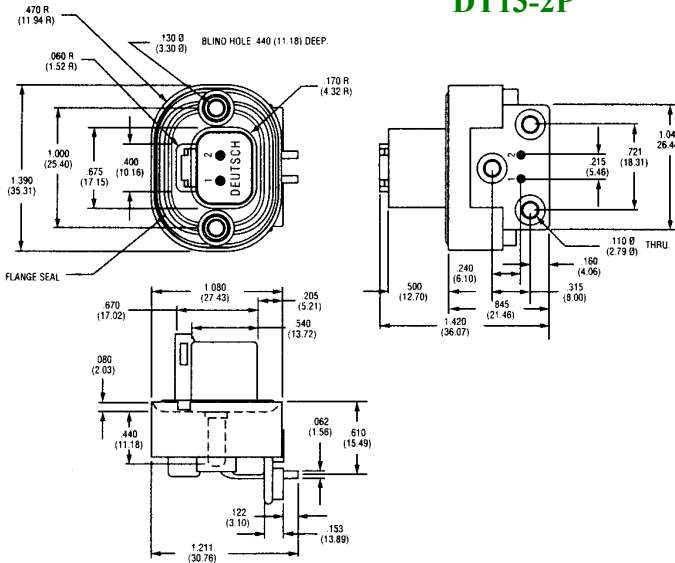


Deutsch I.P.D. engineers have developed the DT13/15 Series of P.C.B. headers for those applications requiring a budget-minded - low pin count connector. Designed in 2, 4, 6, 8, and 12 pin arrangements and utilizing the size 16 contact, the DT13/15 Series fills the need for many heavy-duty rated electronic sensor and small module applications.

Designed for application flexibility, the DT13 Series is supplied with (90°) right angle terminations. As the DT15 Series denotes straight pins, the solid copper alloy pins are molded-in providing excellent vibration/shock reliability that is required in the truck, bus and off-highway industry.

The DT13/15 headers mate with the Deutsch DT06 Series plugs, which may be specified with precision formed contacts for a low total cost installation.

DT13-2P



Materials

- Housing: Thermoplastic
- Contacts: Molded-In Copper Alloy Tin Plated (Gold Optional - Consult Factory)
- Mtg. Seal: Silicone

P.C.B. Mounting

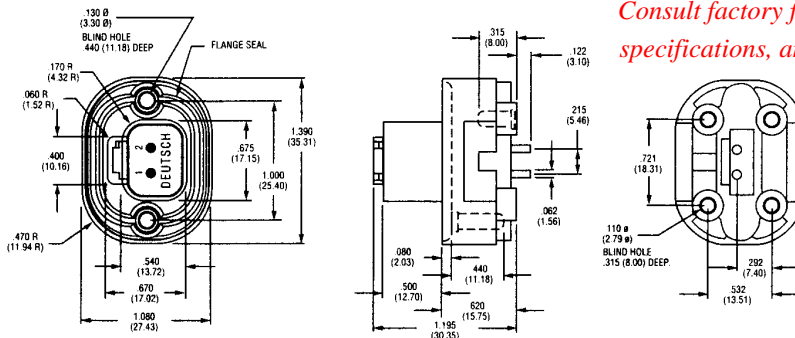
Consult factory for P.C.B. mounting details and pin positions.

Mating Plugs

- 2 Pin: DT06 - 2S
- 4 Pin: DT06 - 4S
- 6 Pin: DT06 - 6S
- 8 Pin: DT06 - 08S*
- 12 Pin: DT06 - 12S*

*Keying Positions: Position "A" supplied as standard. Alternate positions B, C, & D are available.

DT15-2P

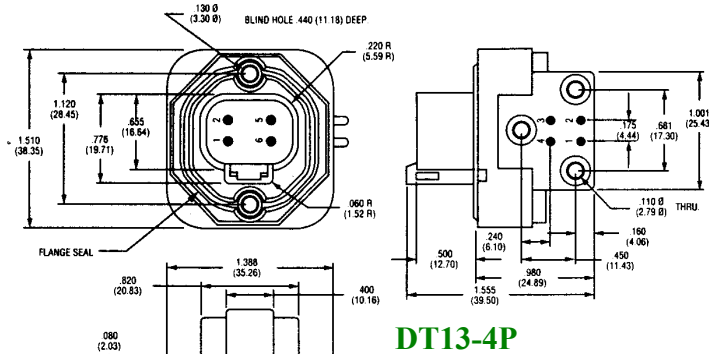


Information contained herein is for reference only. Consult factory for new envelope drawings, updated specifications, and additions to product lines.



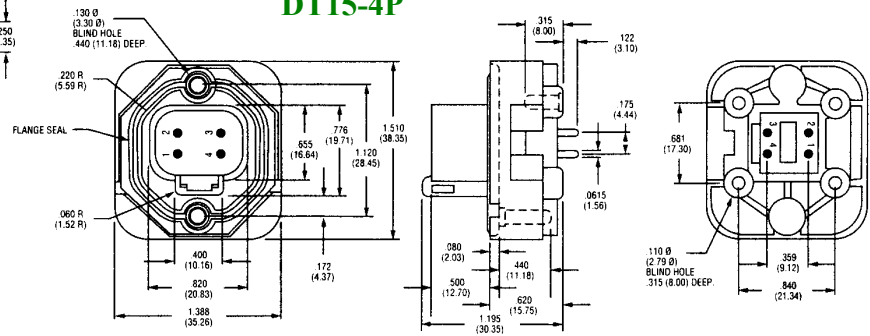
DT13/15 SERIES RIGHT ANGLE (Continued)

Source: Connectors for Electronic Modules

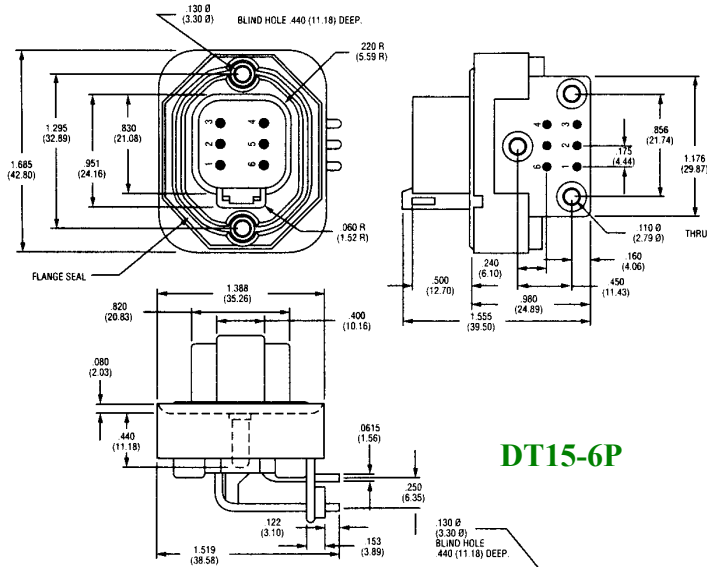


DT13-4P

DT15-4P

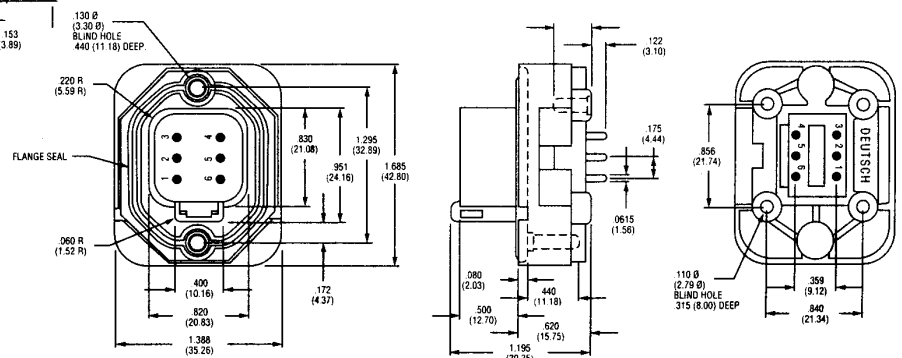


DT13-6P



DT15-6P

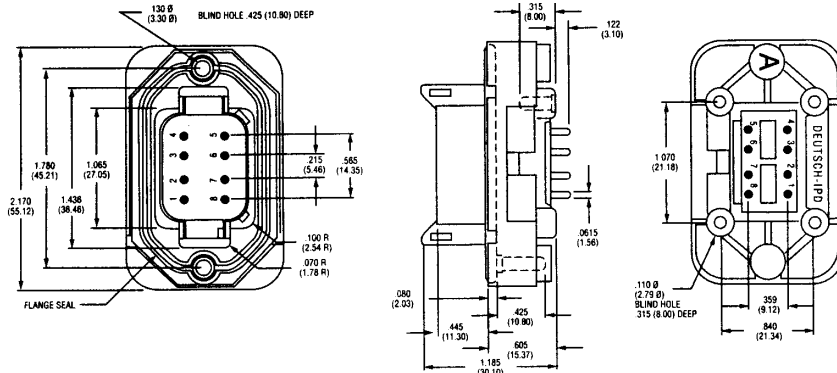
Information contained herein is for reference only.
Consult factory for new envelope drawings, updated specifications, and additions to product lines.



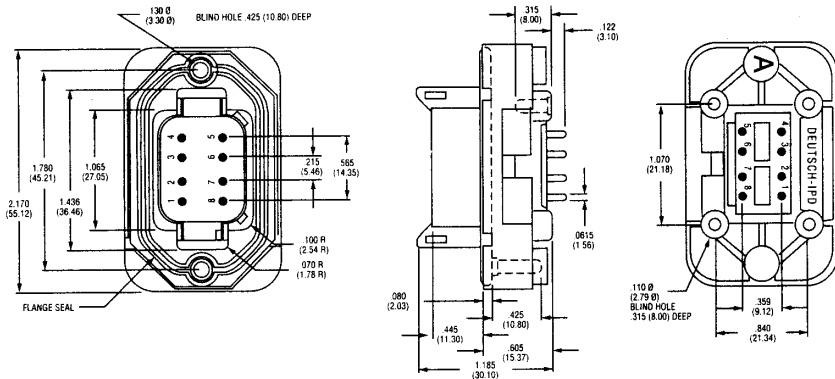
DT13/15 SERIES RIGHT ANGLE (Continued)

Source: Connectors for Electronic Modules

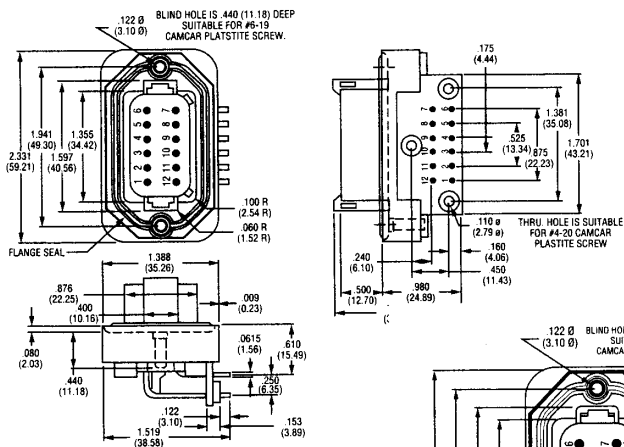
DT13-8P*



DT15-8P*

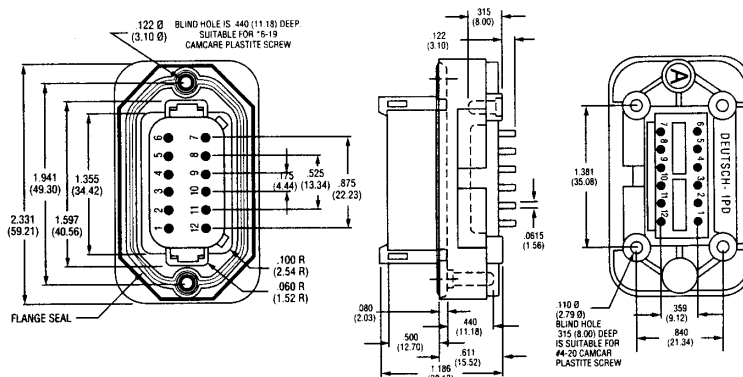


DT13-12P*



Information contained herein is for reference only.
Consult factory for new envelope drawings, updated specifications, and additions to product lines.

DT15-12P*



*Keying Positions

Position "A" supplied as standard.
Alternate positions B, C, & D are available.

