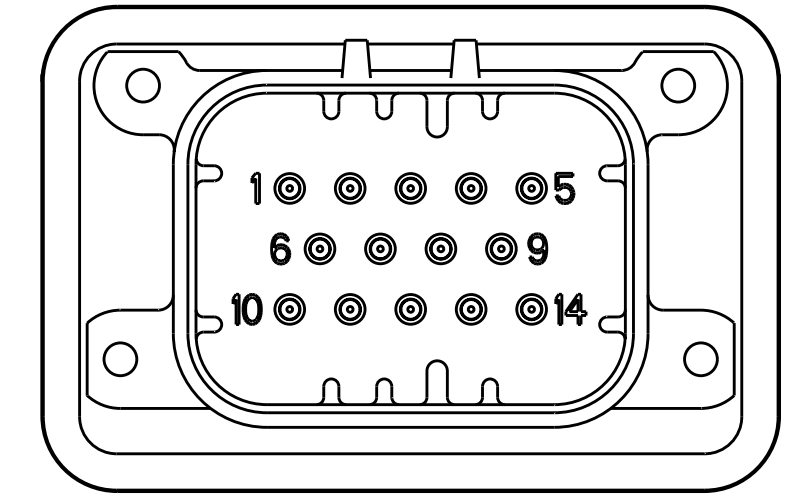
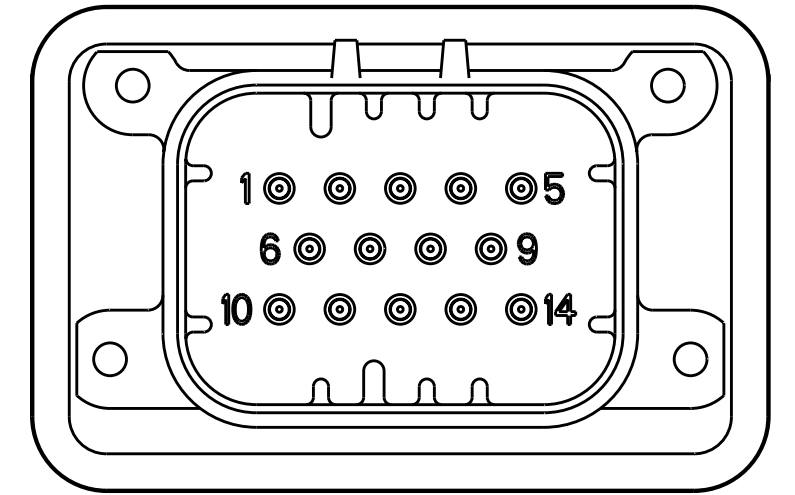


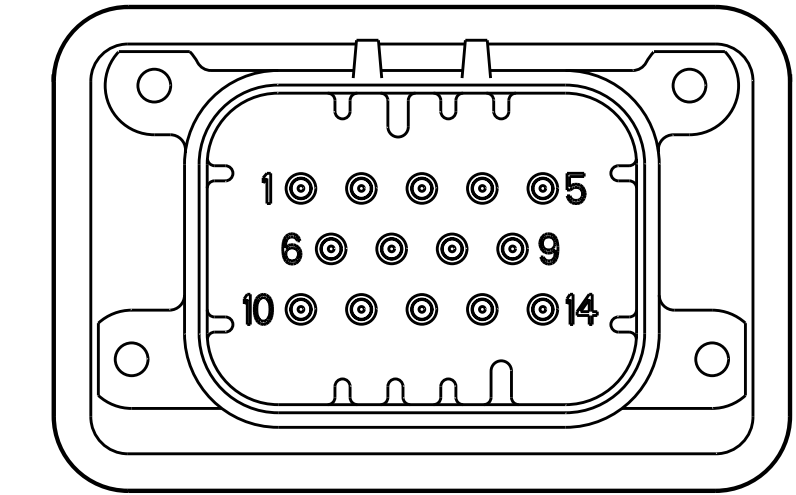
LOC	DIST	REV	DATE	BY	CHK	APPV
GE	00	B3	11MAR2011	RK	HMR	



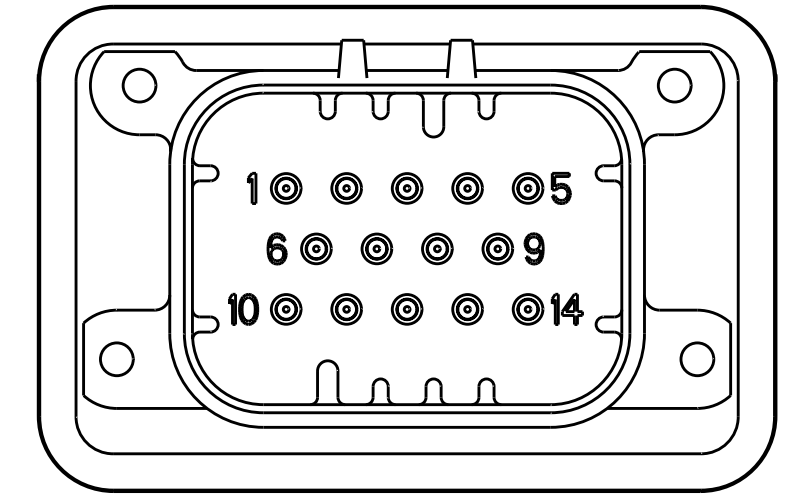
776267-1 & 1-776267-1
KEY LOCATION
SCALE 2:1



776267-2 & 1-776267-2
KEY LOCATION
SCALE 2:1



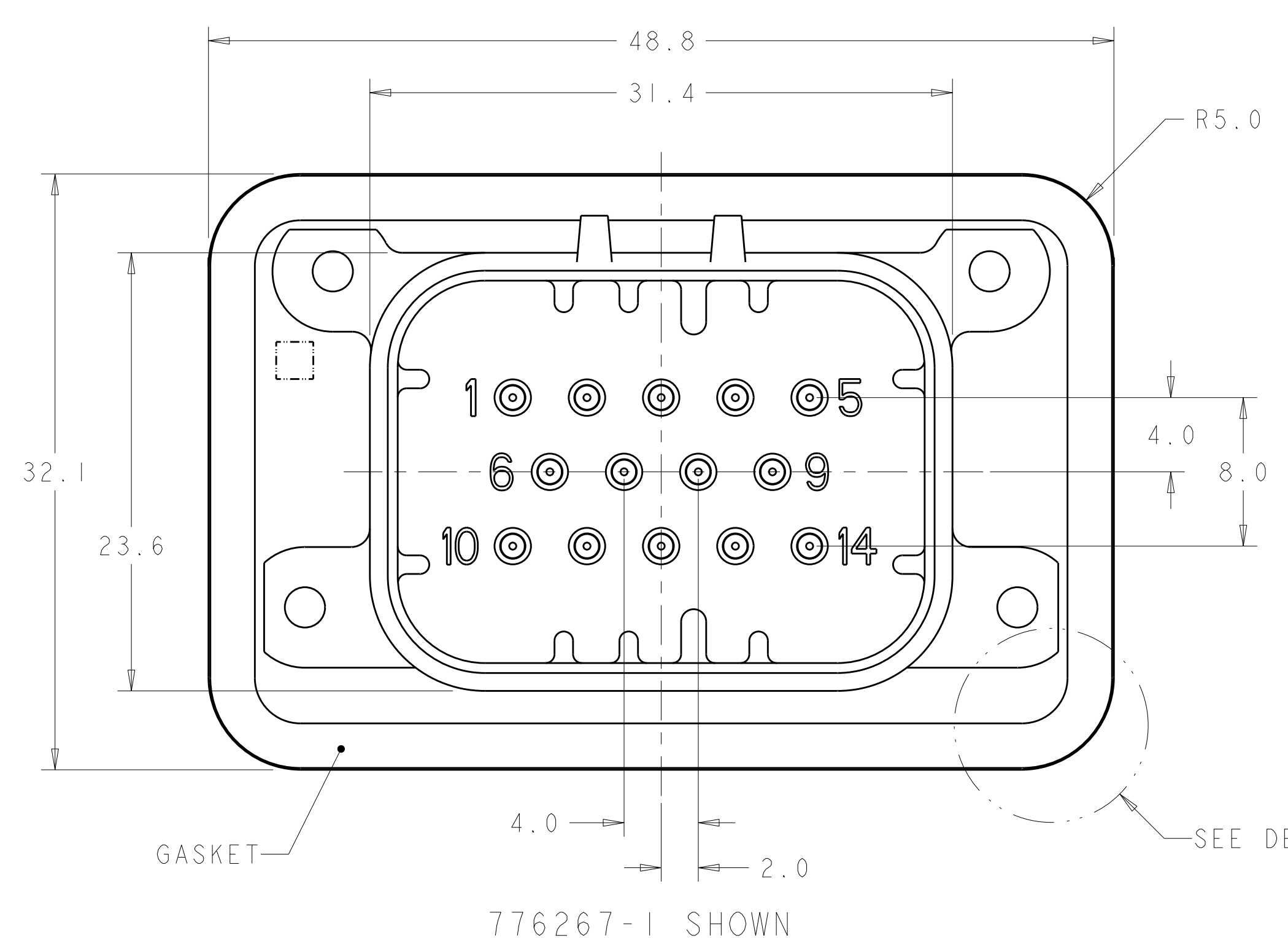
776267-4 & 1-776267-4
KEY LOCATION
SCALE 2:1



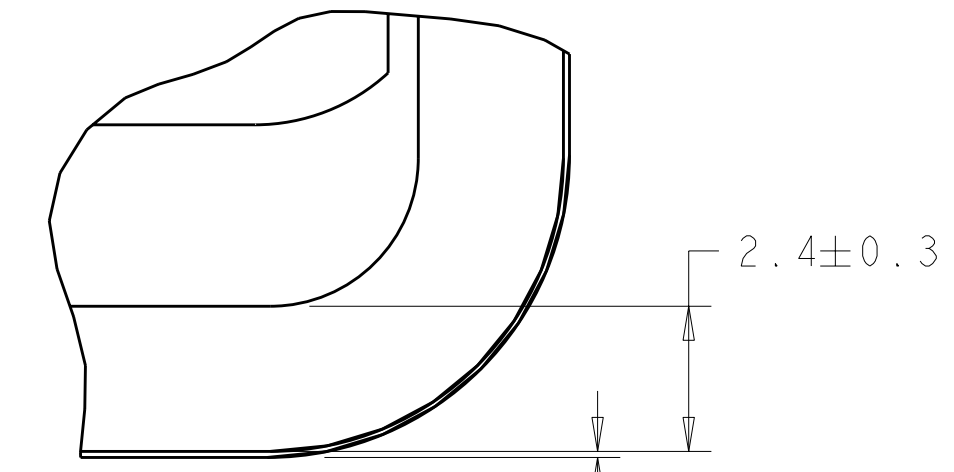
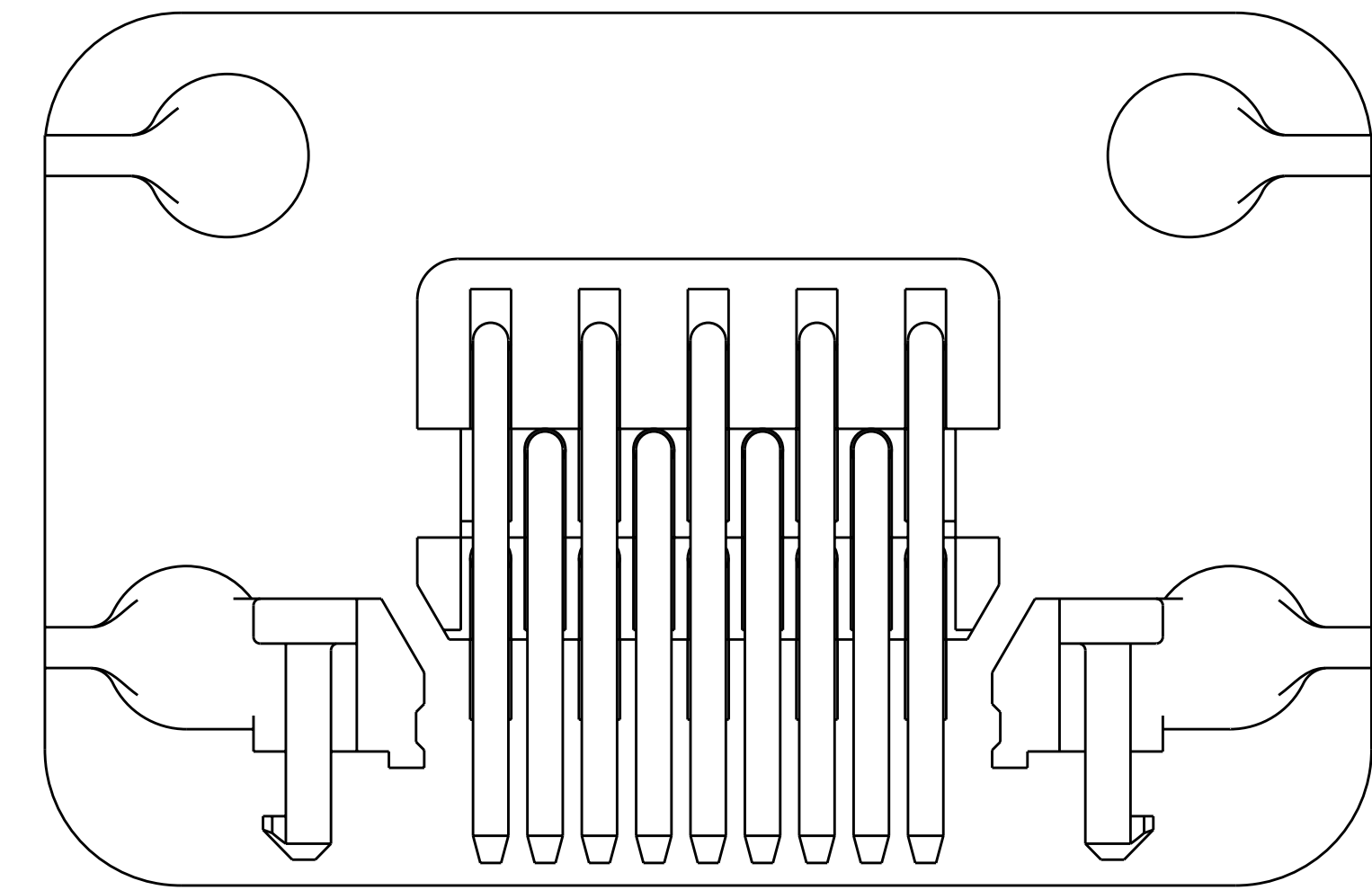
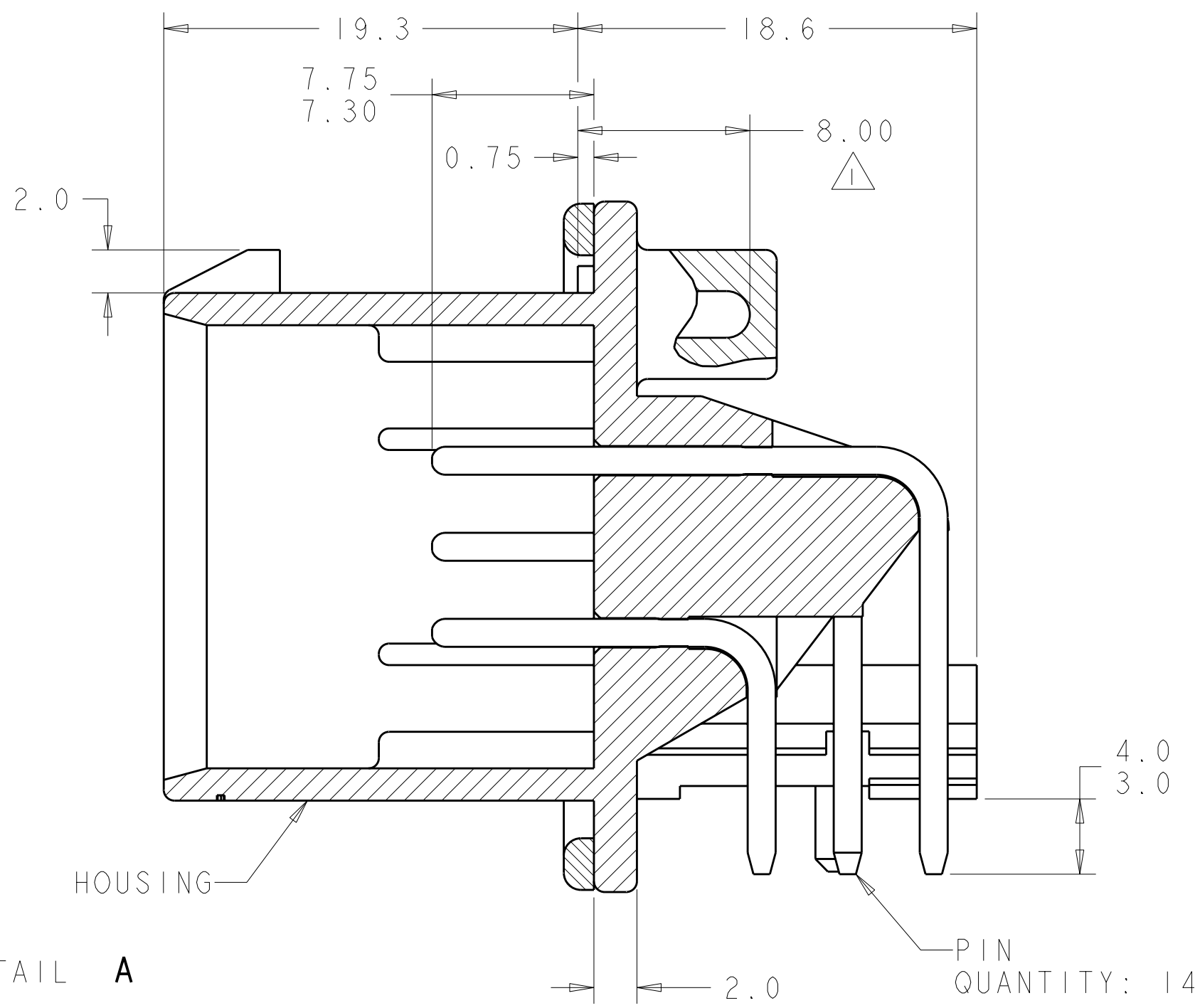
776267-5 & 1-776267-5
KEY LOCATION
SCALE 2:1

ACCEPTS #4 SELF TAPPING THREAD CUTTING SCREWS OR METRIC EQUIVALENT. DRIVE TO 0.6±0.2 N-m MAX.

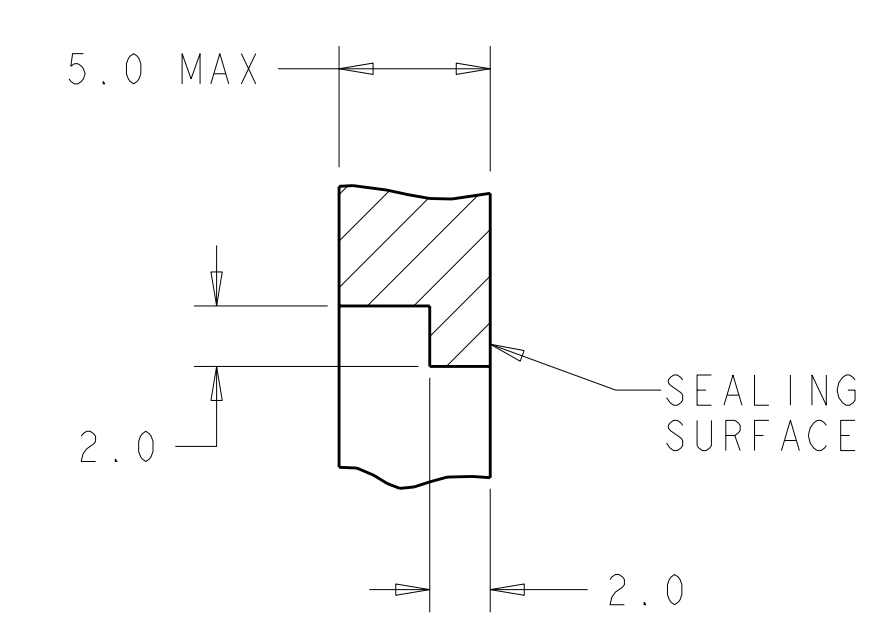
HOUSING COLORS ARE MECHANICALLY KEYED TO MATE ONLY WITH IDENTICALLY COLORED PLUG ASSEMBLIES.



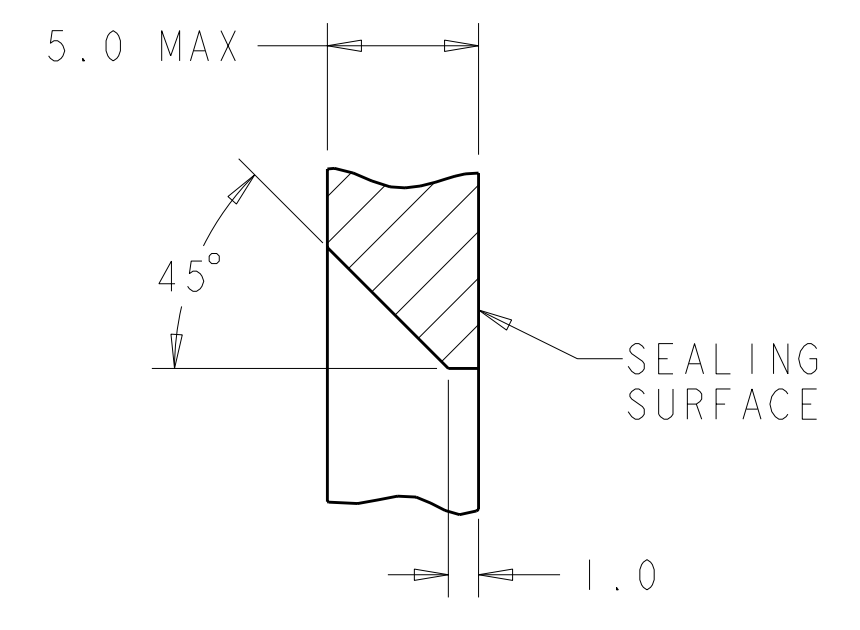
776267-1 SHOWN



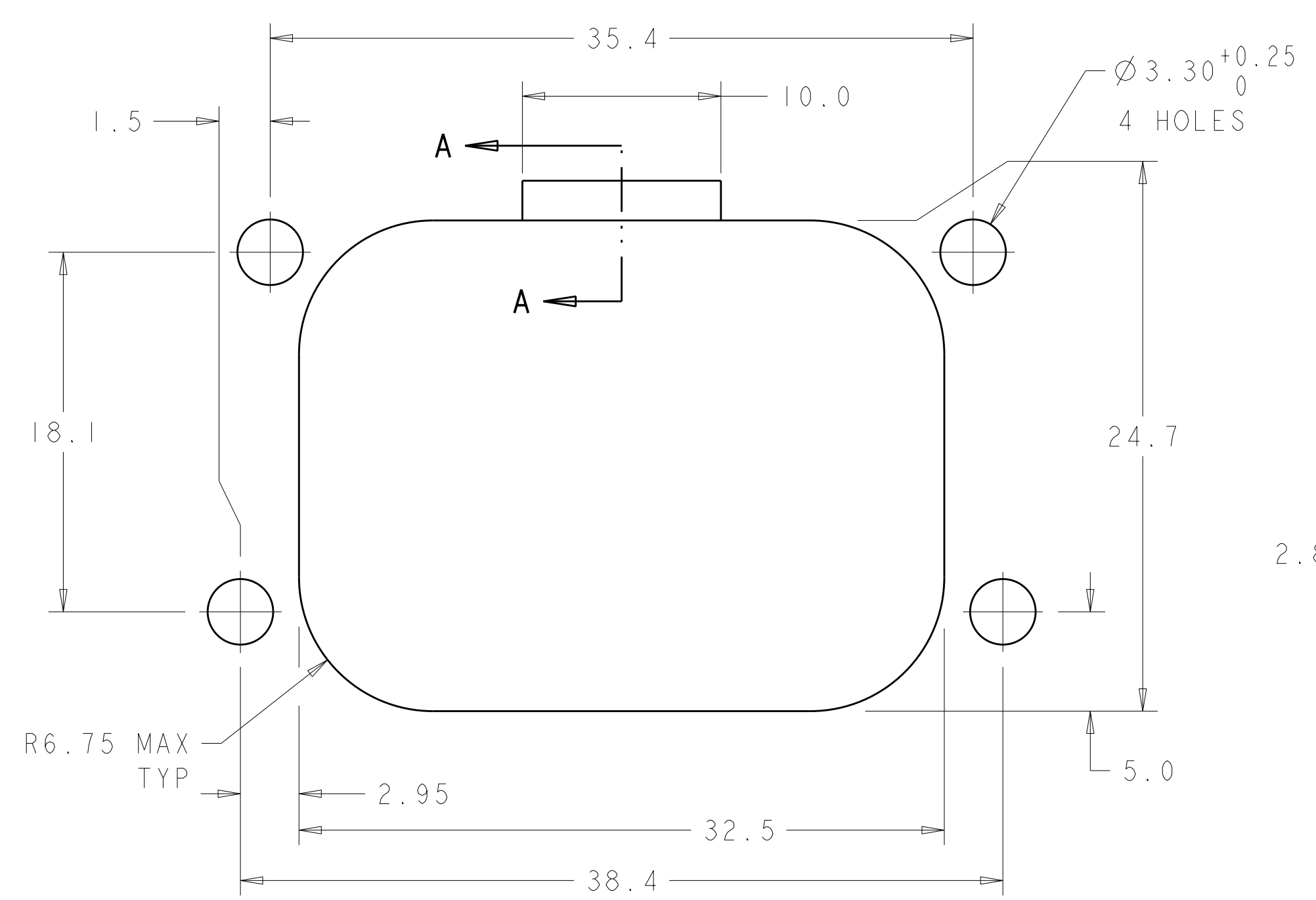
DETAIL A
SCALE 8:1



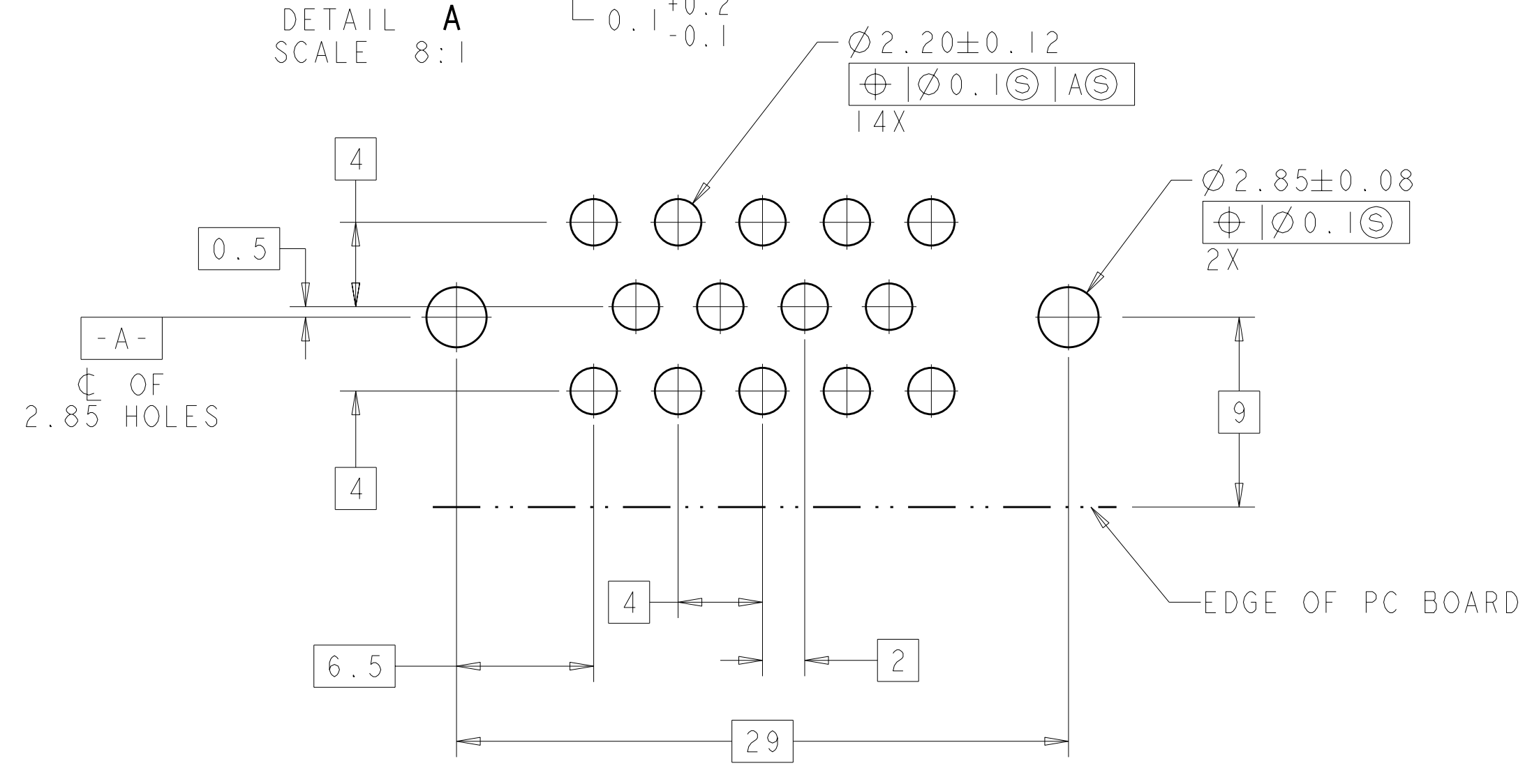
SECTION A-A
OPTIONAL CONSTRUCTION IF THICKNESS IS GREATER THEN 2.0



SECTION A-A
OPTIONAL CONSTRUCTION IF THICKNESS IS GREATER THEN 2.0



RECOMMENDED MOUNTING HOLE LAYOUT FOR 5.0 MAXIMUM THICK PANEL



RECOMMENDED PC BOARD LAYOUT FOR 1.57 PC BOARD

GASKET MATERIAL	HEADER HOUSING COLOR	DESCRIPTION	PART NUMBER
SILICONE	BLUE	DURAGOLD PLATED	1-776267-5
SILICONE	GRAY	DURAGOLD PLATED	1-776267-4
SILICONE	NATURAL	DURAGOLD PLATED	1-776267-2
SILICONE	BLACK	DURAGOLD PLATED	1-776267-1
SILICONE	BLUE	TIN PLATED	776267-5
SILICONE	GRAY	TIN PLATED	776267-4
SILICONE	NATURAL	TIN PLATED	776267-2
SILICONE	BLACK	TIN PLATED	776267-1

THIS DRAWING IS A CONTROLLED DOCUMENT.

STE TE Connectivity

NAME: HEADER ASSEMBLY, 14 POSITION, RIGHT ANGLE, AMPSEAL

SIZE: CAGE CODE: DRAWING NO: RESTRICTED TO: A100779C-776267

SCALE: 4:1 SHEET 1 OF 1 REV: B3