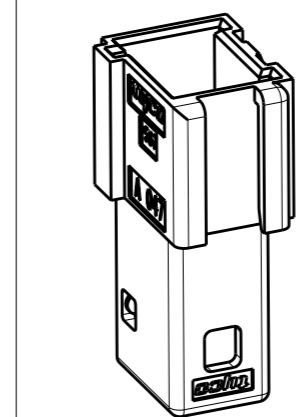
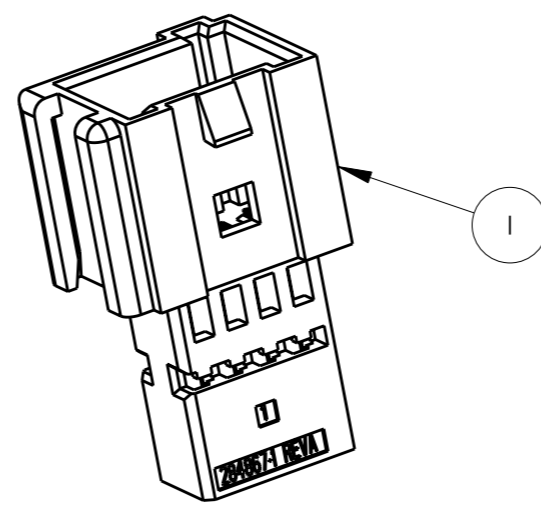
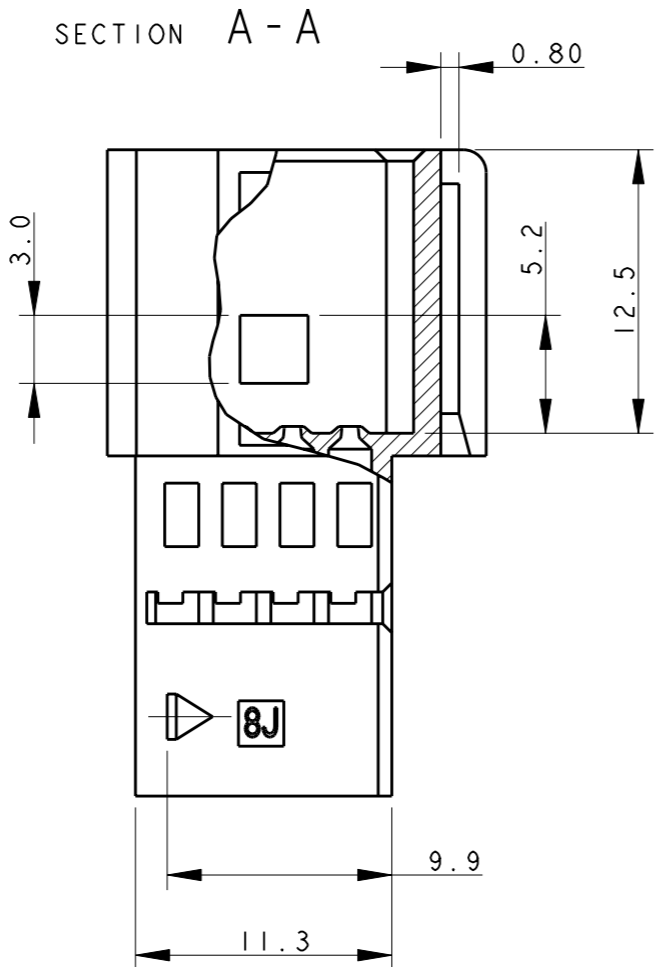
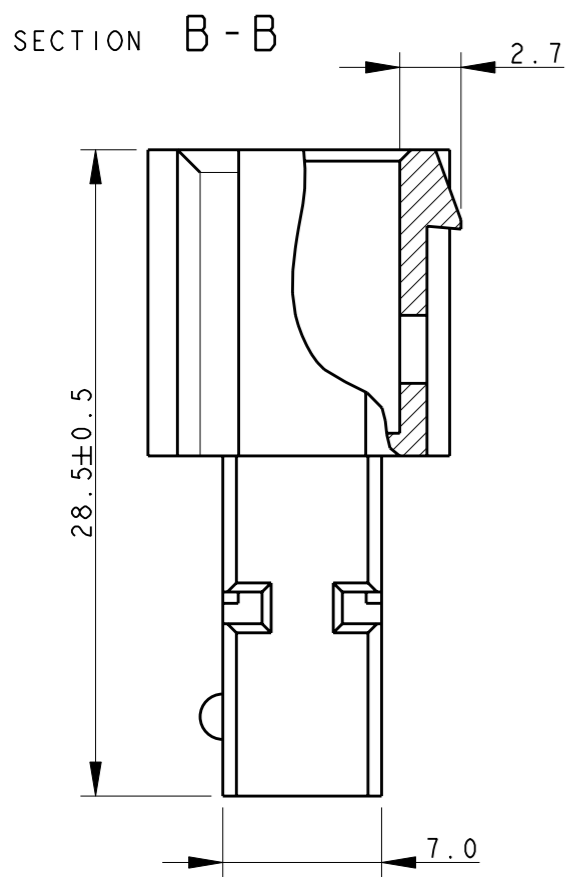
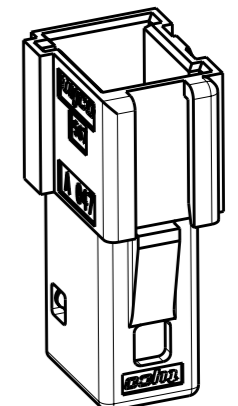


THIS DRAWING IS UNPUBLISHED. RELEASED FOR PUBLICATION 2002
 © COPYRIGHT 2002 BY TYCO ELECTRONICS CORPORATION. ALL RIGHTS RESERVED.

LOC	DIST	REVISIONS			
P	LTR	DESCRIPTION	DATE	DWN	APVD
		A2	ADDED -2 VERSION	31/03/2006	M.P. R.M.
		A3	RELEASED DASH -2 (ECR-06-009425)	28/04/2006	M.P. R.M.
		A4	RELEASED -3 AND -4 (ECR-08-027747)	04/11/2008	M.G. M.G.



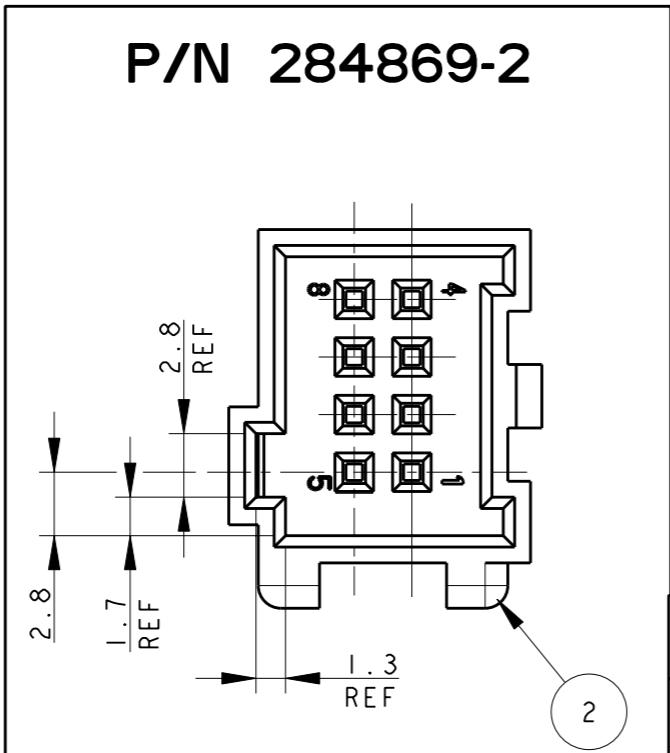
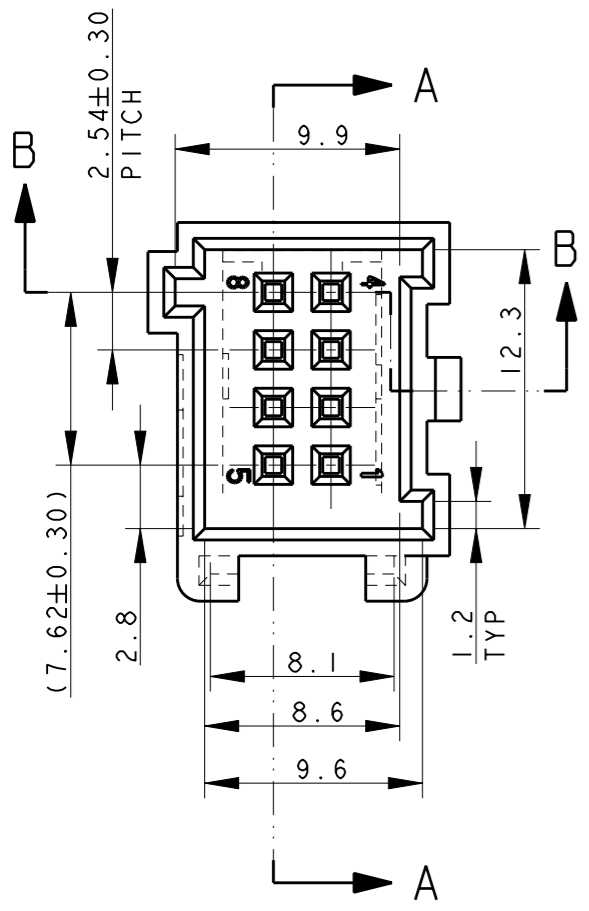
ASSY P/N 284869-1 /-2
VIEW ONLY FOR REF.



ASSY P/N 284869-3 /-4
VIEW ONLY FOR REF.

1 CAVITA' ADATTE PER TERMINALE MASCHIO MICRO QUADLOK SYSTEM TYCO ELECTRONICS P/N 963716-1 E 1-928918-1. (CAVITIES SUITABLE FOR MICRO QUADLOK SYSTEM PIN CONTACTS TYCO ELECTRONICS P/N 963716-1 AND 1-928918-1).

2 STATO DI FORNITURA: KIT COMPOSTO DA BLOCCHETTO PORTA CONTATTI COME INDICATO NEL FOGLIO 1 DI 2 E AGGANCIO SECONDARIO COME INDICATO NEL FOGLIO 2 DI 2 (NON ASSEMBLATI). (SUPPLYING CONDITION: KIT MADE OF PIN HOUSING AS SHOWN IN SHEET 1 OF 2 AND SECONDARY LOCK AS SHOWN IN SHEET 2 OF 2, NOT ASSEMBLED).



PER DIMENSIONI E NOTE MANCANTI VEDERE P/N 284869-1 (FOR MISSING DIMENSIONS AND NOTES SEE P/N 284869-1)

BLOCCHETTO PORTA CONTATTI COME INDICATO (PIN HOUSING AS SHOWN)

QUANTITA' (QUANTITY)	REV. A	REV. A	REV. A	REV. A	ITEM	DESCRIZIONE (DESCRIPTION)	COLORE (COLOUR)	MATERIALE (MATERIAL)
4						AGG. SECOND. (SEC. LOCK)	BLU (BLUE)	PA 6,6 CAR. VETRO (PA 6,6 G.F. FILLED)
3						AGG. SECOND. (SEC. LOCK)	ROSSO (RED)	
2						BLOCCHETTO (PIN HOUSING)	GRIGIO (GRAY)	
1						BLOCCHETTO (PIN HOUSING)	NERO (BLACK)	
	4	3	2	1				

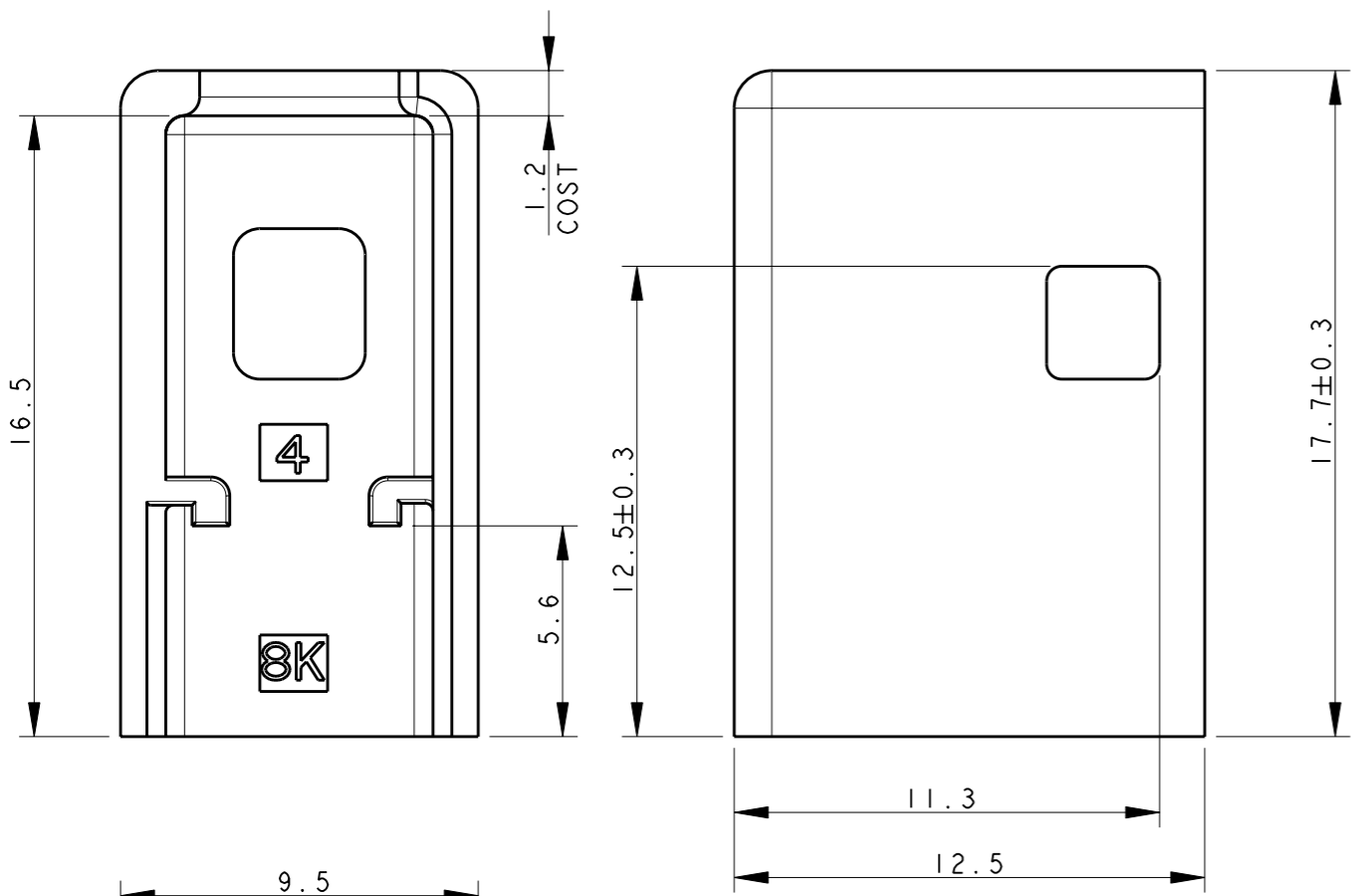
THIS DRAWING IS A CONTROLLED DOCUMENT FOR TYCO ELECTRONICS CORPORATION IT IS SUBJECT TO CHANGE AND THE CONTROLLING ENGINEERING ORGANIZATION SHOULD BE CONTACTED FOR THE LATEST REVISION.

DIMENSIONS: mm	TOLERANCES UNLESS OTHERWISE SPECIFIED:
	0 PLC ±
	1 PLC ±0.3
	2 PLC ±
	3 PLC ±
	4 PLC ±
	ANGLES ±1°
MATERIAL VEDERE TABELLA (SEE TABLE)	FINISH VEDERE TABELLA (SEE TABLE)

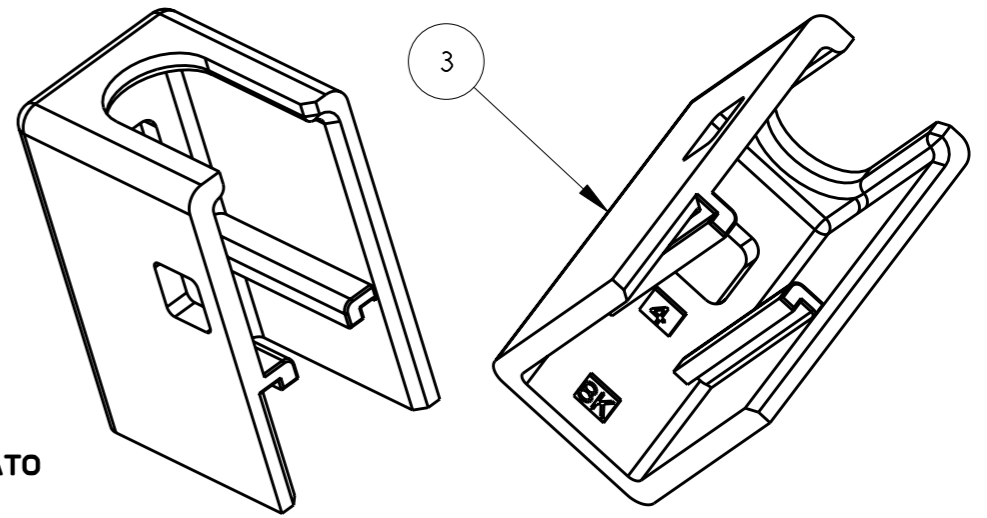
DWN M. PALMA 22APR2002	Tyco Electronics AMP Italia S.r.l. C.so F.lli Cervi 15 Collegno (TO)	
CHK R. MARTINI 22APR2002	NAME 8 POS. MICRO QUADLOK SYSTEM PIN CONNECTOR ASS'Y	
APVD A. GENTA 22APR2002	SIZE A3 CAGE CODE 00779 DRAWING NO C-284869	
PRODUCT SPEC -	RESTRICTED TO -	
APPLICATION SPEC -	SCALE 5:1 SHEET 1 OF 2 REV A4	
WEIGHT 2,6 gr	CUSTOMER DRAWING	

THIS DRAWING IS UNPUBLISHED. RELEASED FOR PUBLICATION 2002
 © COPYRIGHT 2002 BY TYCO ELECTRONICS CORPORATION. ALL RIGHTS RESERVED.

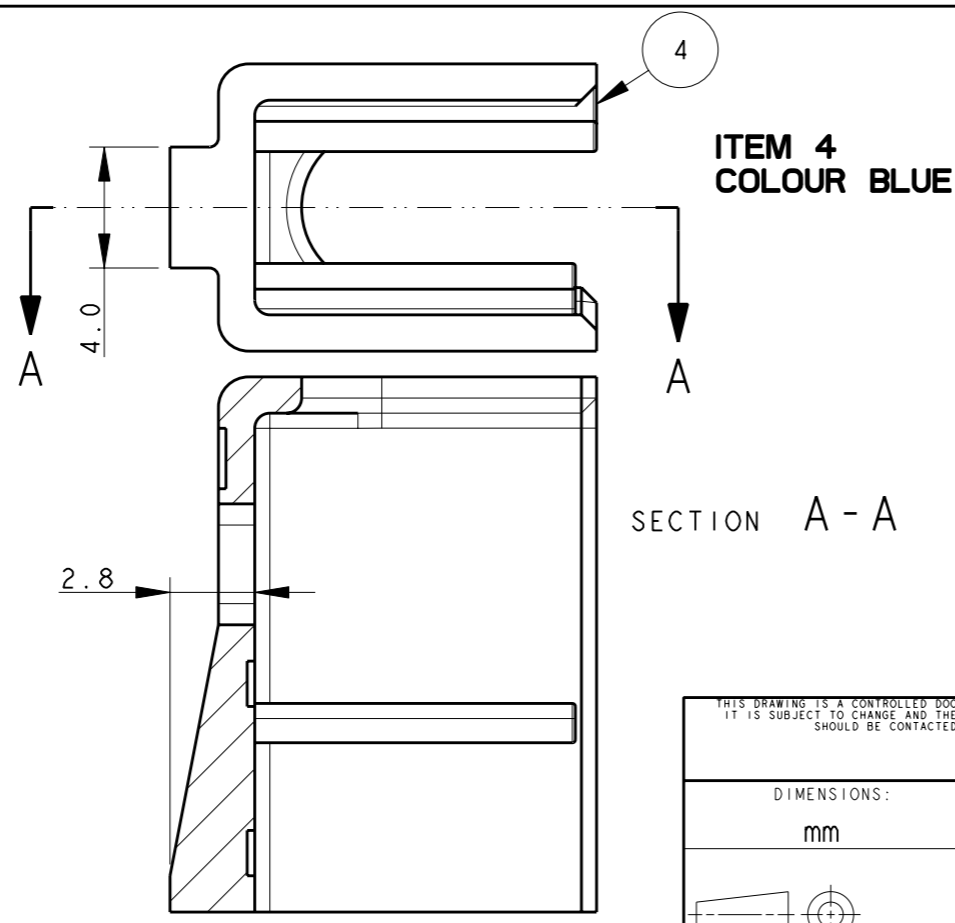
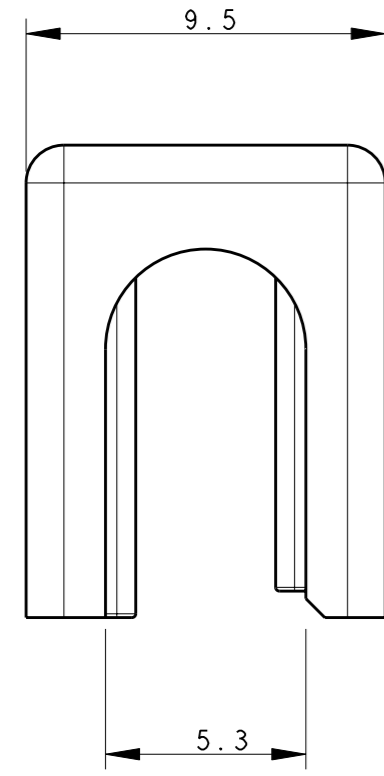
LOC		DIST		REVISIONS				
P	LTR	DESCRIPTION			DATE	DWN	APVD	
1	-	VEDERE PAG. 1 (SEE SHEET 1)						



ITEM 3
COLOUR RED



AGGANCIO SECONDARIO COME INDICATO
(SECONDARY LOCK AS SHOWN)

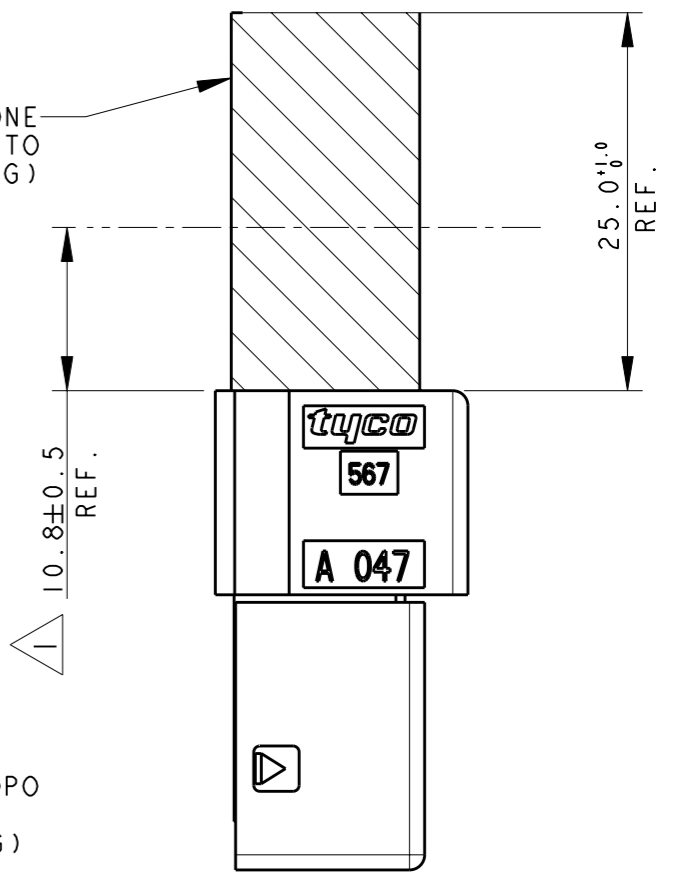


ITEM 4
COLOUR BLUE

SECTION A - A

INGOMBRO DELLA CONNESSIONE
PRIMA DELL'ACCOPIAMENTO
(CONNECTING AREA BEFORE MATING)

INGOMBRO DELLA CONNESSIONE DOPO
L'ACCOPIAMENTO.
(CONNECTING AREA AFTER MATING)



PER DIMENSIONI E NOTE MANCANTI
VEDERE ITEM -3-
(FOR MISSING DIMENSIONS
AND NOTES SEE ITEM -3-)

THIS DRAWING IS A CONTROLLED DOCUMENT FOR TYCO ELECTRONICS CORPORATION IT IS SUBJECT TO CHANGE AND THE CONTROLLING ENGINEERING ORGANIZATION SHOULD BE CONTACTED FOR THE LATEST REVISION.		DWN M. PALMA 22APR2002	AMP Italia S.r.l. C.so F.lli Cervi 15 Collegno (TO)	
DIMENSIONS: mm		CHK R. MARTINI 22APR2002	Tyco Electronics	
TOLERANCES UNLESS OTHERWISE SPECIFIED:		APVD A. GENTA 22APR2002	NAME 8 POSITION MICRO QUADLOK SYSTEM PIN CONNECTOR ASS'Y	
0 PLC ±	±0.3	PRODUCT SPEC	SIZE A3	CAGE CODE 00779
1 PLC ±	±	APPLICATION SPEC	DRAWING NO C-284869	RESTRICTED TO
2 PLC ±	±	WEIGHT	-	
3 PLC ±	±	CUSTOMER DRAWING	SCALE 5:1	SHEET 2 OF 2
4 PLC ±	±			REV A4
ANGLES ±°	±1°			
MATERIAL VEDERE TABELLA PAG. 1 (SEE TABLE SHEET 1)	FINISH VEDERE TABELLA PAG. 1 (SEE TABLE SHEET 1)			