

M880-DMF DIN RAIL POWER METERS

HOBUT

DESCRIPTION

The new range of Hobut DIN rail mounting power meters feature seven selectable colour backlight LCD screens. The range is easy to use and features user-programmable CT & VT ratios that can be used on any single or 3 phase system. The products feature a unique set point relay trip output that can be assigned to eight different measurements.

APPLICATION

The range is a cost effective replacement for traditional panel meters and is suitable for low, medium and high voltage control panels, gensets, building management systems, power management and more.



RANGE

STANDARD FUNCTIONS:

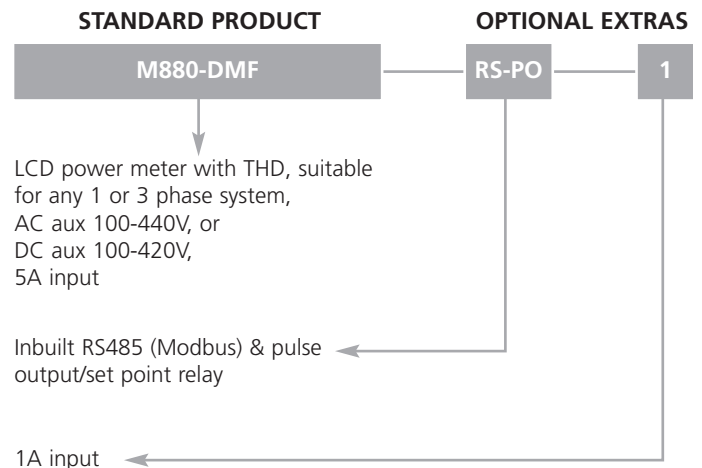
Phase Voltage (V)	Export Reactive Energy (Var.H)
Phase to Neutral Voltage (V)	VA Energy (VA.h)
Phase Current (I)	Amp Hour (A.h)
Neutral Current	System Amp Demand (A Dmd)
Frequency (Hz)	System Import Active Power Demand (W Dmd)
Average Power Factor (PF)	System Export Active Power Demand (W Dmd)
Import Active Power (W)	System Apparent Power Demand (VA Dmd)
Import Active Power per phase L1 L2 L3 (W)	System Amp Maximum Demand (A Max Dmd)
Export Active Power (W)	System Import Active Power Max Dmd (W Max Dmd)
Export Active Power per phase L1 L2 L3 (W)	System Export Active Power Max Dmd (W Max Dmd)
Import Reactive Power (Var)	System Apparent Power Max Dmd (VA Max Dmd)
Export Reactive Power (Var)	THD Voltage 1% upto 32st
Apparent Power (Va)	THD Current 1% upto 31st
Import Active Energy (W.h)	
Export Active Energy (W.h)	
Import Reactive Energy (Var.H)	

PROGRAMMABLE FUNCTIONS

All models feature the following user-programmable functions:

- Selectable Screen Colour
- Current Transformer Ratio
- Voltage Transformer Ratio
- Baud Rate, Parity, Stops
- AC or DC AUX
- Single or 3 phase system
- Input voltage range 28-570V
- RS485 address, 1-247
- Security code access for programming
- Programmable set point relay output

ORDERING INFORMATION



Order example: a standard product with RS485 (Modbus) and pulsed output is part number M880-DMF-RS-PO

SET POINT RELAY

The relay output can be programmed to be used as a pulsed output or instead as a set point relay. When used as a set point relay:-

- up to 8 parameters can be assigned to the relay
- whichever parameter reaches the set point will cause the relay to trip

Relay Mode:	can be set to over, under or window mode
Trip:	can be set from 1% to 250% of input
Reset (differential):	can be adjusted from 1% to 250% of input
Group Logic:	can be set to 1, 2 or 3 phases or the sum or the average
Time Delay:	can be programmed from 1 to 1800 seconds
Colour:	LCD backlight can be set to change colour when relay as tripped
Relay State:	can be programmed to energise on trip or de-energise on trip

Our policy is one of continuous development and therefore specifications may change without notice.

M880-DMF DIN RAIL POWER METERS

HOBUT

SPECIFICATIONS

ACCURACY

Volts/Amps: 0.5% of reading
 Frequency: 0.1 Hz
 Active Power: 1% of reading
 Apparent Power: 1% of reading
 Power Factor: 1% of range
 Energy: Class 1 to IEC EN 62053-21:2003

INPUT

Rated Un: 28-330V LN, 48-570V L-L
 Overload: 800V continuous
 Burden: 0.5VA per phase
 Rated In: 0.5-6A (5A nominal)
 Overload: 4 In for 1 sec
 Burden: 0.5VA per phase
 Auxiliary: 100-440V AC / 100-420V DC
 Frequency: 45/65Hz

DISPLAY

Digits: 4 lines 9999
 Custom LCD
 Brightness/Colour: User adjustable

OUTPUT RELAY

Wh or VArh: SPNO rated 50V
 Pulse output: 120mA 5W AC/DC
 Pulse duration: Programmable

INSULATION

Installation category: III (480 V AC ph/ph)
 Degree of pollution: 2
 Rated impulse withstand voltage: IEC 60947-1-V imp: 4kV
 Meters front: Class II
 Electrical security: IEC 61010-1
 Inputs + Aux to case: 4kV rms 50Hz for 1 min
 Inputs + Aux to RS485 port: 3kV rms 50Hz for 1 min
 Inputs + Aux to relay output: 1k5V rms 50Hz for 1 min
 Low voltage dc Aux to Inputs: 1k5V rms 50Hz for 1 min

ELECTROMAGNETIC COMPATIBILITY

Immunity to:
 electrostatic discharges: IEC 61000-4-2-Level III
 radiated radio-Hz fields: IEC 61000-4-3-Level III
 electrical fast transient/bursts: IEC 61000-4-4-Level III
 impulse waves: IEC 61000-4-5-Level III
 conducted disturbances: IEC 61000-4-6-Level III
 voltage dips & short interruptions: IEC 61000-4-11

Emissions to:
 conducted and radiated: CISPR11-Class A

ENVIRONMENT

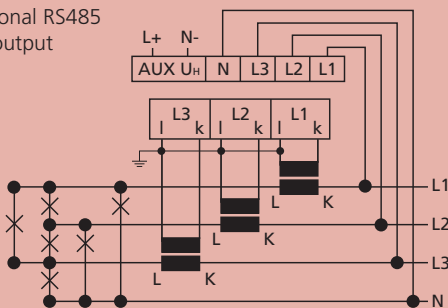
Working temp: -20 to +70°C
 Storage temp: -30 to +80°C
 Relative humidity: 0-95% non condensing
 Shock: 30G in 2 planes

ENCLOSURE

Polycarbonate case to UL94V0
 Weight: 0.2kg
 IP Rating: IP52 (front)

CONNECTION DIAGRAM

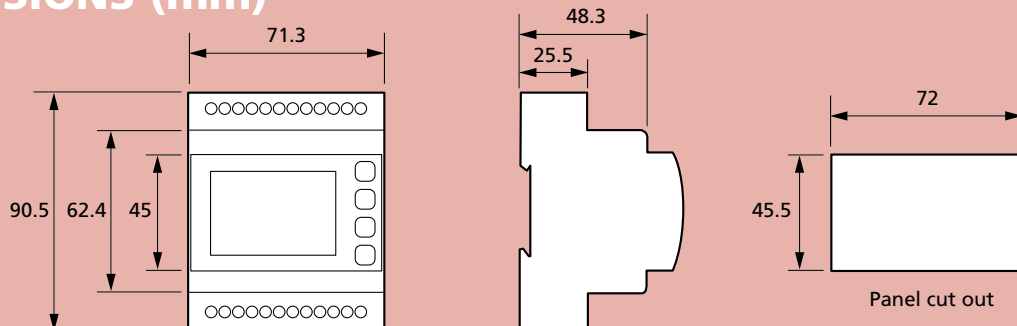
+ optional RS485
 relay output



	VOLTAGE				CURRENT		
	L1	L2	L3	N	L1	L2	L3
1ph	✓	-	-	✓	✓	-	-
3ph 3W	✓	✓	✓	-	✓	-	✓
3ph 4W	✓	✓	✓	✓	✓	✓	✓

Unused Voltage terminals are internally connected
 Secondary of CTs must be connected to earth

DIMENSIONS (mm)



Our policy is one of continuous development and therefore specifications may change without notice.

HOWARD BUTLER LTD

CROWN WORKS, LINCOLN ROAD
 WALSALL WS1 2EB ENGLAND

Tel: 01922 640003 Fax: 01922 723626
 International Tel: +44 1922 640003 E-mail: sales@hobut.co.uk
<http://www.hobut.co.uk>