



SUBMETERS

ULYS MD45 & ULYS MD100



Single-phase, direct connection
up to 100 A

Built-in RS485 Modbus
communication

Two-way, dual-tariff metering



Measure up



ULYS submeters range



The ideal solution for fair rebilling of electrical power consumption in a single-phase network.



A solution compliant with the latest regulations

Suitable for monitoring all your different uses (lighting, sanitary hot water, heating, etc.)



Fair rebilling of consumption

MID, double tariff, partial metering



Direct connection up to 100 A

Quick, simple integration on your single-phase feeders



Easy start-up

Navigation and parameter settings by means of touch-sensitive keys



Built-in Modbus communication

For remote access to all the measured values in a compact unit

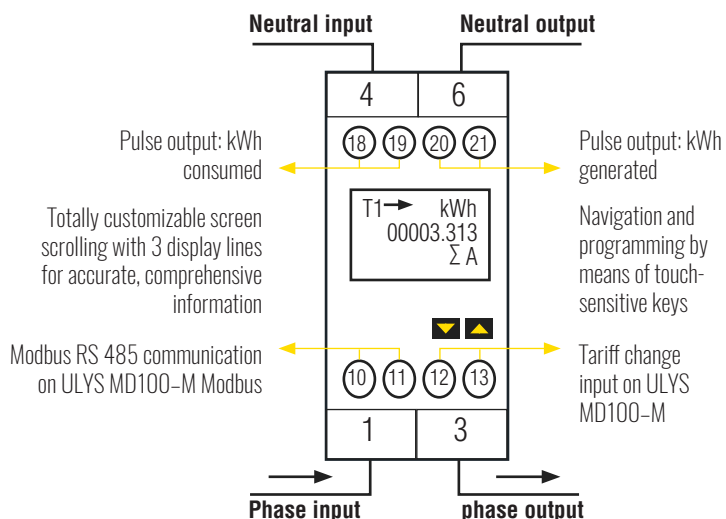


Optimized display

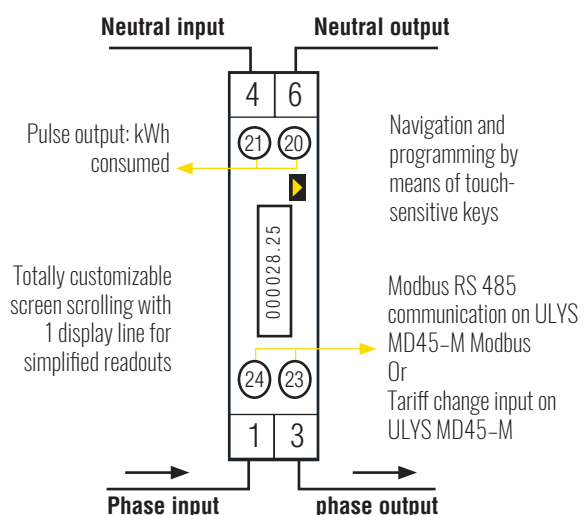
Totally customizable screen scrolling

Thanks to their built-in RS 485 Modbus communication, the meters in the ULYS range can be integrated seamlessly into your local metering, remote data retrieval and energy monitoring applications, as well as applications requiring meter pulse output.

ULYS MD100 Direct connection up to 100 A



ULYS MD45 Direct connection up to 45 A



ption on your

A few applications...



MULTI-MEASUREMENT (V, I, P, Q, S, F, PF)

With local or remote access (RS485 Modbus), for instantaneous display of the electrical quantities on your feeder.



Marinas



Data center / Infrastructure



Industry / Tertiary



MID METERS

Mandatory for rebilling active energy on the basis of consumption data calculated by the index difference. Chauvin Arnoux Energy's active energy meters are MID-certified. Their names include the indication "-M", like the ULYS MD45-M

Technical specifications

ULYS MD45-M

ULYS MD45-M Modbus

ULYS MD100-M

ULYS MD100-M Modbus

Single-phase network

Rated maximum current (Imax)	45 A		100 A		
Minimum current (Imin)	5A				
Inrush current (Ist)	20 mA				
Voltage input	230 Vac (-15 / +10 %)				
Consumption	≤ 2 W/Phase - ≤ 10 VA/Phase				
Frequency	50 Hz ± 10 %				
Metrological LED	10,000 pulses/kWh		10,000 pulses/kWh/kvarh		
Number of pulse outputs	1 (kWh import)		2 (kWh import / export)		
Weight of pulse output	10,000/2,000/1,000/100/10/1/0.1/0.01 pulses/kWh				
Width of pulse output	≤ 5625 W		1,000/100/10/1/0.1/0.01 pulses/kWh		31 ms
	32 ms		2,000 pulses/kWh ≤ 30 kW		31 ms
	11.2 ms		2,000 pulses/kWh > 30 kW		15 ms
			1,000 pulses/kWh ≤ 6 kW		31 ms
			10,000 pulses/kWh > 6 kW		15 ms
			10,000 pulses/kWh > 12 kW		5 ms
Max. operating voltage	05 - 27 Vdc				
Max. operating current	≤ 27 mAdc				
Tariff change input	0 V = T1 230 Vac = T2	-	0 V = T1 230 Vac = T2	-	
Accuracy class	MID Class B				
Communication	-	RS 485 Modbus	-	RS 485 Modbus	
Data storage	10 years powered down				

MULTI-MEASUREMENT

Active energy values	Total, partial, import, export, import export tariff 1, import export tariff 2 (tariff 1 / tariff 2 according to model)
Reactive energy values	Total, import, export, import export tariff 1, import export tariff 2 (tariff 1 / tariff 2 according to model)
Multi-measurement	P, Q, S, V, I, PF, F

DISPLAY

	1 line, 6 digits, blue backlighting	3 lines, 7 digits, blue backlighting
	Automatic adaptation of decimal point position	
	Customizable screen scrolling	

CONNECTIONS (MAX. CROSS SECTION)

Measurement circuit	10 mm ²		35 mm ²	
Pulse output	1.5 mm ²			
Communication	-	1.5 mm ²	-	1.5 mm ²
Tariff change input	1.5 mm ²	-	1.5 mm ²	-

DIMENSIONS

Height with terminal-strip cover	117 mm	141.5 mm
Height without terminal-strip cover	90 mm	92.5 mm
Width	17.5 mm	35.8 mm
Depth	63 mm	
Weight	80 g	160 g
Mounting	On 35 mm DIN rail	

ENVIRONMENT

Operating temperature	-25°C - +55°C
Storage temperature	-40°C - +70°C
Use	Indoor
Altitude	2000 m max.
Humidity: Use / Storage	≤ 75% / ≤ 95%
IP rating	IP51
Protection class	II

TO ORDER

P01330754

P01330756

P01330760

P01330761

See all our energy efficiency solutions at:
www.chauvin-arnoux-energy.com

MEMO,
three-phase and single-phase meters particularly well suited to applications in the housing and small tertiary sector

ELOG DATA LOGGER,
the unit for remote retrieval, recording and storage of the energy data from communicating meters

Eonline3,
a single software product for monitoring, analyzing and supervising energy consumption and performance

FRANCE
Chauvin Arnoux Energy
16, rue Georges Besse
92182 ANTONY Cedex
Tél : +33 1 75 60 10 30
Fax : +33 1 46 66 62 54
info@enerdis.fr
www.chauvin-arnoux-energy.com

UNITED KINGDOM
Chauvin Arnoux Ltd
Nelson Ct, Flagship Sq, Shaw Cross Business Pk
Dewsbury, West Yorkshire - WF12 7TH
Tel: +44 1924 460 494
Fax: +44 1924 455 328
info@chauvin-arnoux.co.uk
www.chauvin-arnoux.com

MIDDLE EAST
Chauvin Arnoux Middle East
P.O. BOX 60-154
1241 2020 JAL EL DIB - LEBANON
Tel: +961 1 890 425
Fax: +961 1 890 424
camie@chauvin-arnoux.com
www.chauvin-arnoux.com

 **CHAUVIN ARNOUX**
GROUP