

Features

- 4.3" TFT
- HDMI Input
- 800 x 480 Resolution
- 1100 cd/m² Brightness
- IPS Panel
- Full Viewing Angles
- -30°C to +70°C Operating Temperatures
- High Contrast Ratio
- 16.7M Colours

RS PRO HDMI TFT LCD Display

RS Stock No.: 254-0019



RS PRO is the own brand of RS. The RS PRO Seal of Approval is your assurance of professional quality, a guarantee that every part is rigorously tested, inspected, and audited against demanding standards. Making RS PRO the Smart Choice for our customers.

Product Description

This RS PRO HDMI Display is a 4.3" (16:9) TFT LCD Display, with a high resolution of 800x480 (WVGA), IPS technology and high brightness. This model is composed of:

- *A TFT LCD panel*
- *Backlight system*
- *HDMI interface*

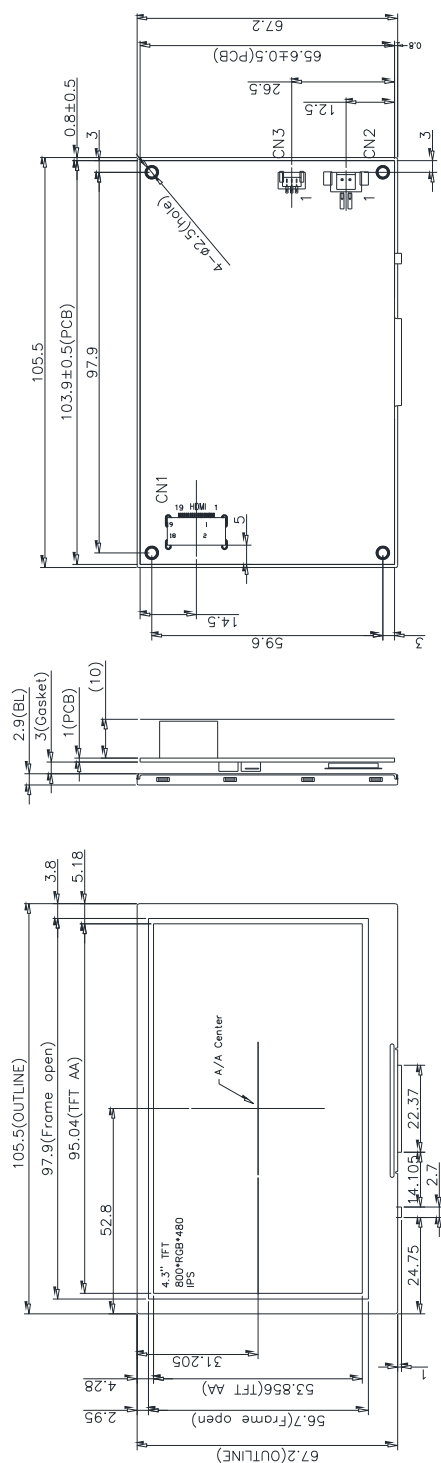
It is designed to make Raspberry Pi usage easy. You can simply use this TFT display with your Raspberry Pi, or any other computer device with HDMI as an output. The high brightness and wide operating temperature make this model the ideal solution for any indoor or outdoor application.

General Specifications

Panel Size	4.3"
Resolution	800x480
Display Technology	IPS
Contrast Ratio	800
Brightness (cd/m2)	1100
Video Input	HDMI
Operating Temperature	-30°C to +70°C
Storage Temperature	-30°C to +80°C
Touch Panel	No Touch Panel
Touch Panel Interface	N/A

Mechanical Specifications

Overall Dimensions WxHxD (mm)	105.5 x 67.2 x 16.9
Active Area WxH (mm)	95.04 x 53.85



CN1 – HDMI A Type

Pin No.	Symbol	I/O	Function
1	TMDS 2+	I	TMDS Data2+
2	GND	P	TMDS Data2 Shield
3	TMDS 2-	I	TMDS Data2-
4	TMDS 1+	I	TMDS Data1+
5	GND	P	TMDS Data1 Shield
6	TMDS 1-	I	TMDS Data1-
7	TMDS 0+	I	TMDS Data0+
8	GND	P	TMDS Data0 Shield
9	TMDS 0-	I	TMDS Data0-
10	TMDS CLK+	I	TMDS Clock+
11	GND	P	TMDS Clock Shield
12	TMDS CLK-	I	TMDS Clock-
13	N.C.	-	N.C.
14	N.C.	-	N.C.
15	DDC_SCL	I	IIC SCL to EDID ROM
16	DDC_SDA	I/O	IIC SDA to EDID ROM
17	GND	P	DDC/CEC Ground
18	HD_5V	P	+5V Power
19	HPD	O	Hot Plug Detect

CN2 - Power Input – RS Pro USB Cables 268-2647 (500mm length) or 268-2646 (2000mm length)

Pin No.	Symbol	I/O	Function
1	5.0V	P	Power Supply +5V
2	GND	P	Ground

CN3 – Backlight Control - WAFER P1.25mm: 1251-03-ST-SE or compatible

Pin No.	Symbol	I/O	Function
1	GND	P	Ground
2	PWM	I	Back-light Dimming control (internal pull up to 3.3V)
3	NC	-	No connection.

Electrical Specifications

HDMI TFT LCD Module

Item	Symbol	Values			Unit
		Min	Typ.	Max.	
Supply Voltage	5.0V	4.5	5	5.5	V
PWM frequency		200	-	200K	Hz
PWM Dimming Voltage	V _{PWM-IH}	2	3.3	5	V
	V _{PWM-IL}	-	-	0.8	V
Supply Current	ICC(5V)	-	375	405	mA
LED life-time		-	50000	-	Hr

Optical Characteristics

Item	Symbol	Condition	Min.	Typ.	Max.	Unit
Brightness	--	Note1, Note 3, ($\theta = 0^\circ$, Normal)	880	1100	--	cd/m ²
Uniformity	B-uni		70	75	-	%
Contrast Ratio	CR		640	800	--	--

Response Time		Tr + Tf	Viewing Angle)	--	30	40	ms
Color Chromaticity	White	Wx		0.260	0.310	0.360	--
		Wy		0.280	0.330	0.380	--
View angle	Horizontal	θ_{x+}	Center CR \geq 10	70	80	--	
		θ_{x-}		70	80	--	
	Vertical	θ_{Y+}		70	80	--	
		θ_{Y-}		70	80	--	

Approvals

Declarations	UKCA / RoHS / REACH
--------------	---------------------

Accessories

Stock No.	Brand	Product Name	Attribute 1	Attribute 2
268-2647	RS PRO	USB Cable	Power the HDMI Display through USB	500mm length
268-2646	RS PRO	USB Cable	Power the HDMI Display through USB	2000mm length

Similar Products

Stock No.	Brand	Product Name	Attribute 1	Attribute 2	Attribute 3
254-0020	RS PRO	5" HDMI TFT	1000 cd/m ² Brightness	No Touch	IPS Technology
254-0021	RS PRO	4.3" HDMI TFT	1000 cd/m ² Brightness	Capacitive Touch	IPS Technology

