


MDT0700LIH-RGB	800 x 480	RGB Interface	TFT Module
Specification			
Version: 1		Date: 19/09/2020	
Revision			
1	17/09/2020	First issue	

Display Features			
Display Size	7.0"		
Resolution	800 x 480		
Orientation	Landscape		
Appearance	RGB		
Logic Voltage	3.3V		
Interface	RGB		
Brightness	500 cd/m ²		
Touchscreen	---		
Module Size	165.80 x 106.61 x 6.50mm		
Operating Temperature	-30°C ~ +80°C		
Pinout	50 way FFC		Box Quantity
Pitch	0.5mm	---	---

* - For full design functionality, please use this specification in conjunction with the HX8249-A + HX8678-C specification.(Provided Separately)

Display Accessories	
Part Number	Description

Optional Variants	
Appearances	Voltage



Summary

The MDT0700LIH-RGB is a 7-inch LCD Cell with thin film transistors as active elements and contains 800 (H) X 480 (V) pixels. Each pixel is divided into red, green and blue dot, which are arranged in vertical stripe. The cell is normally black mode, and can be applied to the transmission type display. Backlight unit (BLU) and circuit board for the cell are not built in.

General Specifications

- Size: 7.0 inch
- Dot Matrix: 800 x RGB x 480(TFT) dots
- Module dimension: 165.8 (W) x 106.61 (H) x 6.5(D) mm
- Active area: 152.40 x 91.44 mm
- Dot pitch: 0.1905 x 0.1905 mm
- LCD type: TFT, Normally Black, Transmissive
- View Direction: 80/80/80/80
- TFT Interface: 24-bit RGB
- TFT Driver IC: HX8249-A + HX8678-C or Equivalent
- Aspect Ratio: 15:9
- Backlight Type: LED, Normally White
- With /Without TP: Without TP
- Surface: Anti-Glare

*Color tone slight changed by temperature and driving voltage.



Interface

1. LCM PIN Definition

Pin	Symbol	Function	Remark
1-4	NC	No connection	
5	GND	Power Ground	
6	NC	No connection	
7	VCC	Power voltage	
8	NC (MODE)	Input timing mode selection. Effective when FCS=1.	
		MODE	Function
		0	DE only
		1	HS+VS
	Note	-	
		Default	
9	DE	Data enable signal for TTL mode.	
10	VS	Vertical sync input	
11	HS	Horizontal sync input	
12	B7	Blue data(MSB)	
13	B6	Blue data	
14	B5	Blue data	
15	B4	Blue data	
16	B3	Blue data	
17	B2	Blue data	
18	B1	Blue data	
19	B0	Blue data(LSB)	
20	G7	Green data(MSB)	
21	G6	Green data	
22	G5	Green data	
23	G4	Green data	
24	G3	Green data	
25	G2	Green data	
26	G1	Green data	
27	G0	Green data(LSB)	
28	R7	Red data(MSB)	
29	R6	Red data	
30	R5	Red data	
31	R4	Red data	
32	R3	Red data	



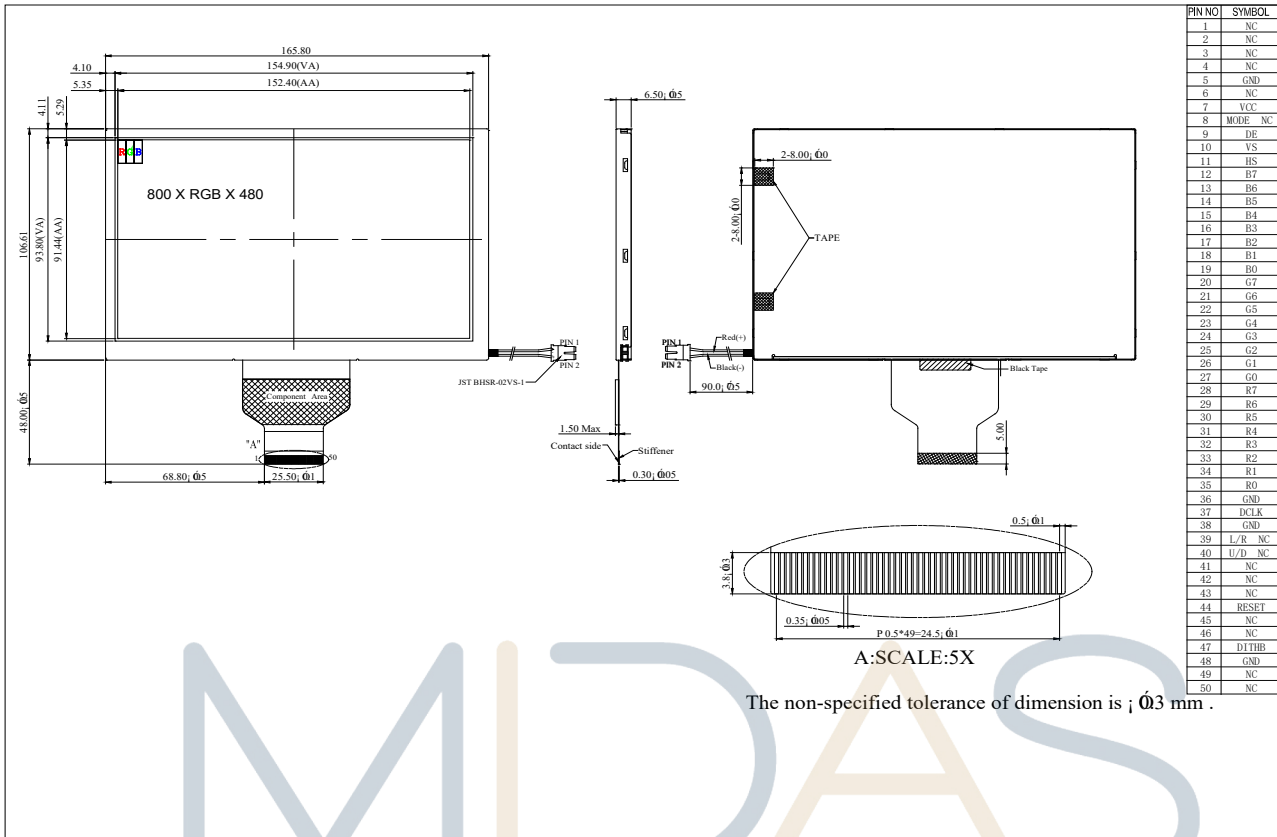
33	R2	Red data										
34	R1	Red data										
35	R0	Red data (LSB)										
36	GND	Power Ground										
37	DCLK	Sample clock										
38	GND	Power Ground										
39	NC (L/R)	Horizontal shift direction (source output) selection. Effective when FCS=1.										
		<table border="1"><thead><tr><th>L/R</th><th>Source output sequence and data order</th><th>Note</th></tr></thead><tbody><tr><td>1</td><td>SOUT1→SOUT2→ ...→ SOUT2400</td><td>Default</td></tr><tr><td>0</td><td>SOUT2400→SOUT2399→ ...→ SOUT1</td><td>-</td></tr></tbody></table>	L/R	Source output sequence and data order	Note	1	SOUT1→SOUT2→ ...→ SOUT2400	Default	0	SOUT2400→SOUT2399→ ...→ SOUT1	-	
		L/R	Source output sequence and data order	Note								
1	SOUT1→SOUT2→ ...→ SOUT2400	Default										
0	SOUT2400→SOUT2399→ ...→ SOUT1	-										
40	NC (U/D)	Vertical shift direction (gate output) selection. Effective when FCS=1.										
		<table border="1"><thead><tr><th>U/D</th><th>Function</th><th>Note</th></tr></thead><tbody><tr><td>1</td><td>Top→bottom</td><td>Default</td></tr><tr><td>0</td><td>Bottom→top</td><td>-</td></tr></tbody></table>	U/D	Function	Note	1	Top→bottom	Default	0	Bottom→top	-	
		U/D	Function	Note								
1	Top→bottom	Default										
0	Bottom→top	-										
41	NC	No connection										
42	NC	No connection										
43	NC	No connection										
44	RESET	Reset pin. The chip is in reset state when RESETB=0.										
45	NC	No connection										
46	NC	No connection										
47	DITHB	STBYB Standby mode setting pin. The chip is in standby mode when STBYB=0.										
48	GND	Power Ground										
49	NC	No connection										
50	NC	No connection										

2. Backlight PIN Definition

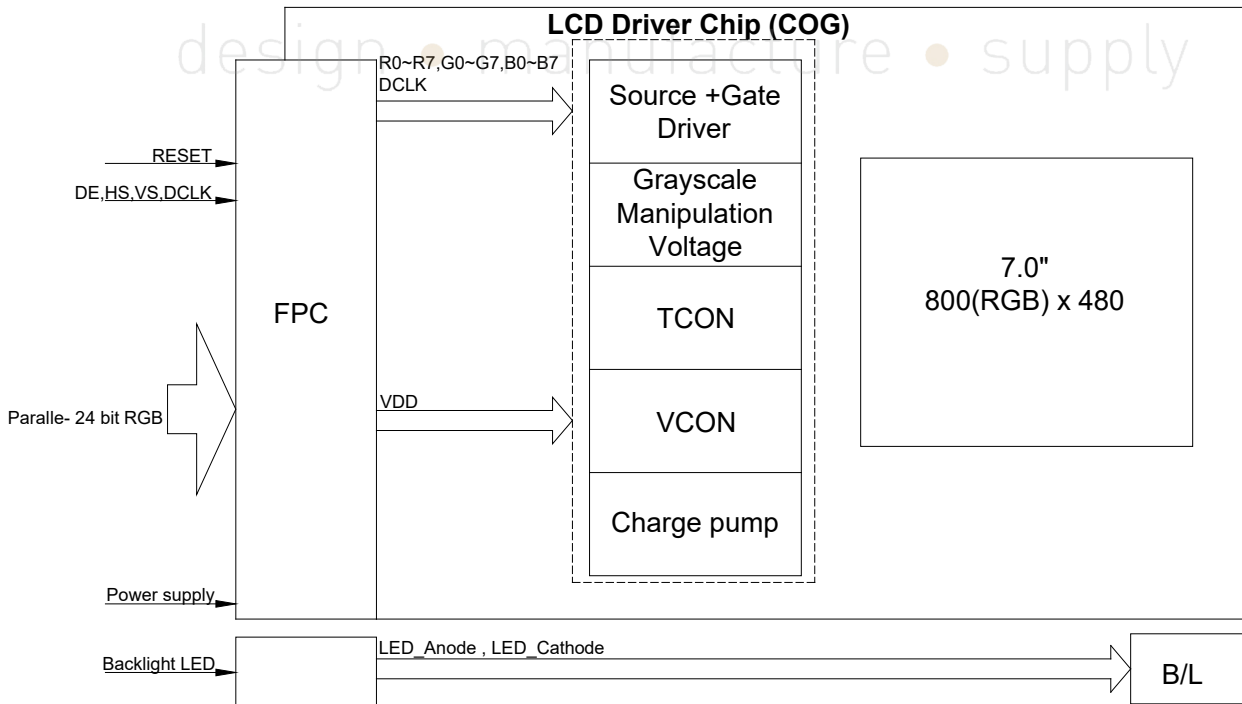
Pin	Symbol	Description
1	VLED+	Red, LED_ Anode
2	VLED-	Black, LED_ Cathode



Contour Drawing



Block Diagram



Absolute Maximum Ratings

Item	Symbol	Min	Typ	Max	Unit
Operating Temperature	TOP	-30	—	+80	°C
Storage Temperature	TST	-30	—	+80	°C

Note: Device is subject to be damaged permanently if stresses beyond those absolute maximum ratings listed above

- Temp. $\leq 60^{\circ}\text{C}$, 90% RH MAX. Temp. $> 60^{\circ}\text{C}$, Absolute humidity shall be less than 90% RH at 60°C

Electrical Characteristics

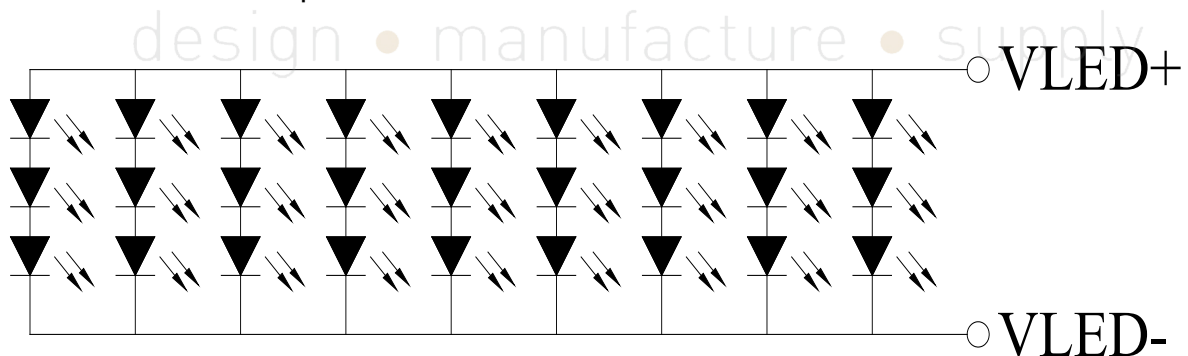
1. Operating conditions

Item	Symbol	Min	Typ	Max	Unit	Note
Supply Voltage	Vcc	2.7	3.3	3.6	V	
Current of power supply	IDD	—	101	150	mA	Vcc = 3.3V

2. LED driving conditions

Parameter	Symbol	Min	Typ	Max	Unit	Remark
LED current	—	—	360	—	mA	
LED voltage	A~K	8.1	9.3	10.2	V	Note 1
LED Life Time	—	40000	—	—	Hr	Note 2,3,4

Note 1 : There are 1 Groups LED



CIRCUIT DIAGRAM

Note 2 : $T_a = 25^{\circ}\text{C}$

Note 3 : Brightness to be decreased to 50% of the initial value

Note 4 : The single LED lamp case



DC CHARATERISTICS

Parameter	Symbol	Rating			Unit	Condition
		Min	Typ	Max		
Low level input voltage	V _{IL}	0	-	0.3VCC	V	
High level input voltage	V _{IH}	0.7VCC	-	VCC	V	

AC CHARATERISTICS

1. Parallel SYNC mode RGB input timing table

Parameter	Symbol	Values			Unit	Remark
		Min.	Typ.	Max.		
DCLK frequency	FDCLK	25.2	27.2	30.5	MHz	
Horizontal line	th	856	860	920	DCLK	
Horizontal valid data	thd	800			DCLK	
Hsync pulse width	thpw	1	2	100	DCLK	
Hsync back width	thbp	5	16	101	DCLK	
Hsync front width	thfp	19	44	115	DCLK	
Vertical valid data	tvd	480			H	
Vsync pulse width	tvpw	1	2	66	H	
Vsync back width	tvbp	5	5	67	H	
Vsync front width	tvfp	5	43	67	H	
Vertical field	tv	490	528	552	H	



2. Input Clock and Data Timing Diagram

- Horizontal

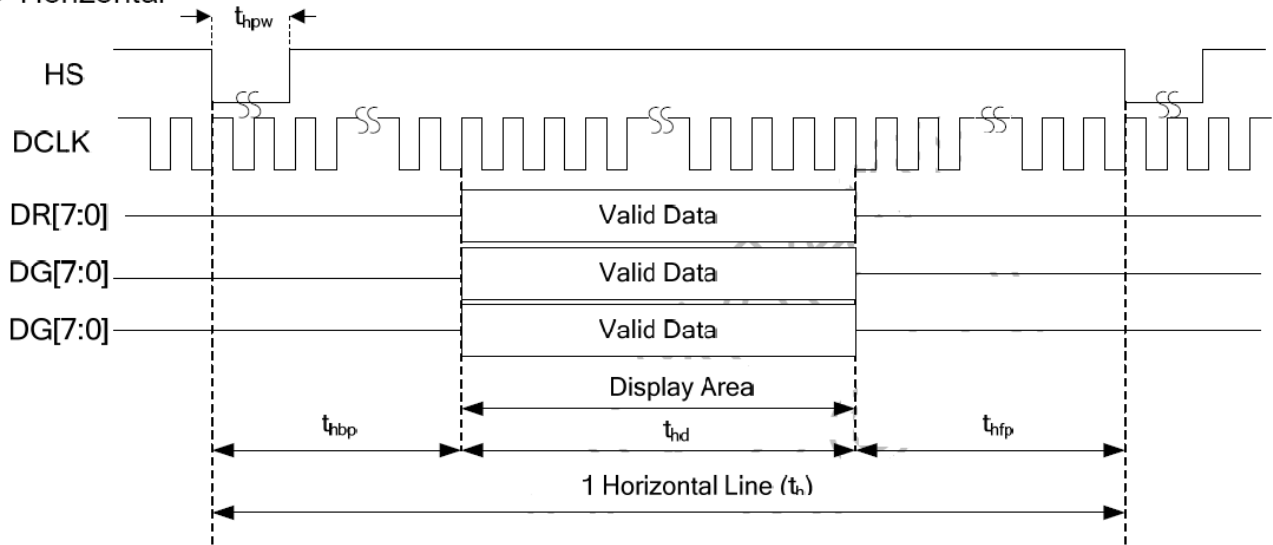


Fig1. Horizontal input Timing at Sync mode

- Vertical

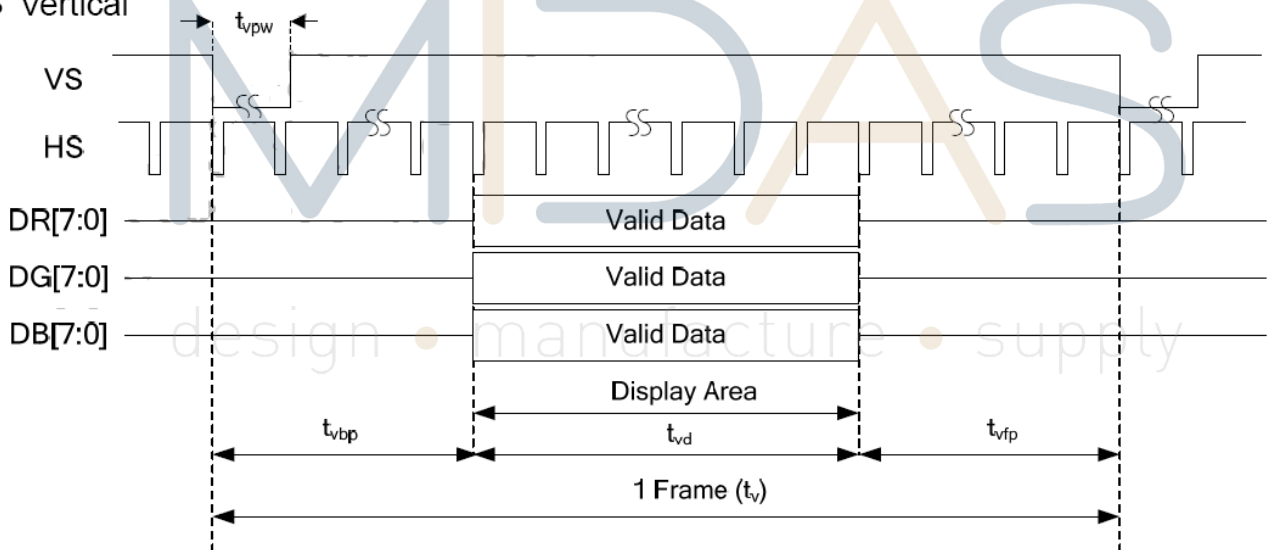


Fig.2. Vertical input Timing at Sync mode



Optical Characteristics

Item	Symbol	Condition.	Min	Typ.	Max.	Unit	Remark	
Response time	Tr+ Tf	$\theta=0^\circ$ 、 $\Phi=0^\circ$	-	25	35	ms	Note 3	
Contrast ratio	CR	At the center point of AA	800	1000	-	-	Note 4	
Color Chromaticity	White	Wx	$\theta=0^\circ$ 、 $\Phi=0^\circ$	0.26	0.31	0.36	-	Note 2,6,7
		Wy		0.28	0.33	0.38	-	
Viewing angle	Hor.	Θ_R	$CR \geq 10$	70	80	-	Deg.	Note 1
		Θ_L		70	80	-		
	Ver.	Φ_T		70	80	-		
		Φ_B		70	80	-		
Brightness	-	-	400	500	-	cd/m ²	Center of display	
Uniformity	(U)		75	-	-	%	Note5	

Ta=25±2°C , IL=360mA

Note 1: Definition of viewing angle range

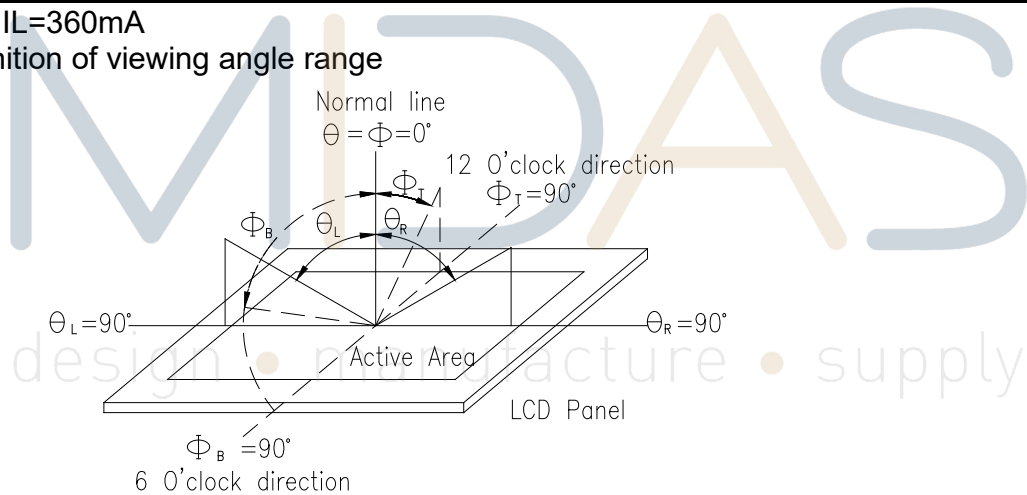


Fig 11.1. Definition of viewing angle

Note 2: Test equipment setup:

After stabilizing and leaving the panel alone at a driven temperature for 10 minutes, the measurement should be executed. Measurement should be executed in a stable, windless, and dark room. Optical specifications are measured by Topcon BM-7or BM-5 luminance meter 1.0° field of view at a distance of 50cm and normal direction.



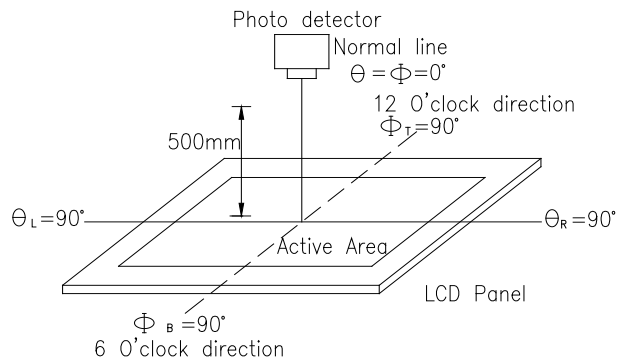
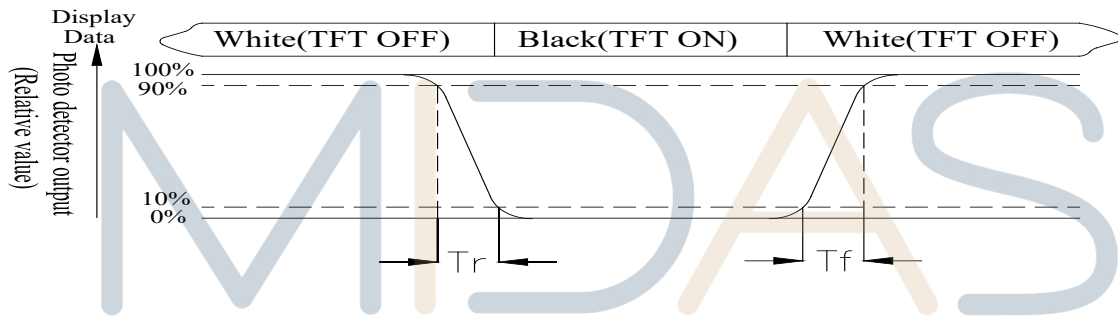


Fig 11.2. Optical measurement system setup

Note 3: Definition of Response time:

The response time is defined as the LCD optical switching time interval between “White” state and “Black” state. Rise time, T_r , is the time between photo detector output intensity changed from 90% to 10%. And fall time, T_f , is the time between photo detector output intensity changed from 10% to 90%



Note 4: Definition of contrast ratio:

The contrast ratio is defined as the following expression.

$$\text{Contrast ratio (CR)} = \frac{\text{Luminance measured when LCD on the "White" state}}{\text{Luminance measured when LCD on the "Black" state}}$$



Note 5: Definition of Luminance Uniformity

Active area is divided into 9 measuring areas (Refer Fig. 8.3). Every measuring point is placed at the center of each measuring area.

$$\text{Luminance Uniformity (U)} = L_{\min}/L_{\max} \times 100\%$$

L = Active area length

W = Active area width

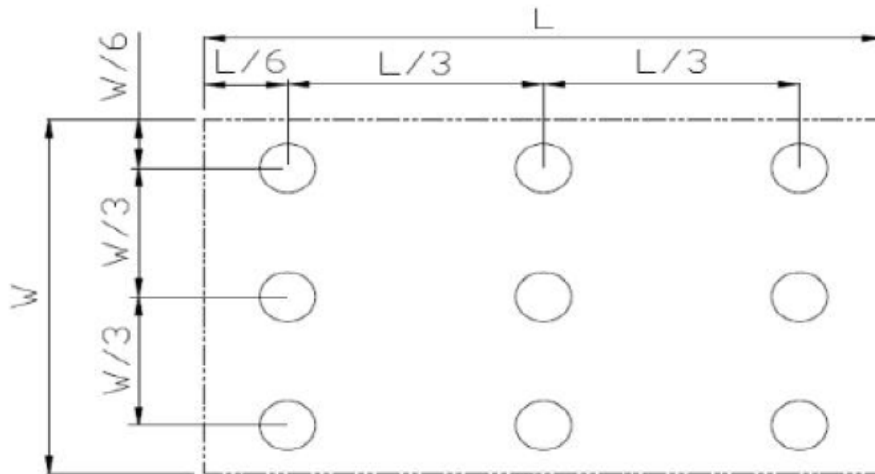


Fig 11.3. Definition of uniformit

Note 6: Definition of color chromaticity (CIE 1931)

Color coordinates measured at the center point of LCD

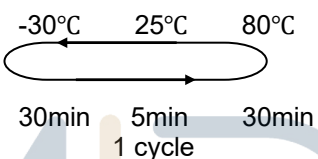
Note 7: Measured at the center area of the panel when all the input terminals of LCD panel are electrically opened.

design • manufacture • supply



Reliability

Content of Reliability Test (Super Wide temperature, -30°C~80°C)

Environmental Test			
Test Item	Content of Test	Test Condition	Note
High Temperature storage	Endurance test applying the high storage temperature for a long time.	80°C 200hrs	2
Low Temperature storage	Endurance test applying the low storage temperature for a long time.	-30°C 200hrs	1,2
High Temperature Operation	Endurance test applying the electric stress (Voltage & Current) and the thermal stress to the element for a long time.	80°C 200hrs	—
Low Temperature Operation	Endurance test applying the electric stress under low temperature for a long time.	-30°C 200hrs	1
High Temperature/ Humidity storage	The module should be allowed to stand at 60°C,90%RH max	60°C,90%RH 96hrs	1,2
Thermal shock resistance	The sample should be allowed stand the following 10 cycles of operation 	-30°C/80°C 10 cycles	—
Vibration test	Endurance test applying the vibration during transportation and using.	Total fixed amplitude : 1.5mm Vibration Frequency : 10~55Hz One cycle 60 seconds to 3 directions of X,Y,Z for Each 15 minutes	3
Static electricity test	Endurance test applying the electric stress to the terminal.	VS=±600V(contact) ,±800v(air), RS=330Ω CS=150pF 10 times	—

Note1: No dew condensation to be observed.

Note2: The function test shall be conducted after 4 hours storage at the normal Temperature and humidity after remove from the test chamber.

Note3: The packing have to including into the vibration testing.

