



Website: www.displaytech.com.hk

LCD Module

Product Specification

Product: DT035TFT & DT035TFT-TS
3.5" TFT Display Module (320RGBx240DOTS)

Contents in this document are subject to change without notice. No part of this document may be reproduced or transmitted in any form or by any means, electronic or mechanical, for any purpose, without the express written permission of Displaytech Ltd.

3 November 2011.

1. REVISION RECORD

VERSION	CHANGES	DATE
1.0	Initial revision	10 June 2011
1.1	Changed the temperature range of TS version	3 November 2011

Table of Content

1. REVISION RECORD	1
2. Introduction	3
3. General Specifications	3
4. Mechanical Drawing.....	4
5. Interface Description	6
6. Absolute Maximum Ratings	7
7. Electrical Characteristics.....	7
8. Display Controller /Power Supply Timing	7
9. Backlight specification	8
10. Optical Characteristics.....	8
11. Safety Precaution	11

2. Introduction

DT035TFT and **DT035TFT-TS** is a display module that contains a TFT display with a 240 * 320 RGB resolution. The driver used for this project is the Novatek **NT39016D** or **compatible** and can display 16.7M colors. The driver is mounted on the glass and the interconnection via FPC including components to drive the display module.

3. General Specifications

Item	Specification	Unit
LCD mode	Transmissive	---
Resolution	320(RGB)	Line
	240	Line
Diagonal Size	3.5	Inch
Overall Size	76.90	mm
	63.90	mm
Active area	70.08	mm
	52.56	mm
Optimum Viewing Direction	12 o'clock	---
Driver IC	NT39016D	---
Interface type	8-bit / 24-bit digital (RGB)	---
Colours	16.7M	---
Operation temperature range	-20~70	°C
Storage temperature range	-30~80	°C

Remarks:

- (1) Recommended mating connector: Hirose FH19SC-45S-0.5SH, FH12S-45S-0.5SH; or Molex 0512964593, 0512964594; or equivalent
- (2) Color tune may be changed slightly by temperature and driving voltage.
- (3) RoHS compliant.

Component Life Cycle

- 1) Storage Life: min. 1 Year
- 2) Operation Life (*1): min. 43 x 10³ h (24hr/day x 7days/week x 52weeks/year x 5years)
(Not include backlight)
- 3) Storage and Operation Life Times are defined for a temperature of +25°C

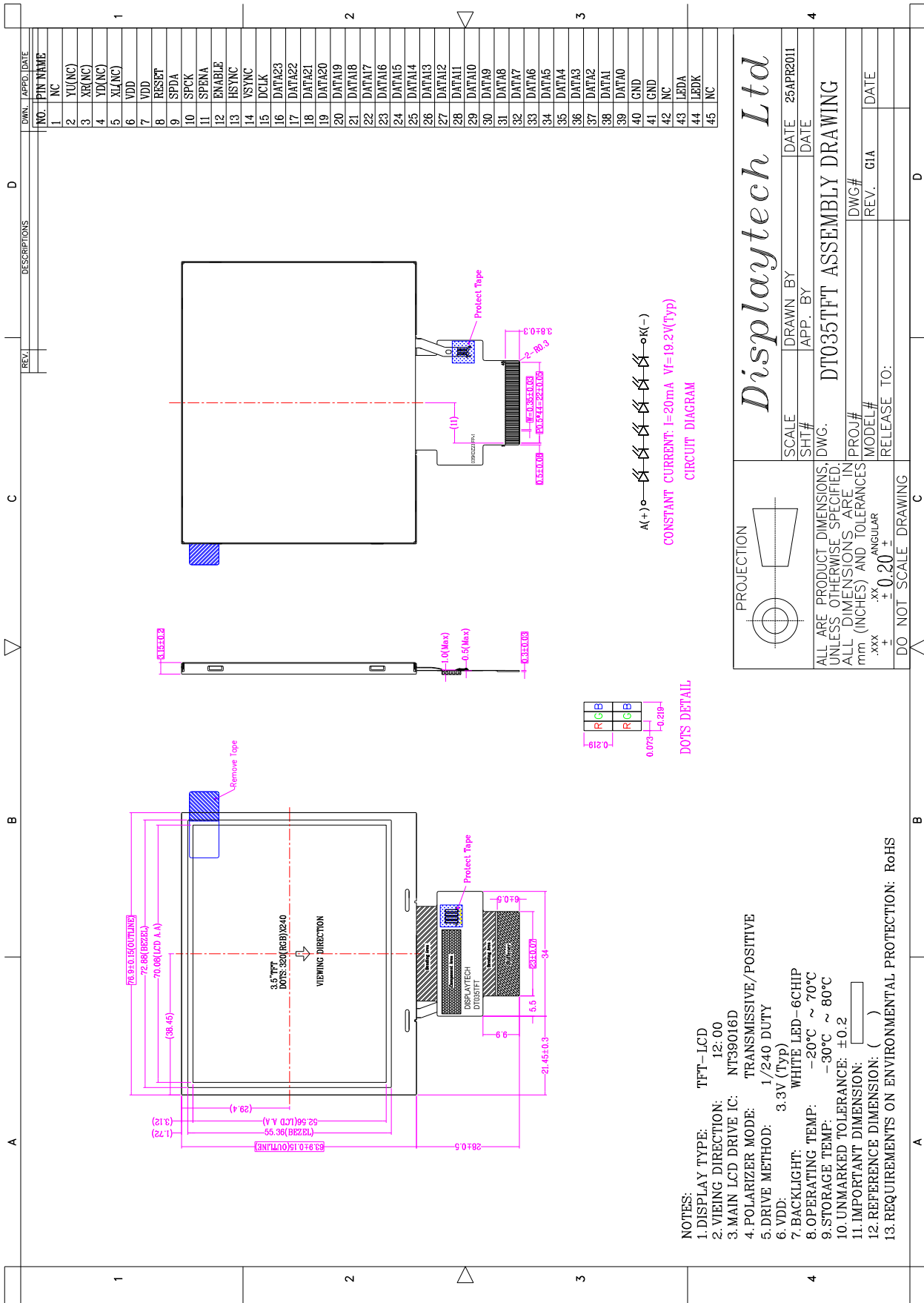
Notes:

*1. Operation life ends when one of the listed faults occurs:

- The on/off response-times reach 1.5 times of the max. value specified for a new display
- The contrast is reduced to 0.5 of the original contrast value
- Loss of function
- The number of cosmetic defects exceeds the maximum defined

4. Mechanical Drawing

• DT035TFT



Displaytech Ltd

SCALE: _____ DATE: 25APR2011
 SHT# _____ APP. BY _____
 DWG. DT035TFT ASSEMBLY DRAWING
 PROJ# _____
 MODEL# _____ REV. G1A DATE _____
 RELEASE TO: _____

PROJ. BY _____
 DATE _____

SCALE: _____ DATE: _____
 SHT# _____ APP. BY _____
 DWG. DT035TFT ASSEMBLY DRAWING
 PROJ# _____
 MODEL# _____ REV. G1A DATE _____
 RELEASE TO: _____

SCALE: _____ DATE: _____
 SHT# _____ APP. BY _____
 DWG. DT035TFT ASSEMBLY DRAWING
 PROJ# _____
 MODEL# _____ REV. G1A DATE _____
 RELEASE TO: _____

SCALE: _____ DATE: _____
 SHT# _____ APP. BY _____
 DWG. DT035TFT ASSEMBLY DRAWING
 PROJ# _____
 MODEL# _____ REV. G1A DATE _____
 RELEASE TO: _____

SCALE: _____ DATE: _____
 SHT# _____ APP. BY _____
 DWG. DT035TFT ASSEMBLY DRAWING
 PROJ# _____
 MODEL# _____ REV. G1A DATE _____
 RELEASE TO: _____

SCALE: _____ DATE: _____
 SHT# _____ APP. BY _____
 DWG. DT035TFT ASSEMBLY DRAWING
 PROJ# _____
 MODEL# _____ REV. G1A DATE _____
 RELEASE TO: _____

SCALE: _____ DATE: _____
 SHT# _____ APP. BY _____
 DWG. DT035TFT ASSEMBLY DRAWING
 PROJ# _____
 MODEL# _____ REV. G1A DATE _____
 RELEASE TO: _____

5. Interface Description

Pin no	Symbol	I/O	Description
1	NC	---	No connection
2	NC / YU	---	No connection (DT035TFT) / YU of touch screen (DT035TFT-TS)
3	NC / XR	---	No connection (DT035TFT) / XR of touch screen (DT035TFT-TS)
4	NC / YD	---	No connection (DT035TFT) / YD of touch screen (DT035TFT-TS)
5	NC / XL	---	No connection (DT035TFT) / XL of touch screen (DT035TFT-TS)
6, 7	VDD	---	Power supply 3.3V
8	RESET	I	Reset pin.
9	SPDA	I/O	3-Wire Communication Data input/output.
10	SPCK	I	3-Wire Communication Clock input. Rising edge latch.
11	SPENA	I	3-Wire Communication Enable. Active Low. Normally pull high.
12	ENABLE	I	Data Input Enable.
13	HSYNC	I	Horizontal sync input.
14	VSYNC	I	Vertical Sync input.
15	DCLK	I	Clock for Input Data.
16~39	DATA23 ~ DATA0	I	Data Input. - 8-bit mode: DATA7: MSB; DATA0: LSB; the remainder should be connect to GND. - 24-bit mode: DATA[7:0] = R[7:0] data; DATA[15:8] = G[7:0] data; DATA[23:16] = B[7:0] data. - For 18bit RGB interface, connect two LSB bits of all the R/G/B data bus to GND.
40, 41	GND	---	Power ground 0V
42	NC	---	No connection
43	LEDA	---	Backlight anode.
44	LEDK	---	Backlight cathode.
45	NC	---	No connection

6. Absolute Maximum Ratings

(Ta=25°C)

Item	Symbol	Min.	Max.	Unit
Power supply voltage	VCC	-0.5	+ 5.5	V
Logic signal input/output voltage	VDD	-0.5	+ 5.0	V
Operating Temperature	TOP	-20	+70	°C
Storage Temperature	TST	-30	+80	°C

Note:

- When temperature is below 0°C, the response time of liquid crystal (LC) will be slower and the color of panel will be darker.
- If module driving condition exceeds the absolute maximum ratings, permanent damaged may be resulted. If module is driven within the absolute maximum ratings but exceeded the DC characteristics, mal-function may be resulted.
- VDD/VCC > VSS

7. Electrical Characteristics

DC Characteristics

(Vss=0V, Ta=25°C)

Item	Symbol	Condition	Min.	Typ.	Max.	Unit
Power supply	VCC / VDD		3.135	3.3	3.465	V
Input voltage "H"	VIH	---	0.8 VDD	---	VDD	V
Input voltage "L"	VIL	---	VSS	---	0.2 VDD	V
Output voltage "H"	VOH	IOH=400uA	VDD-0.4	---	VDD	V
Output voltage "L"	VOL	IOH=-400uA	VSS	---	VSS+0.4	V

8. Display Controller /Power Supply Timing

See Display Controller Specification: **Novatek NT39016D**

9. Backlight specification

(Vcc=3.3V, Vss=0V, Ta=25°C)

Item	Symbol	Condition	Min	Typ	Max	Unit	Note
Supply voltage	Vf	If=20mA	18.0	19.2	20.4	V	1
Forward current	If		---	---	20	mA	2
Uniformity	ΔBp	If=20mA	70	---	---	%	
Color coordination	X		0.275	---	0.315	---	
	Y		0.275	---	0.315	---	

LED circuit diagram:



Constant current If=20mA; Vf=19.2V(typ)

Note:

- 1) The LED's driver mode needs to be constant current mode.
- 2) Permanent damage to the device may occur if maximum values are exceeded. Functional operation should be restricted to the conditions described under normal operating conditions.

10. Optical Characteristics

(Vcc=3.3V, Vss=0V, Ta=25°C)

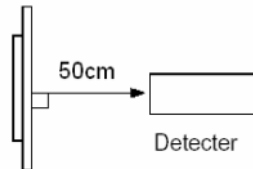
Item	Symbol	Condition	Min	Typ	Max	Unit	Note
Brightness	Bp	θ=0°	220	---	---	cd/m ²	1
Uniformity	ΔBp	Φ=0°	70	---	---	%	1, 2
Viewing Angle	θ1 (Φ=90° or 270°)	Cr≥10	-50 ~ 45			deg	3
	θ2 (Φ=0° or 180°)		-60 ~ 60				
Contrast ratio	Cr	θ=0°	---	400	---	---	4
Response Time	Tr	Φ=0°	---	20	30	ms	5
	Tf						
CIE (x,y) Chromaticity	White	x	0.231	0.281	0.331	---	1, 6
		y	0.266	0.316	0.366		
	Red	x	0.531	0.581	0.631		
		y	0.264	0.314	0.364		
	Green	x	0.284	0.334	0.384		
		y	0.536	0.586	0.636		
	Blue	x	0.097	0.147	0.197		
		y	0.052	0.102	0.152		
NTSC Ratio	S		---	50	---	%	

Note 1: The data are measured after LEDs are turned on for 5 minutes. LCM displays full white.
The brightness is the average value of 9 measured spots. Measurement equipment PR-705 (Φ8mm)

Measuring condition:

- Measuring surroundings: Dark room.
- Measuring temperature: Ta=25°C.
- Adjust operating voltage to get optimum contrast at the center of the display.

Measured value at the center point of LCD panel after more than 5 minutes while backlight turning on.

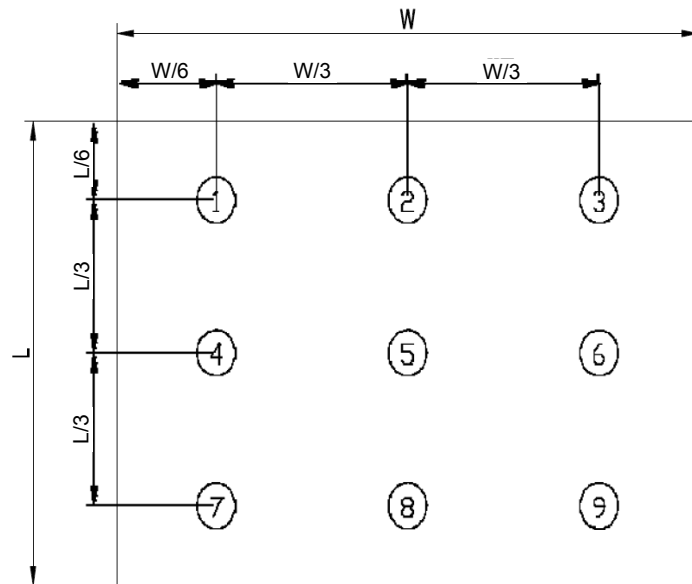


Note 2: The luminance uniformity is calculated by using following formula.

$$\Delta Bp = Bp (\text{Min.}) / Bp (\text{Max.}) \times 100 (\%)$$

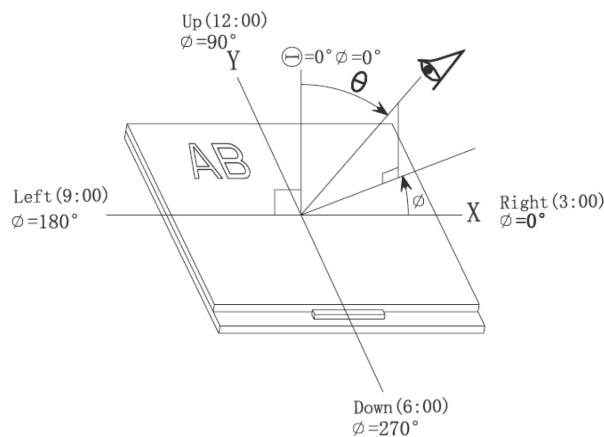
Bp (Max.) = Maximum brightness in 9 measured spots

Bp (Min.) = Minimum brightness in 9 measured spots.



Measurement equipment PR-705 (Φ8mm)

Note 3: The definition of viewing angle:
Refer to the graph below marked by θ and Φ



Note 4: The definition of contrast ratio (Test LCM using PR-705):

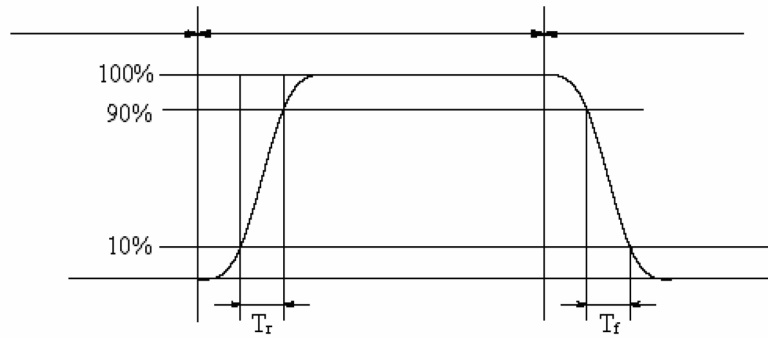
$$\text{Contrast Ratio (CR)} = \frac{\text{Luminance When LCD is at "White" state}}{\text{Luminance When LCD is at "Black" state}}$$

(Contrast Ratio is measured in optimum common electrode voltage)

Note 5: Definition of Response time. (Test LCD using DMS501):

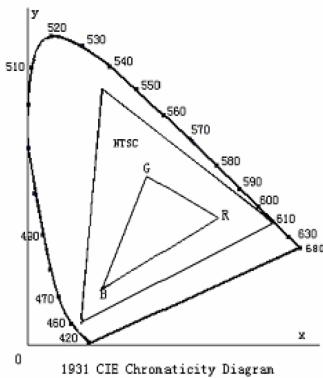
The output signals of photo detector are measured when the input signals are changed from "black" to "white" (falling time) and from "white" to "black" (rising time), respectively.

The response time is defined as the time interval between the 10% and 90% of amplitudes. Refer to figure as below.



The definition of response time

Note 6: Definition of Color of CIE Coordinate and NTSC Ratio.



Color gamut:

$$S = \frac{\text{area of RGB triangle}}{\text{area of NTSC triangle}} \times 100\%$$

11. Safety Precaution

Handling precautions:

- This device is susceptible to Electro-Static Discharge (ESD) damage. Observe Anti-Static precautions.

Power supply precautions:

- Identify and, at all times, observe absolute maximum ratings for both logic and LC drivers. Note that there is some variance between models.
- Prevent the application of reverse polarity to VCC and GND, however briefly.
- Use a clean power source free from transients. Power up conditions are occasionally “jolting” and may exceed the maximum ratings of the modules.
- The VCC power of the module should also supply the power to all devices that may access the display. Don't allow the data bus to be driven when the logic supply to the module is turned off.

Operating precautions:

- DO NOT plug or unplug the module when the system is powered up.
- Minimize the cable length between the module and host MPU.
- Operate the module within the limits of the modules temperature specifications.

Mechanical/Environmental precautions:

- Improper soldering is the major cause of module difficulty. Use of flux cleaner is not recommended as they may seep under the elastomeric connection and cause display failure.
- Mount the module so that it is free from torque and mechanical stress.
- Surface of the LCD panel should not be touched or scratched. The display front surface is an easily scratched, plastic polarizer. Avoid contact and clean only when necessary with soft, absorbent cotton dampened with petroleum benzene.
- Always employ anti-static procedure while handling the module.
- Prevent moisture build-up upon the module and observe the environmental constraints for storage temperature and humidity.
- Do not store in direct sunlight
- If leakage of the liquid crystal material should occur, avoid contact with this material, particularly ingestion. If the body or clothing becomes contaminated by the liquid crystal material, wash thoroughly with water and soap