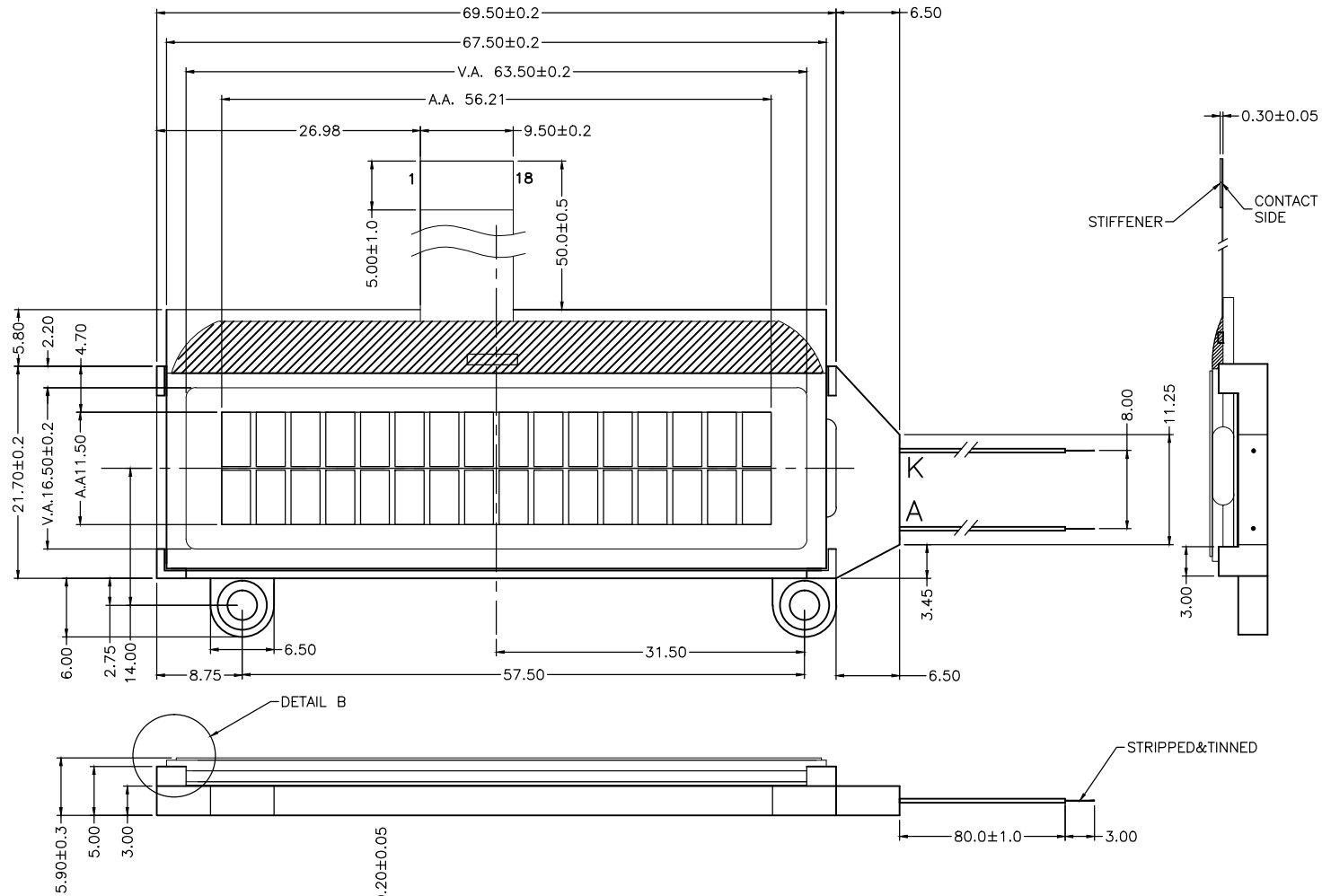
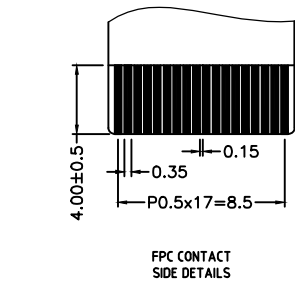
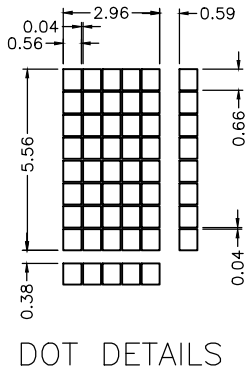
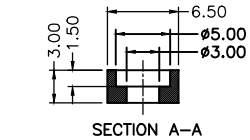




Intelligent Display Solutions, Unit 2, Berkshire Business Centre, Berkshire Drive, Thatcham, Berkshire, RG19 4EW Telephone : +44 (0)1635 294600
 Fax : +44 (0)1635 869200 Email: info@i-lcd.com www.i-lcd.com
 A division of Intelligent Group Solutions Ltd

REV	Description	Date
A00	First Issue	2015-MAY-20

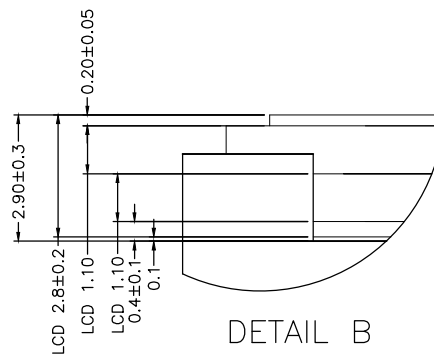


PIN ASSIGNMENT:

1	RSTB
2	A0
3	CSB
4	RW
5	E
6	DB0
7	DB1
8	DB2
9	DB3
10	DB4
11	DB5
12	DB6
13	DB7
14	VSS
15	VDD
16	VG
17	V0
18	XV0
A	LED+
K	LED-

SPECIFICATIONS:

- 1) FSTN/+VE/B&W/TRANSFLECTIVE MODE
- 2) 1/16 DUTY, 1/5 BIAS, VLCD=4.5V
- 3) VIEWING ANGLE=12 O'CLOCK
- 4) OP.TEMP.= -20 °C TO °C+70
ST.TEMP.= -30 °C TO °C+80
- 5) WITH AMBER LED BACKLIGHT, 3.3V@15mA
- 6) DRIVER: ST7032S, VDD=2.7 ~ 3.45V



Description: MECHANICAL SPECIFICATIONS	
Scale:	
Sheet : 1 of 1	
Unspecified Tol. ±0.3	Unit mm
Approvals	Date
Draw:	Project Number
Check:	CI064-4001-27
Approve:	Do Not Scale This Drawing
Item Number	
Projection	