

# Universal module - UM-2KS50/UNI/CS/Z/SO180 - 2311399

Please be informed that the data shown in this PDF Document is generated from our Online Catalog. Please find the complete data in the user's documentation. Our General Terms of Use for Downloads are valid (<http://phoenixcontact.com/download>)




Universal module for connection with up to 32 channel digital Yokogawa cards, 1:1 connection of the Yokogawa system connector on spring-cage connection.

The figure shows a version with a screw connection



## Key commercial data

Packing unit	1
GTIN	 4 046356 317764
Custom tariff number	85369010

## Technical data

### Dimensions

Width	140 mm
Height	126 mm
Depth	65 mm

### Ambient conditions

Ambient temperature (operation)	-20 °C ... 50 °C
Ambient temperature (storage/transport)	-20 °C ... 70 °C

### General

Max. permissible operating voltage	24 V DC ±10 %
Max. perm. current (per branch)	100 mA
Mounting position	any
Standards/regulations	DIN EN 50178
Rated surge voltage	0.5 kV
Pollution degree	2
Surge voltage category	II

### Connection data for connection 1

Connection name	Field level
-----------------	-------------

# Universal module - UM-2KS50/UNI/CS/Z/SO180 - 2311399

## Technical data

### Connection data for connection 1

Connection method	Spring-cage connection
Number of positions	32
Conductor cross section solid min.	0.2 mm <sup>2</sup>
Conductor cross section solid max.	2.5 mm <sup>2</sup>
Conductor cross section stranded min.	0.2 mm <sup>2</sup>
Conductor cross section stranded max.	1.5 mm <sup>2</sup>
Conductor cross section AWG/kcmil min.	24
Conductor cross section AWG/kcmil max	14

### Connection data for connection 2

Connection name	Controller level
Connection method	Yokogawa KS-compatible
Number of positions	50

### Supported controller

Controller	YOKOGAWA CENTUM CS3000R3
- suitable I/O card	ADV151
	ADV161
	ADV551
	ADV561
Controller	YOKOGAWA STARDOM
- suitable I/O card	NFDV151
	NFDV161
	NFDV551
	NFDV561

## Classifications

### eCl@ss

eCl@ss 4.0	27250313
eCl@ss 4.1	27250313
eCl@ss 5.0	27250313
eCl@ss 5.1	27250313
eCl@ss 6.0	27069203
eCl@ss 7.0	27069203

### ETIM

ETIM 2.0	EC001434
ETIM 3.0	EC001604
ETIM 4.0	EC001437
ETIM 5.0	EC001437

# Universal module - UM-2KS50/UNI/CS/Z/SO180 - 2311399

## Classifications

### UNSPSC

UNSPSC 6.01	30211824
UNSPSC 7.0901	39121421
UNSPSC 11	39121421
UNSPSC 12.01	39121421
UNSPSC 13.2	39121421

## Accessories

### Accessories

#### System cable

Cable - FLK 50-PA/EZ-DR/KS/ 100/YUC - 2900991



Assembled round cable with two molded 50-pos. socket strips (1:1 connection). Cable length: 1.0 m.

Cable - FLK 50-PA/EZ-DR/KS/ 200/YUC - 2314299



Round cable set, with two 50-pos. molded socket strips (1:1 connection). Length of cable: 2.0 m

Cable - FLK 50-PA/EZ-DR/KS/ 300/YUC - 2314309



Round cable set, with two 50-pos. molded socket strips (1:1 connection). Length of cable: 3.0 m

Cable - FLK 50-PA/EZ-DR/KS/ 400/YUC - 2314312



Round cable set, with two 50-pos. molded socket strips (1:1 connection). Length of cable: 4.0 m

## Universal module - UM-2KS50/UNI/CS/Z/SO180 - 2311399

### Accessories

Cable - FLK 50-PA/EZ-DR/KS/ 500/YUC - 2321499



Assembled round cable with two molded 50-pos. socket strips (1:1 connection). Cable length: 5.0 m

---

Cable - FLK 50-PA/EZ-DR/KS/ 600/YUC - 2314927



Assembled round cable with two molded 50-pos. socket strips (1:1 connection). Cable length: 6.0 m

---

Cable - FLK 50-PA/EZ-DR/KS/ 700/YUC - 2321509



Assembled round cable with two molded 50-pos. socket strips (1:1 connection). Cable length: 7.0 m

---

Cable - FLK 50-PA/EZ-DR/KS/ 800/YUC - 2314930



Assembled round cable with two molded 50-pos. socket strips (1:1 connection). Cable length: 8.0 m

---

Cable - FLK 50-PA/EZ-DR/KS/ 900/YUC - 2321512



Assembled round cable with two molded 50-pos. socket strips (1:1 connection). Cable length: 9.0 m

---

## Universal module - UM-2KS50/UNI/CS/Z/SO180 - 2311399

### Accessories

Cable - FLK 50-PA/EZ-DR/KS/1000/YUC - 2314325



Round cable set, with two 50-pos. molded socket strips (1:1 connection). Length of cable: 10.0 m

---

Cable - FLK 50-PA/EZ-DR/KS/1100/YUC - 2321389



Assembled round cable with two molded 50-pos. socket strips (1:1 connection). Cable length: 11.0 m

---

Cable - FLK 50-PA/EZ-DR/KS/1200/YUC - 2321525



Assembled round cable with two molded 50-pos. socket strips (1:1 connection). Cable length: 12.0 m

---

Cable - FLK 50-PA/EZ-DR/KS/1300/YUC - 2321392



Assembled round cable with two molded 50-pos. socket strips (1:1 connection). Cable length: 13.0 m

---

Cable - FLK 50-PA/EZ-DR/KS/1400/YUC - 2321402



Assembled round cable with two molded 50-pos. socket strips (1:1 connection). Cable length: 14.0 m

---

## Universal module - UM-2KS50/UNI/CS/Z/SO180 - 2311399

### Accessories

Cable - FLK 50-PA/EZ-DR/KS/1500/YUC - 2314338



Round cable set, with two 50-pos. molded socket strips (1:1 connection). Length of cable: 15.0 m

---

Cable - FLK 50-PA/EZ-DR/KS/1600/YUC - 2321538



Assembled round cable with two molded 50-pos. socket strips (1:1 connection). Cable length: 16.0 m

---

Cable - FLK 50-PA/EZ-DR/KS/1700/YUC - 2321541



Assembled round cable with two molded 50-pos. socket strips (1:1 connection). Cable length: 17.0 m

---

Cable - FLK 50-PA/EZ-DR/KS/1800/YUC - 2321554



Assembled round cable with two molded 50-pos. socket strips (1:1 connection). Cable length: 18.0 m

---

Cable - FLK 50-PA/EZ-DR/KS/1900/YUC - 2321567



Assembled round cable with two molded 50-pos. socket strips (1:1 connection). Cable length: 19.0 m

---

## Universal module - UM-2KS50/UNI/CS/Z/SO180 - 2311399

### Accessories

Cable - FLK 50-PA/EZ-DR/KS/2000/YUC - 2314503



Round cable set, with two 50-pos. molded socket strips (1:1 connection). Length of cable: 20.0 m

---

Cable - FLK 50-PA/EZ-DR/KS/2500/YUC - 2314516



Round cable set, with two 50-pos. molded socket strips (1:1 connection). Length of cable: 25.0 m

---

Cable - FLK 50-PA/EZ-DR/KS/3000/YUC - 2314529



Round cable set, with two 50-pos. molded socket strips (1:1 connection). Length of cable: 30.0 m

---

Cable - FLK 50-PA/EZ-DR/KS/5000/YUC - 2318981



Assembled round cable with two molded 50-pos. socket strips (1:1 connection). Cable length: 50.0 m

---

Cable - FLK-MIL50/EZ-DR/KS/ 200/YCS - 2314590



Assembled round cable with two 50-pos. socket strips (1:1 connection). The connector for module side is molded. The cable is suitable for the ADV561 and ADV161 boards. Cable length: 2.0 m

---

## Universal module - UM-2KS50/UNI/CS/Z/SO180 - 2311399

### Accessories

#### Cable - FLK-MIL50/EZ-DR/KS/ 300/YCS - 2314781



Assembled round cable with two 50-pos. socket strips (1:1 connection). The connector for module side is molded. The cable is suitable for the ADV561 and ADV161 boards.  
Cable length: 3.0 m

---

#### Cable - FLK-MIL50/EZ-DR/KS/ 400/YCS - 2314794



Assembled round cable with two 50-pos. socket strips (1:1 connection). The connector for module side is molded. The cable is suitable for the ADV561 and ADV161 boards.  
Cable length: 4.0 m

---

#### Cable - FLK-MIL50/EZ-DR/KS/1000/YCS - 2314804



Assembled round cable with two 50-pos. socket strips (1:1 connection). The connector for module side is molded. The cable is suitable for the ADV561 and ADV161 boards.  
Cable length: 10.0 m

---

#### Cable - FLK-MIL50/EZ-DR/KS/1500/YCS - 2314817



Assembled round cable with two 50-pos. socket strips (1:1 connection). The connector for module side is molded. The cable is suitable for the ADV561 and ADV161 boards.  
Cable length: 15.0 m

---

#### Cable - FLK-MIL50/EZ-DR/KS/2000/YCS - 2314820



Assembled round cable with two 50-pos. socket strips (1:1 connection). The connector for module side is molded. The cable is suitable for the ADV561 and ADV161 boards.  
Cable length: 20.0 m

---



## Universal module - UM-2KS50/UNI/CS/Z/SO180 - 2311399

### Accessories

#### Cable - FLK-MIL50/EZ-DR/KS/3000/YCS - 2901018



Assembled round cable with two 50-pos. socket strips (1:1 connection). The connector on the module side is molded. The cable is suitable for ADV561 and ADV161 cards. Cable length: 30.0 m

---

#### Cable - FLK-MIL50/EZ-DR/KS/3500/YCS - 2901019



Assembled round cable with two 50-pos. socket strips (1:1 connection). The connector on the module side is molded. The cable is suitable for ADV561 and ADV161 cards. Cable length: 35.0 m

---

#### Cable - FLK-MIL50/EZ-DR/KS/4000/YCS - 2901020



Assembled round cable with two 50-pos. socket strips (1:1 connection). The connector on the module side is molded. The cable is suitable for ADV561 and ADV161 cards. Cable length: 40.0 m

---

#### Cable - FLK-MIL50/EZ-DR/KS/8000/YCS - 2321868



Assembled round cable with two 50-pos. socket strips (1:1 connection). The connector on the module side is molded. The cable is suitable for ADV561 and ADV161 cards. Cable length: 80.0 m

---

#### Cable - FLK 50-PA/EZ-DR/HF/KS/ 100/YUC - 2904739



Assembled halogen-free round cable with two molded 50-pos. socket strips (1:1 connection). Cable length: 1 m

## Universal module - UM-2KS50/UNI/CS/Z/SO180 - 2311399

### Accessories

Cable - FLK 50-PA/EZ-DR/HF/KS/ 200/YUC - 2904740



Assembled halogen-free round cable with two molded 50-pos. socket strips (1:1 connection). Cable length: 2 m

---

Cable - FLK 50-PA/EZ-DR/HF/KS/ 300/YUC - 2904741



Assembled halogen-free round cable with two molded 50-pos. socket strips (1:1 connection). Cable length: 3 m

---

Cable - FLK 50-PA/EZ-DR/HF/KS/ 400/YUC - 2904742



Assembled halogen-free round cable with two molded 50-pos. socket strips (1:1 connection). Cable length: 4 m

---

Cable - FLK 50-PA/EZ-DR/HF/KS/ 500/YUC - 2904636



Assembled halogen-free round cable with two molded 50-pos. socket strips (1:1 connection). Cable length: 5 m

---

Cable - FLK 50-PA/EZ-DR/HF/KS/ 600/YUC - 2904743



Assembled halogen-free round cable with two molded 50-pos. socket strips (1:1 connection). Cable length: 60 m

---

## Universal module - UM-2KS50/UNI/CS/Z/SO180 - 2311399

### Accessories

Cable - FLK 50-PA/EZ-DR/HF/KS/ 700/YUC - 2904744



Assembled halogen-free round cable with two molded 50-pos. socket strips (1:1 connection). Cable length: 7 m

---

Cable - FLK 50-PA/EZ-DR/HF/KS/ 800/YUC - 2904745



Assembled halogen-free round cable with two molded 50-pos. socket strips (1:1 connection). Cable length: 8 m

---

Cable - FLK 50-PA/EZ-DR/HF/KS/ 900/YUC - 2904746



Assembled halogen-free round cable with two molded 50-pos. socket strips (1:1 connection). Cable length: 9 m

---

Cable - FLK 50-PA/EZ-DR/HF/KS/1000/YUC - 2904637



Assembled halogen-free round cable with two molded 50-pos. socket strips (1:1 connection). Cable length: 10 m

---

Cable - FLK 50-PA/EZ-DR/HF/KS/1500/YUC - 2904638



Assembled halogen-free round cable with two molded 50-pos. socket strips (1:1 connection). Cable length: 15 m

---

## Universal module - UM-2KS50/UNI/CS/Z/SO180 - 2311399

### Accessories

Cable - FLK 50-PA/EZ-DR/HF/KS/2000/YUC - 2904487



Assembled halogen-free round cable with two molded 50-pos. socket strips (1:1 connection). Cable length: 20 m

---

Cable - FLK 50-PA/EZ-DR/HF/KS/2500/YUC - 2904639



Assembled halogen-free round cable with two molded 50-pos. socket strips (1:1 connection). Cable length: 25 m

---

Cable - FLK 50-PA/EZ-DR/HF/KS/3000/YUC - 2904640



Assembled halogen-free round cable with two molded 50-pos. socket strips (1:1 connection). Cable length: 30 m

---

Cable - FLK 50-PA/EZ-DR/HF/KS/3500/YUC - 2904641



Assembled halogen-free round cable with two molded 50-pos. socket strips (1:1 connection). Cable length: 35 m

---

Cable - FLK 50-PA/EZ-DR/HF/KS/4000/YUC - 2904642



Assembled halogen-free round cable with two molded 50-pos. socket strips (1:1 connection). Cable length: 40 m

---

# Universal module - UM-2KS50/UNI/CS/Z/SO180 - 2311399

## Accessories

Cable - FLK 50-PA/EZ-DR/HF/KS/4500/YUC - 2904643



Assembled halogen-free round cable with two molded 50-pos. socket strips (1:1 connection). Cable length: 45 m

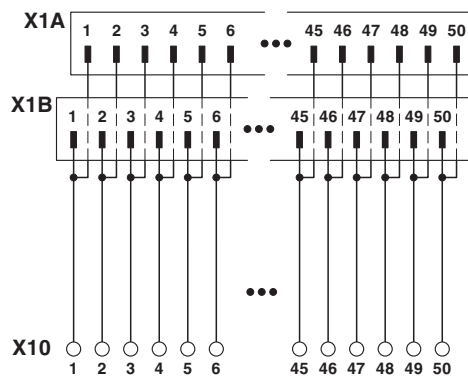
Cable - FLK 50-PA/EZ-DR/HF/KS/5000/YUC - 2904644



Assembled halogen-free round cable with two molded 50-pos. socket strips (1:1 connection). Cable length: 50 m

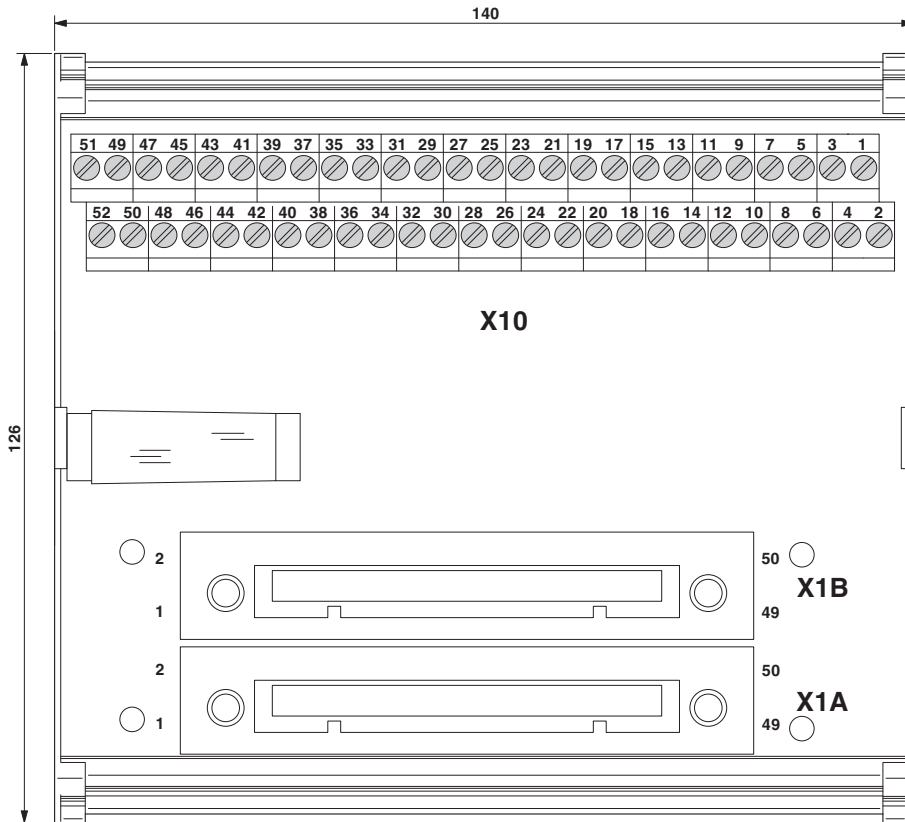
## Drawings

Circuit diagram



# Universal module - UM-2KS50/UNI/CS/Z/SO180 - 2311399

Dimensioned drawing



The figure shows a version with a screw connection