

A.D.O. wire size 1 to 2.5 mm² (16 to 14 AWG)

D 2,5/8.ADO

One or two wires.

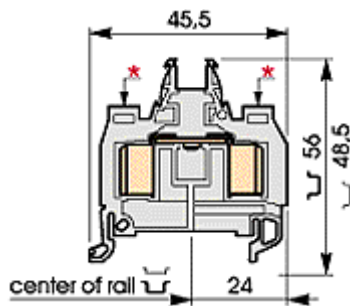
For multiple wire connection, the wires (2 max.) must be of the **same gage and nature** (solid or stranded).



Terminal block body material is UL 94 V0.

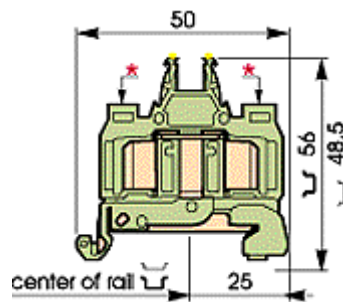
D 2,5/8.ADO

Spacing 8 mm (.315")



D 2,5/8.P.ADO

Spacing 8 mm (.315")



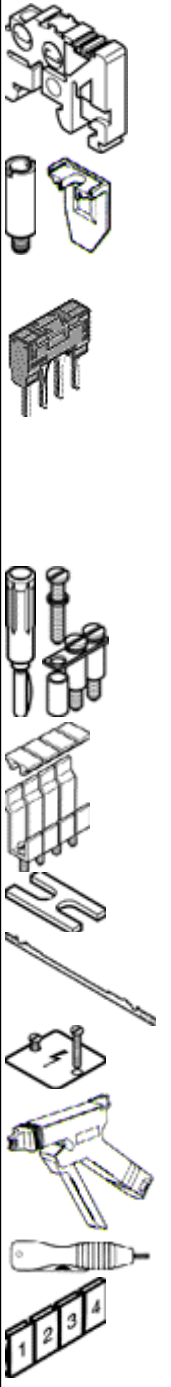
Terminal block for ground wire with or without rail contact

[View correct mounting of ground block on rail](#)

		TYPE	P/N	
Standard blocks	Grey body	D 2,5/8.ADO	199 059.06	
	Blue body	D 2,5/8.N.ADO	199 061.20	
	Yellow body	D 2,5/8.ADO	199 092.10	
	Orange body	D 2,5/8.ADO	199 060.03	
	Green body	D 2,5/8.ADO	199 148.04	
	Red body	D 2,5/8.ADO	199 087.13	
	Black body	D 2,5/8.ADO	199 089.25	
	Ivory body	D 2,5/8.ADO	199 088.24	
Terminal blocks for ground wires	Marking yellow+green body (with rail contact)	D 2,5/8.P.ADO	199 091.17	
	Marking green+yellow body (without rail contact)	D 2,5/8.PI.ADO	199 062.21	
Characteristics		IEC NFC VDE	UL	CSA

Wire size mm ² / AWG	A.D.O.	Solid wire	1 to 2.5	16 to 14 AWG	16 to 14 AWG
		Stranded wire	1 to 2.5		
Rated voltage	V	800	600	600	600
Rated current	A	24(3)	25	25	25
Rated wire size	mm ² / AWG	2.5 mm ²	14 AWG	14 AWG	14 AWG

Other models available for specific applications. Consult our printed catalog for full line offering.

Accessories		Type		P/N	
	End stop (all rails)	BADL	th. 9	199 408.02	
	End section	grey	FEMAD3	th. 3	199 341.05
		yellow	FEMAD3	th. 3	199 343.07
	Circuit separator	grey	SCAD*		196 896.00
	Test socket	DIA. 2 mm	AL2(1)*		163 043.21
		DIA. 3 mm	AL3(1)*		163 261.00
	Screwless jumper bar	2 poles	BJE8.2*		299 712.05
		3 poles	BJE8.3*		299 713.06
		4 poles	BJE8.4*		299 714.07
		5 poles	BJE8.5*		299 715.00
		6 poles	BJE8.6*		299 716.01
		7 poles	BJE8.7*		299 717.02
		8 poles	BJE8.8*		299 718.13
		9 poles	BJE8.9*		299 719.14
		10 poles	BJE8.10*		299 720.11
		BJE Extension		BJB	
	Jumper bar not preassembled		BJS8*	15 poles	174 788.04
			BJS8*	20 poles	174 789.05
	Post+screw+washer		EV6*		168 604.16
Pivoting jumper bar		BJP8*		174 448.07	
Connector plate		EL6*		173 627.21	
Protection label		EP6*	3 blocks	163 427.17	
		EP8	4 blocks	163 428.20	
Screw for protection label		VSP6*		163 433.15	
Manual tool		OUMAD*		179 466.06	
Semi-automatic tool		OUPAD*		178 944.04	
Markers		RC810 - RTM7			
See accessories section.					

*These accessories are not mounted on a D 2,5/8.P.ADO block

(1) A circuit separator SCAD is required to conserve rated voltage with these accessories.

(2) Short-circuit current for D 1,5/6.P... .ADO: 180A/1s.