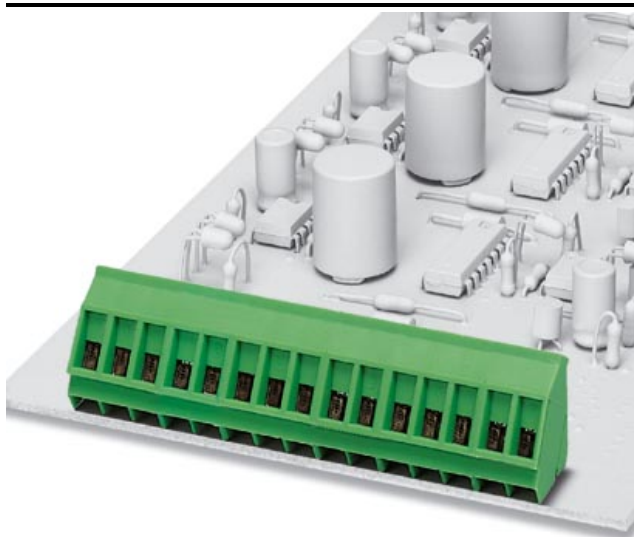


Please note that the data given here has been taken from the online catalog. For comprehensive information and data, please refer to the user documentation at <http://www.download.phoenixcontact.com>. The General Terms and Conditions of Use apply to Internet downloads.

► Extract from the online catalog



Printed circuit terminal block, nominal current: 24 A, rated voltage: 250 V, pitch: 5.08 mm, no. of positions: 2, mounting: Soldering, type of connection: Screw connection, connection direction from the conductor to the PCB: 35°

The illustration shows a combination as a 15-position version

Order No.	1713723
Ord designation	SMKDS 3/ 2-5,08
EAN	4017918023973
Pack	50 Pcs.
Customs tariff	85369010
Catalog page information	Page 33 (CC-2005)

► Product notes

WEEE/RoHS-compliant since: 01/01/2003



► Technical data

Dimensions / positions

Pitch	5.08 mm
Dimension a	5.08 mm
Number of positions	2
Pin dimensions	0,9 x 0,9 mm
Hole diameter	1.3 mm
Screw thread	M 3
Tightening torque, min	0.5 Nm

Technical data

Insulating material group	I
Rated surge voltage (III/3)	4 kV
Rated surge voltage (III/2)	4 kV
Rated surge voltage (II/2)	4 kV
Rated voltage (III/2)	320 V
Rated voltage (II/2)	630 V
Connection in acc. with standard	EN-VDE
Nominal current I_N	24 A
Nominal voltage U_N	250 V
Nominal cross section	2.5 mm ²
Maximum load current	28 A (with 4 mm ² conductor cross section)
Insulating material	PA
Inflammability class acc. to UL 94	V2
Internal cylindrical gage	A3
Stripping length	8 mm

Connection data

Conductor cross section, rigid min.	0.2 mm ²
Conductor cross section, rigid max.	4 mm ²
Conductor cross section flexible min.	0.2 mm ²
Conductor cross section, flexible max.	2.5 mm ²
Conductor cross section flexible, with ferrule without plastic sleeve min.	0.25 mm ²
Conductor cross section flexible, with ferrule without plastic sleeve max.	2.5 mm ²
Conductor cross section flexible, with ferrule with plastic sleeve min.	0.25 mm ²
Conductor cross section flexible, with ferrule with plastic sleeve max.	2.5 mm ²
Conductor cross section AWG/kcmil min.	24
Conductor cross section AWG/kcmil max	12
2 conductors with same cross section, solid min.	0.2 mm ²
2 conductors with same cross section, solid max.	1.5 mm ²
2 conductors with same cross section, flexible, min.	0.2 mm ²
2 conductors with same cross section, flexible max.	1.5 mm ²
2 conductors with same cross section, flexible, ferrules without plastic sleeve min.	0.25 mm ²
2 conductors with same cross section, flexible, ferrules without plastic sleeve, max.	0.75 mm ²
2 conductors with same cross section, flexible, TWIN ferrules with plastic sleeve, min.	0.5 mm ²
2 conductors with identical cross section, flexible TWIN ferrules with plastic sleeve, max.	1.5 mm ²

► Certificates

Certificate logos



CSA

Nominal voltage U_N	300 V
Nominal current I_N	10 A
AWG/kcmil	28-12

CUL

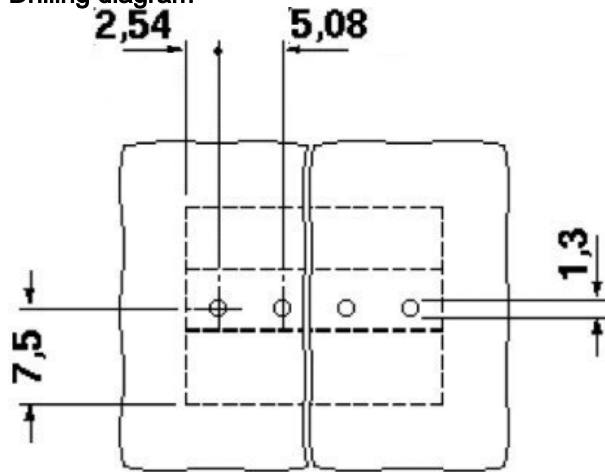
Nominal voltage U_N	300 V
Nominal current I_N	10 A
AWG/kcmil	30-12
Nominal voltage U_N	250 V
Nominal current I_N	15 A
AWG/kcmil	30-12

UL

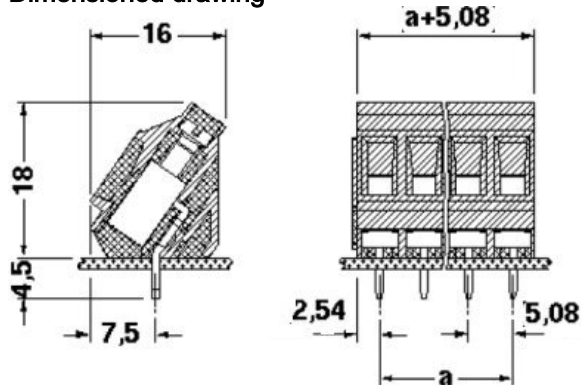
Nominal voltage U_N	300 V
Nominal current I_N	10 A
AWG/kcmil	30-12
Nominal voltage U_N	250 V
Nominal current I_N	15 A
AWG/kcmil	30-12

► Drawings

Drilling diagram



Dimensioned drawing



► Accessories

Item	Designation	Description
General		
1733169	EBP 2- 5	Insertion bridge, fully insulated, for plug connectors with 5.0 or 5.08 mm pitch, no. of positions: 2
Marking		
0804293	SK 5,08/3,8:FORTL.ZAHLEN	Marker card, printed horizontally, self-adhesive, 12 identical decades marked 1-10, 11-20 etc. up to 91-(99)100, sufficient for 120 terminal blocks
Tools		
1205053	SZS 0,6X3,5	Screwdriver, bladed, matches all screw terminal blocks up to 4.0 mm ² connection cross section, blade: 0.6 x 3.5 mm, without VDE approval

► Address

PHOENIX CONTACT GmbH & Co. KG
Flachsmarktstr. 8
32825 Blomberg
Germany
Phone +49 5235 3 00
Fax +49 5235 3 41200
<http://www.phoenixcontact.com>
Phoenix Contact
Technical modifications reserved;