

## Gate and cathode leads for size 1, 2 & 3 thyristor modules

### Description:

Gate and Cathode leads for the range of IXYS thyristor and thyristor / diode modules

2 wire, white for gate and red for cathode, 350mm and 340mm long made from UL 758, style 3751 wire. The terminals and housings are produced to ensure that the gate and cathode leads are connected securely and correctly to the thyristor module.

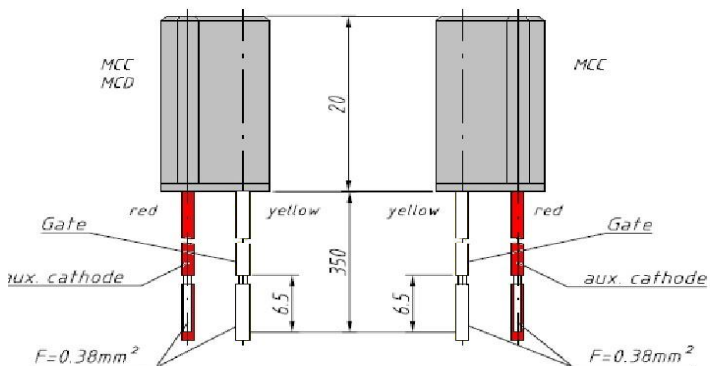
The housings are produced in two sizes to match the IXYS modules, please see the cross reference table below to find the suitable product for your IXYS thyristor module



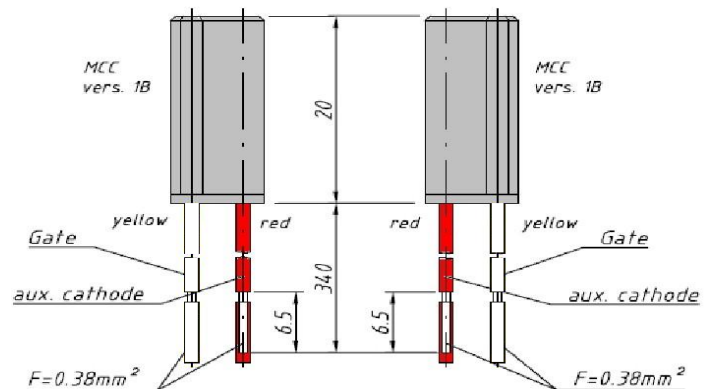
### Product Highlights

- ✓ Moulded housing for direct fitting to mod
- ✓ Insulated wire sleeves

### Gate and Cathode Lead Drawing:



**ECL180L    ECL180R**



**ECL200L    ECL200R**

# Gate & Cathode Leads for Thyristor Modules



## Part numbers and cross reference:

Module part number	Gate and cathode lead part number(s)
MCC26-xxio1B	1 x ECL200L340 + 1 x ECL200R340
MCC44-xxio1B	1 x ECL200L340 + 1 x ECL200R340
MCC56-xxio1B	1 x ECL200L340 + 1 x ECL200R340
MCC72-xxio1B	1 x ECL200L340 + 1 x ECL200R340
MCC94-xxio1B	1 x ECL200L340 + 1 x ECL200R340
MCC95-xxio1B	1 x ECL200L340 + 1 x ECL200R340
MCC132-xxio1	1 x ECL180L350 + 1 x ECL180R350
MCC161-xxio1	1 x ECL180L350 + 1 x ECL180R350
MCC162-xxio1	1 x ECL180L350 + 1 x ECL180R350
MCC200-xxio1	1 x ECL180L350 + 1 x ECL180R350
MCC220-xxio1	1 x ECL180L350 + 1 x ECL180R350
MCC224-xxio1	1 x ECL180L350 + 1 x ECL180R350
MCC250-xxio1	1 x ECL180L350 + 1 x ECL180R350
MCC255-xxio1	1 x ECL180L350 + 1 x ECL180R350
MCC310-xxio1	1 x ECL180L350 + 1 x ECL180R350
MCC312-xxio1	1 x ECL180L350 + 1 x ECL180R350
MCD26-xxio1B	1 x ECL200L340
MCD44-xxio1B	1 x ECL200L340
MCD56-xxio1B	1 x ECL200L340
MCD72-xxio1B	1 x ECL200L340
MCD94-xxio1B	1 x ECL200L340
MCD95-xxio1B	1 x ECL200L340
MCD132-xxio1	1 x ECL180L350
MCD161-xxio1	1 x ECL180L350
MCD162-xxio1	1 x ECL180L350
MCD200-xxio1	1 x ECL180L350
MCD220-xxio1	1 x ECL180L350
MCD224-xxio1	1 x ECL180L350
MCD250-xxio1	1 x ECL180L350
MCD255-xxio1	1 x ECL180L350
MCD310-xxio1	1 x ECL180L350
MCD312-xxio1	1 x ECL180L350

- Data can be changed without notice. For full and accurate data / information please contact Europower Controls Ltd
- The above cables are meant only for use with IXYS thyristor and thyristor / diode modules as set out in the cross reference table above.