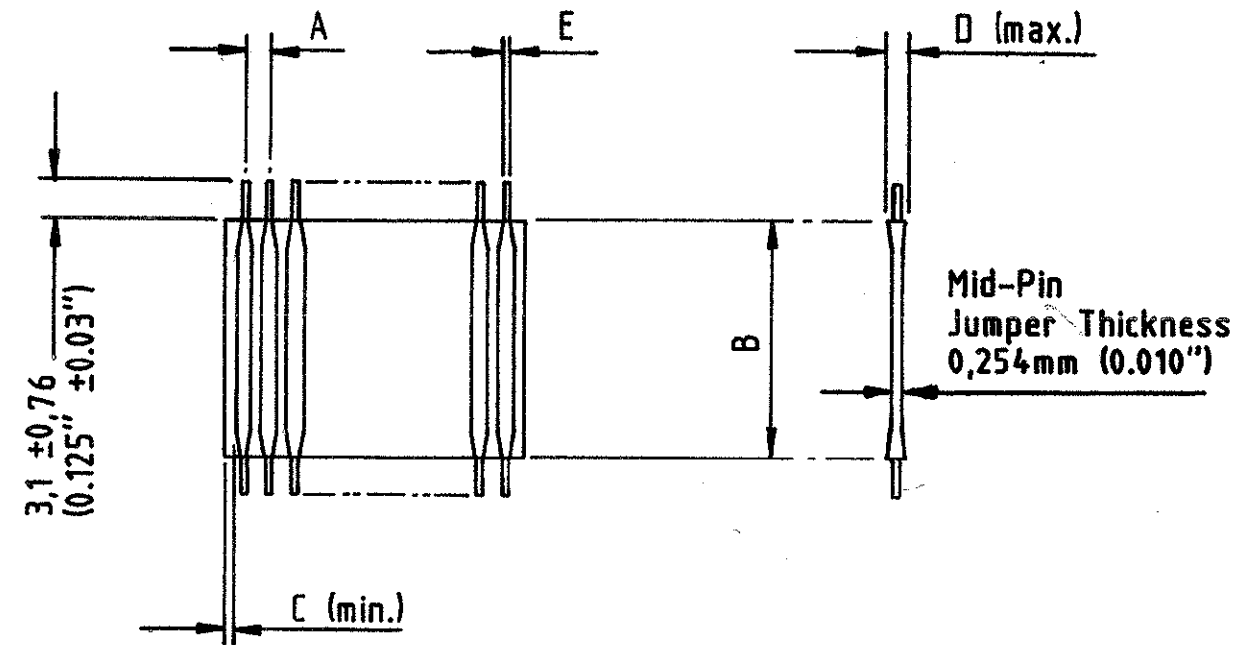




FLEXSTRIP* JUMPERS

| † CONDUCTOR PITCH "A" | MARGIN C (min.) | | THICKNESS D (MAX.) | | PIN DIAMETER E ±0,025 (±0.001") | | NUMBER OF CONDUCTORS | | |
|-----------------------|-----------------|------------|--------------------|------------|---------------------------------|-------|----------------------|--------|--------|
| | Cat. Ref. | mm (inch.) | mm (inch.) | mm (inch.) | mm (inch.) | min. | max. | | |
| 1 | 1,27 | .050" | 0,25 | .010" | 0,64 | .025" | 0,320 | .0126" | 2 - 30 |
| 6 | 1,90 | .075" | 0,38 | .015" | 0,84 | .033" | 0,404 | .0159" | 2 - 30 |
| 2 | 2,54 | .100" | 0,51 | .020" | 0,84 | .033" | 0,511 | .0201" | 2 - 30 |
| 3 | 3,18 | .125" | 1,52 | .060" | 0,84 | .033" | 0,511 | .0201" | 2 - 25 |
| 4 | 3,81 | .150" | 1,52 | .060" | 0,84 | .033" | 0,511 | .0201" | 2 - 20 |
| 5 | 5,08 | .200" | 1,52 | .060" | 0,84 | .033" | 0,511 | .0201" | 2 - 15 |

2/86



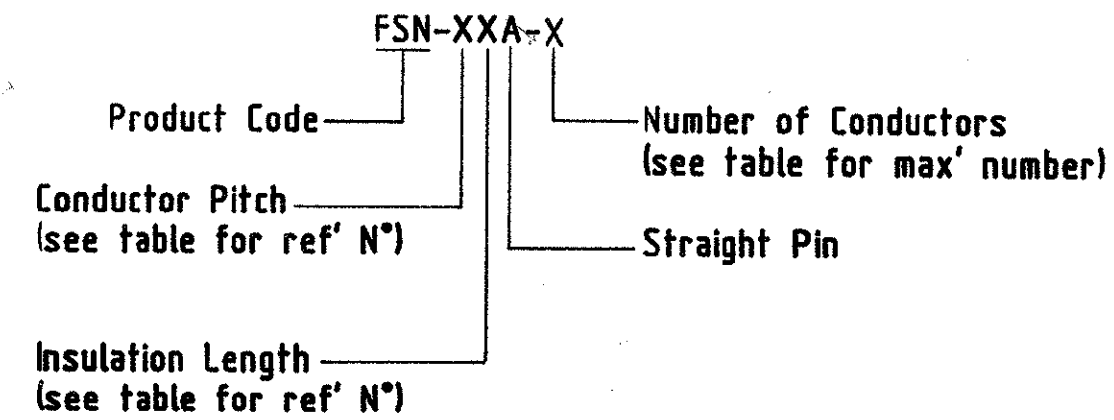
Dimensions are shown in mm (inches.)
† Tolerance on Pitch ±0,25 (0.01") non-cumulative.

| INSULATION LENGTH B ±1.57 (±0.062") | | |
|-------------------------------------|--------|-----------|
| mm | (inch) | Cat. Ref. |
| 25.4 | 1 | 1 |
| 38.1 | 1½ | 1.5 |
| 50.8 | 2 | 2 |
| 63.5 | 2½ | 2.5 |
| 76.2 | 3 | 3 |
| 88.9 | 3½ | 3.5 |
| 101.6 | 4 | 4 |
| 114.3 | 4½ | 4.5 |
| 127 | 5 | 5 |
| 139.7 | 5½ | 5.5 |
| 152.4 | 6 | 6 |

PROPERTIES :-
 Insulation Material - Nomex#
 Temperature Rating - 105°C
 Current Rating - 2 amps
 U.L. Style Number - 5188

NOTES:-
 *Trademark of Thomas & Betts Corporation
 # Registered trademark of E.I. Du Pont de Nemours

CATALOGUE NUMBERING SYSTEM



EXAMPLE:-

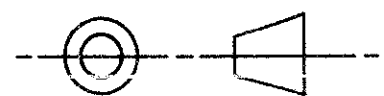
FSN -22A - 15

FSN - Flexstrip Jumper With Nomex Insulation
 2 - Conductor Pitch 2.54 (0.100)
 2 - Insulation Length 50.8 (2)
 A - Straight Pin
 15 - Number of Conductors 15

T&B THOMAS & BETTS INTERNATIONAL
 EUROPEAN ENGINEERING DIVISION

DRG. N°
 3S-10018

IMPERIAL DIMENSIONS SHOWN THUS []
 TOLERANCES
 .0000 EQUALS ± .0002
 .000 EQUALS ± .003
 .00 EQUALS ± .015



THIRD ANGLE PROJECTION

| REV | DESCRIPTION | DATE | BY |
|-----|-------------|------|----|
| 0 | | | |

| | |
|---|---------------------------------------|
| MATERIAL | PART NAME |
| HEAT TREAT | PRODUCT CODE |
| FINISH | TOLERANCES UNLESS OTHERWISE SPECIFIED |
| SCALE | |
| DR. | FSN-11A-15 |
| CH. | |
| APP. | |
| tyco 1-1437130-3 Electronics REV 0 SH12 of 1 | |