

.050" (1,27mm) CABLE STRIPS FFSD SERIES

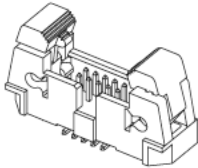
Mates with:
FTS, FTSH, EHF

SPECIFICATIONS

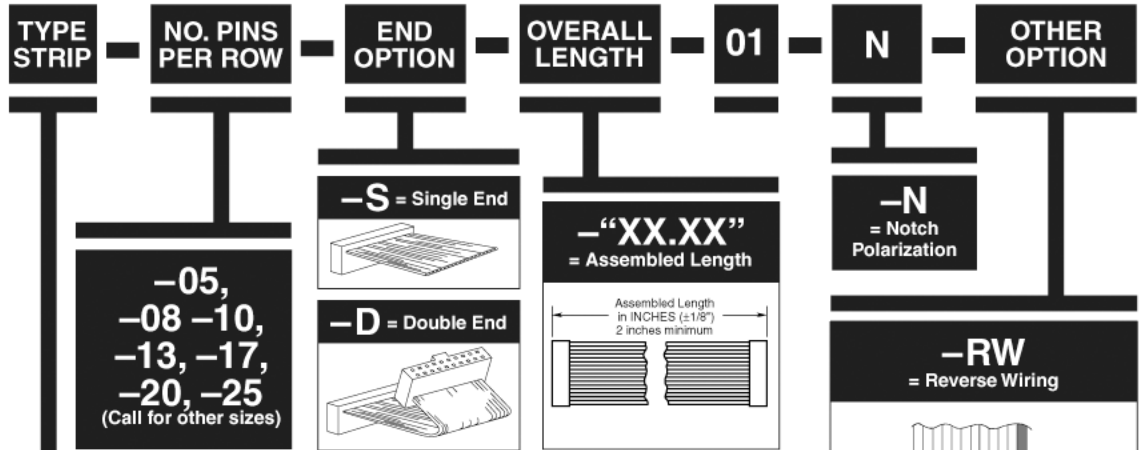
For complete specifications see www.samtec.com?FFSD

Insulator Material: PBT
Contact: BeCu
Plating: 10µ" (0,25µm) Au over 50µ" (1,27µm) Ni on contact area; Sn over 50µ" (1,27µm) Ni on balance
Wire: 30 AWG
Current Rating: 0.5A
Operating Temp Range: -40°C to +105°C
Lead Size Accepted: (0,41mm) .016" SQ
Contact Resistance: 10 mΩ maximum
Insertion Depth: (2,64mm) .104" to (3,17mm) .125"
Insertion Force: (Single contact only) 5oz (1,39N) avg
Withdrawal Force: (Single contact only) 3oz (0,83N) avg
RoHS Compliant: Yes

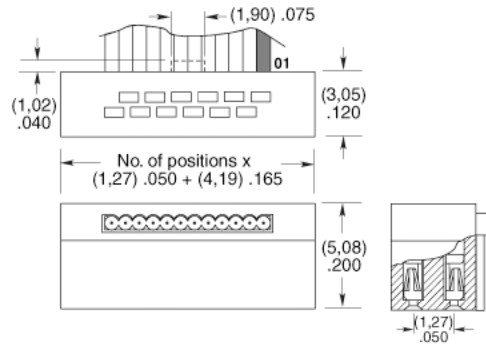
EJECTOR HEADER



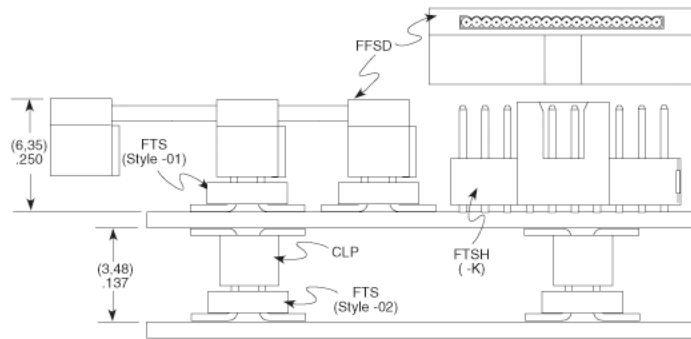
See EHF Series.



FFSD = Socket Strip



APPLICATIONS



Note: This Series is non-standard, non-returnable.

Due to technical progress, all designs, specifications and components are subject to change without notice.

WWW.SAMTEC.COM