

Related Products

Shock Absorber: RB.....P.5.1-1

Floating Joint: J.....P.5.2-1

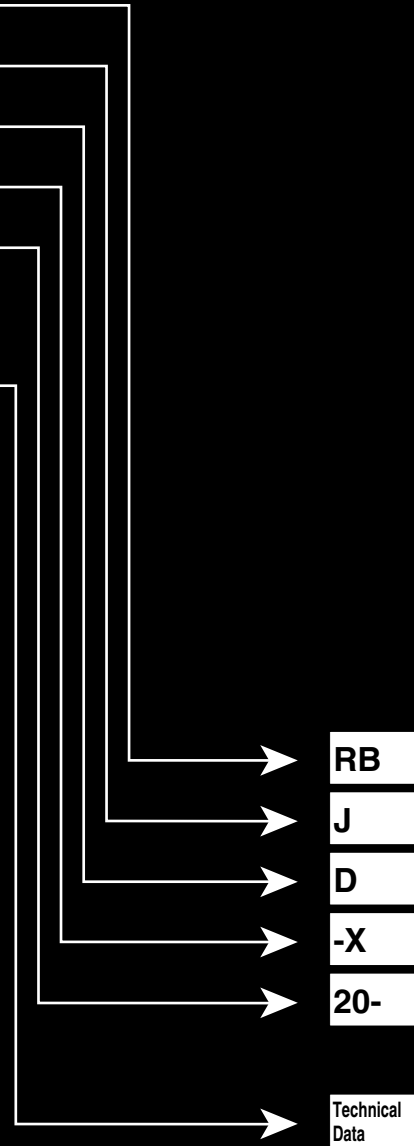
Auto Switch: D.....P.5.3-2

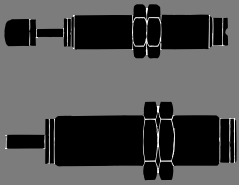
Made to Order: -X.....P.5.4-1

Copper Free: 20-.....P.5.5-1

Technical Data

Technical Data.....P.5.6-1





Shock Absorber Series RB

Impact and noise absorption

Dampening to meet the high speed requirements of the modern world.

Shock Absorber: Series RB
Coolant Resistant: Series RBL

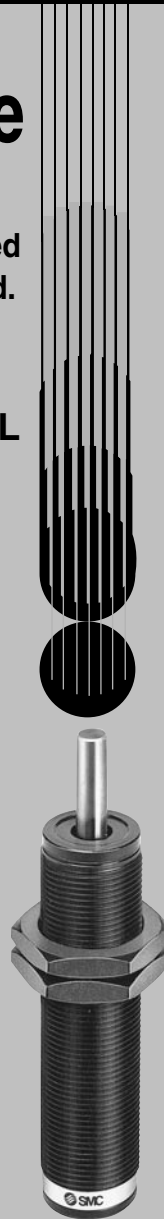
Usable without a stopper nut
The strong body can be positioned directly.

Short Style
Shock Absorber: Series RBQ

A compact style that has been shortened lengthwise

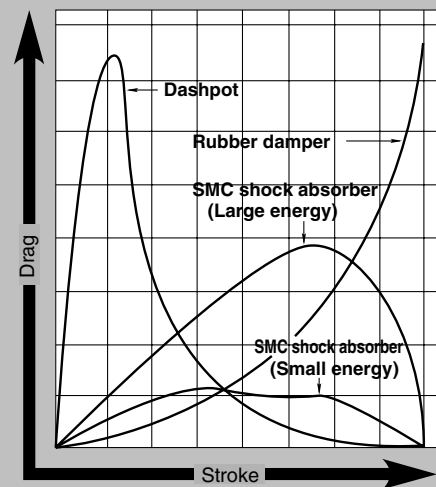
Allowable eccentric angle 5°
Suitable for absorption of rotation energy.

Usable without a stopper nut
The strong body can be positioned directly.





Automatic adjustment to the most appropriate absorption performance

Specially designed orifice can absorb energy comprehensively and most appropriately in many different applications. This ranges from high speed low loads, to low speed high loads; without requiring additional adjustment of the shock absorber.



Variations

Series	Basic	With cap or bumper (Option)	Lock nut*	Stopper nut (Option)	Foot bracket	Page
Series RB 	Series RB	●	●	●	●	5.1-2
	Coolant resistant Series RBL (Except 08 type)	●	●	●	●	5.1-7
Series RBQ 	Series RBQ	●	●	●		5.1-10

*2 lock nuts are attached for series RB and standard models RBQ.

Shock Absorber Series *RB*

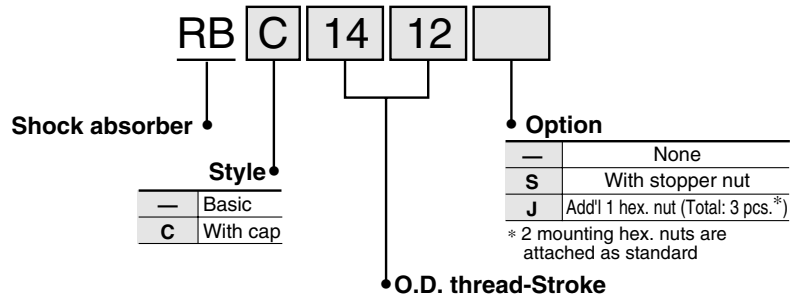


Specifications

Model	Basic	RB0805	RB0806	RB1006	RB1007	RB1411	RB1412	RB2015	RB2725	
	With cap	RBC0805	RBC0806	RBC1006	RBC1007	RBC1411	RBC1412	RBC2015	RBC2725	
Max. energy absorption (J)		0.98	2.94	3.92	5.88	14.7	19.6	58.8	147	
Stroke absorption (mm)		5	6	6	7	11	12	15	25	
Impact speed (m/s)		0.05 to 5								
Max. operation* (cycle/min)		80	80	70	70	45	45	25	10	
Max. allowable thrust energy (N)		245	245	422	422	814	814	1961	2942	
Allowable temp. range (°C)		-10 to 80 (No freezing)								
Spring force (N)	Extended	1.96	1.96	4.22	4.22	6.86	6.86	8.34	8.83	
	Compressed	3.83	4.22	6.18	6.86	15.30	15.98	20.50	20.01	
Weight (g)		15	15	25	25	65	65	150	360	
Option	Stopper nut	Basic	RB08S		RB10S		RB14S		RB20S	RB27S
		With cap	RBC08S		RBC10S		RBC14S		RBC20S	RBC27S

* At max. energy absorption per cycle. Max. operation cycle/min can increase in proportion to energy absorption.

How to Order



Replacement Part No./Cap (Resin part only)

RBC 08 C

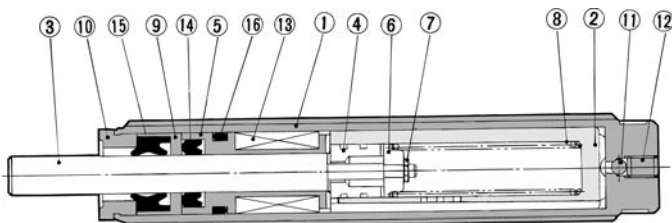
Applicable model

08	RBC0805, 0806	20	RBC2015
10	RBC1006, 1007	27	RBC2725
14	RBC1411, 1412		

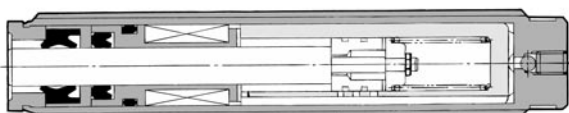
Cap

Construction

Extended



Compressed



Component Parts

No.	Description	Material	Note
①	Outer tube	Rolled steel	Gray coated
②	Inner tube	Special steel	Heat treatment
③	Piston rod	Special steel	Hard chrome plated
④	Piston	Special steel	Heat treatment
⑤	Bearing	Special bearing material	
⑥	Spring guide	Rolled steel	Zinc chromated
⑦	Pushing nut	Steel for spring	
⑧	Return spring	Piano wire	Zinc chromated
⑨	Seal holder	Copper alloy	
⑩	Stopper	Carbon steel	Zinc chromated
⑪	Steel ball	Bearing steel	
⑫	Set screw	Special steel	
⑬	Accumulator	NBR	Foam rubber
⑭	Rod seal	NBR	
⑮	Scraper	NBR	
⑯	Gasket	NBR	

Series RB How to Select

Selection Procedure

1 Classification of impact

- Cylinder stroke at load (horizontal)
- Cylinder stroke at load (downward)
- Cylinder stroke at load (upward)
- Conveyor stroke at load (horizontal)
- Free horizontal impact
- Free dropping impact
- Rotation impact (with torque)

2 Details of applications

Symbol	Condition of application	Unit
m	Impacting object/weight	kg
v	Impacting object/speed	m/sec
h	Dropping height	m
ω	Angle/speed	rad/sec
r	Distance between axis of cylinder and impact point	m
d	Bore size	mm
P	Cylinder operating pressure	MPa
F	Thrust energy	N
T	Torque	Nm
n	Operation cycle	cycle/min
t	Ambient temperature	°C
μ	Friction coefficient	-

3 Specifications and Operational instructions

Ensure that the impact speed, thrust energy, operation cycle, ambient temperature and atmosphere fall within the specifications.

*Be aware of the min. installation radius in the case of oscillating impacts.

4 Calculation of kinetic energy E₁

Using the equation suitable for the classification of impact.

In the case of cylinder stroke at load and free horizontal impact, substitute respective figures for **Data A** in order to calculate E₁.

5 Calculation of thrust energy E₂

Select any shock absorber as a provisional model.

In the case of thrust energy of cylinder, substitute respective figures for **Data B or C**.

6 Calculation of corresponding weight of impacting object Me

Energy absorption $E = E_1 + E_2$
Corresponding weight of impacting object $Me = \frac{2}{v^2} E$

Substitute both energy absorption E and impacting object speed V for **Data A** in order to calculate the corresponding weight of the impacting object.

7 Selection of applicable model

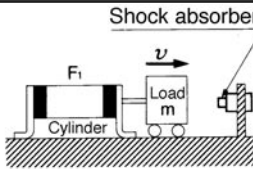
Taking into consideration the corresponding weight of the impacting object Me, calculated using **Data D** and impacting object speed V, check provisional model compatibility with the condition of application. If this is satisfactory, then the said provisional model will be the applicable one.

Caution

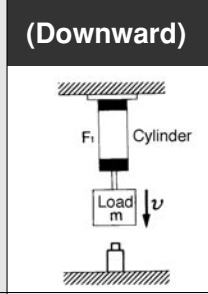
To enable the shock absorber to operate accurately for long hours, it is necessary to select a model that is well-suited to your operating conditions. If the impact energy is smaller than 5% of the maximum absorption energy, select a model that is one class lower.

5.1-3

Example of Selection

	Cylinder stroke at load (Horizontal)
1 Classification of impact	
Impact object /speed U ⁽¹⁾	v
Kinetic energy E ₁	$\frac{1}{2} m v^2$
Thrust energy E ₂	F ₁ S
Energy absorption E	E ₁ +E ₂
Impacting object/ corresponding weight Me ⁽²⁾	$\frac{2}{v^2} E$
2 Details of applications	m=50kg v=0.3m/s d=40mm p=0.5MPa n=20cycle/min t=25°C
3 Specifications Operational instructions	v 0.3<5 (max.) t -10 (min.)<25<80 (max.) F F ₁ <628<1961 (max.) YES
4 Calculation of kinetic energy E ₁	Use Formula to calculate E ₁ . Substitute 50 for m and 0.3 for v. E₁ ≒ 2.3J
5 Calculation of thrust energy E ₂	Use Data B to calculate E ₂ . Substitute 40 for d.44Calculation of corresponding weight of impacting object. E₂ ≒ 9.4J
6 Calculation of corresponding weight of impacting object Me	Use the formula "Energy absorption E=E ₁ +E ₂ =2.3+9.4=11.7J" to calculate Me. Substitute 11.7J for E and 0.3 for v. Me ≒ 260kg
7 Selection of applicable model	According to Data D , the tentatively selected RB2015 satisfies Me= 260kg<400kg at v=0.3. Ultimately, it will result in an operating frequency of n<20<25, without causing a problem. YES Select RB2015

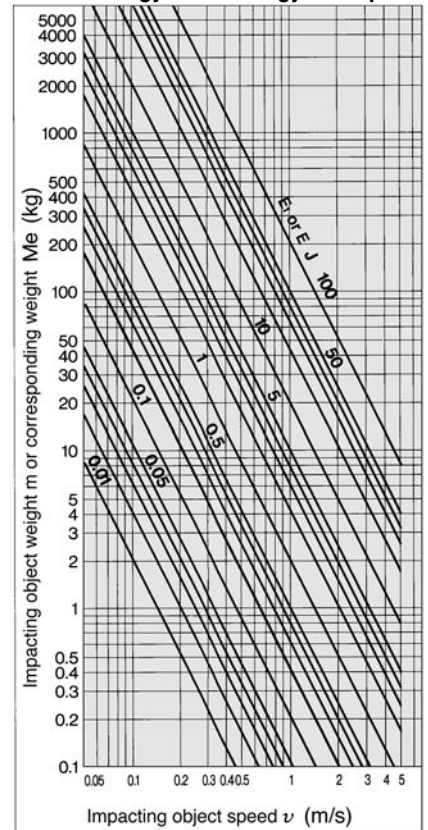
1 Classification of Impact

	(Downward)
Classification of impact	
Impact object /speed v ⁽¹⁾	v
Kinetic energy E ₁	$\frac{1}{2} m v^2$
Thrust energy E ₂	F ₁ S+mgs
Energy absorption E	E ₁ +E ₂
Impacting object/ corresponding weight Me ⁽²⁾	$\frac{2}{v^2} E$

Note 1) Impacting object speed is momentary velocity at which object is impacting against shock absorber.

Data A

Kinetic energy E₁ or Energy absorption E



(Upward)	Conveyor driving at load (Horizontal)	Free dropping impact	Rotation impact (With torque)
v	v	$\sqrt{2gh}$	ωR
$\frac{1}{2} m v^2$	$\frac{1}{2} m v^2$	mgh	$\frac{1}{2} I \omega^2$
$F_1 S - mg S$	$mg \mu S$	$mg S$	$T \frac{S}{R}$
$E_1 + E_2$	$E_1 + E_2$	$E_1 + E_2$	$E_1 + E_2$
$\frac{2}{v^2} E$	$\frac{2}{v^2} E$	$\frac{2}{v^2} E$	$\frac{2}{v^2} E$

«Symbol table»

Symbol	Specifications	Unit
d	Bore size	mm
E	Energy absorption	J
E1	Kinetic energy	J
E2	Thrust energy	J
F1	Cylinder thrust	N
g	Acceleration of gravity	m/s ²
h	Dropping height	m
I ⁽³⁾	Moment of inertia around the center of gravity	kgm ²
n	Operation cycle	cycle/min
p	Cylinder operation pressure	MPa
R	Distance between axis of cylinder and impact point	m
S	Shock absorber stroke	m
T	Torque	Nm
t	Ambient temperature	°C
v	Impacting object speed	m/s
m	Impacting object weight	kg
Me	Corresponding weight of impacting object	kg
ω	Angle speed	rad/s
μ	Friction coefficient	—

Note 2) An "Impact body equivalent weight" is the weight of an impact body without involving thrust, into which an object's total energy has been converted.

Note 3) Refer to the catalog of rotary actuator for the formula of moment of inertia (Kgm²).

Data B

Thrust energy of cylinder F·S (Operating pressure 0.5MPa) Unit: J

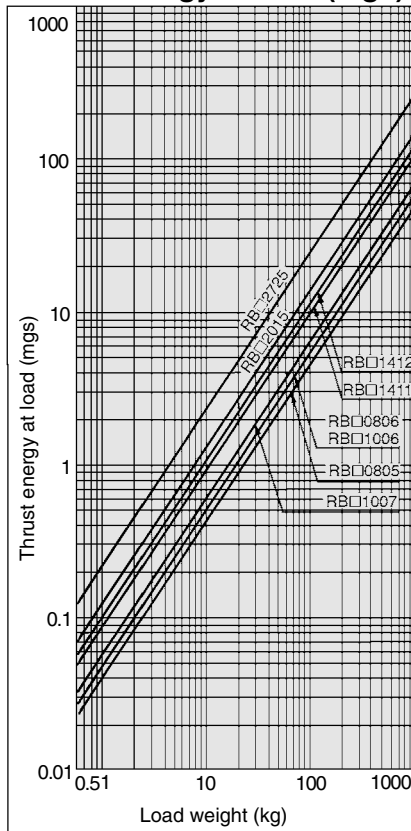
Model	RB□0805	RB□0806 RB□1006	RB□1007	RB□1411	RB□1412	RB□2015	RB□2725	
Stroke absorption (mm)	5	6	7	11	12	15	25	
Bore size d (mm)	6	0.071	0.085	0.099	0.156	0.170	0.212	0.353
	10	0.196	0.236	0.274	0.432	0.471	0.589	0.982
	15	0.442	0.530	0.619	0.972	1.06	1.33	2.21
	20	0.785	0.942	1.10	1.73	1.88	2.36	3.93
	25	1.23	1.47	1.72	2.70	2.95	3.68	6.14
	30	1.77	2.12	2.47	3.89	4.24	5.30	8.84
	40	3.14	3.77	4.40	6.91	7.54	9.42	15.7
	50	4.91	5.89	6.87	10.8	11.8	14.7	24.5
	63	7.79	9.35	10.9	17.1	18.7	23.4	39.0
	80	12.6	15.1	17.6	27.6	30.2	37.7	62.8
	100	19.6	23.6	27.5	43.2	47.1	58.9	98.2
	125	30.7	36.8	43.0	67.5	73.6	92.0	153
	140	38.5	46.2	53.9	84.7	92.4	115	192
160	50.3	60.3	70.4	111	121	151	251	
180	63.6	76.3	89.1	140	153	191	318	
200	78.5	94.2	110	173	188	236	393	
250	123	147	172	270	295	368	614	
300	177	212	247	389	424	530	884	

■ Operating pressure other than 0.5MPa:
Multiply by the following coefficient

Operating press (MPa)	0.1	0.2	0.3	0.4	0.5	0.6	0.7	0.8	0.9
Coefficient	0.2	0.4	0.6	0.8	1.0	1.2	1.4	1.6	1.8

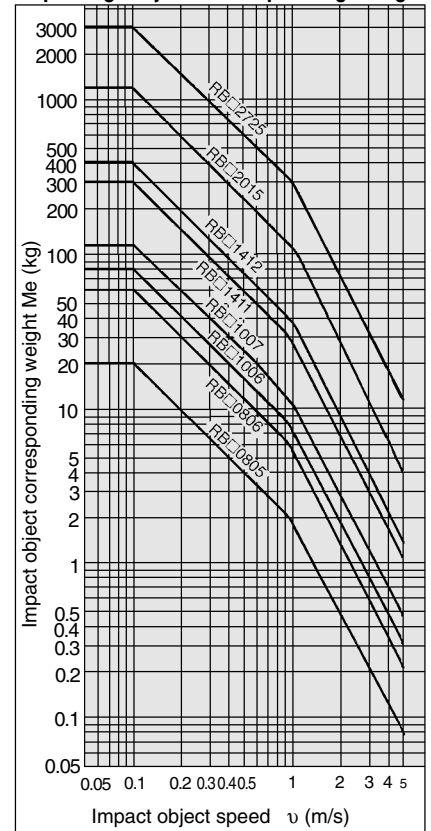
Data C

Thrust energy at load (mgs)



Data D

Impacting object corresponding weight



RB

J

D

-X

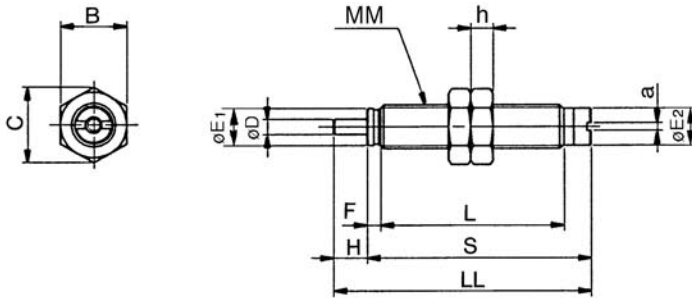
20-

Technical Data

Series RB

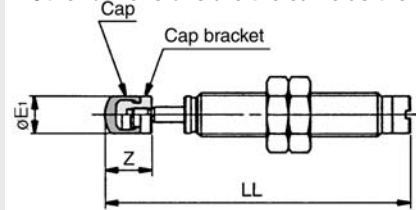
Dimensions

Basic/RB0805, RB0806, RB1006, RB1007



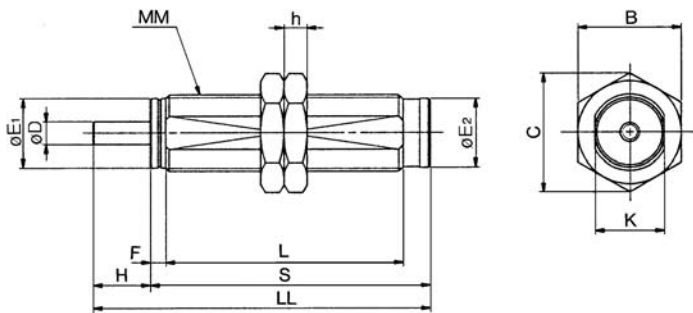
With cap/RBC0805, RBC0806 RBC1006, RBC1007

* Other dimensions are the same as the basic style.



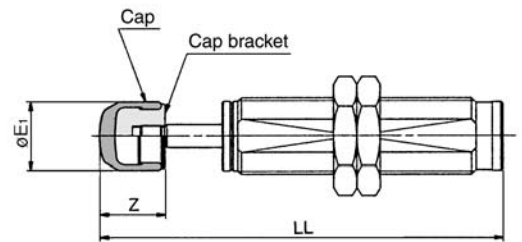
Model		Basic									With cap*			Hexagon nut			
Basic	With cap	D	E1	E2	F	H	a	L	LL	MM	S	E1	LL	Z	B	C	h
RB0805	RBC0805	2.8	6.8	6.8	2.4	5	1.4	33.4	45.8	M8 X 1.0	40.8	6.8	54.3	8.5	12	13.9	4
RB0806	RBC0806	2.8	6.8	6.8	2.4	6	1.4	33.4	46.8	M8 X 1.0	40.8	6.8	55.3	8.5	12	13.9	4
RB1006	RBC1006	3	8.8	8.6	2.7	6	1.4	39	52.7	M10 X 1.0	46.7	8.7	62.7	10	14	16.2	4
RB1007	RBC1007	3	8.8	8.6	2.7	7	1.4	39	53.7	M10 X 1.0	46.7	8.7	63.7	10	14	16.2	4

Basic/RB1411, RB1412, RB2015, RB2725



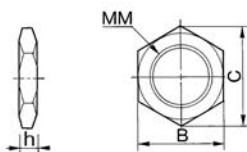
With cap/RBC1411, RBC1412 RBC2015, RBC2725

* Other dimensions are the same as the basic style.



Model		Basic									With cap*			Hexagon nut			
Basic	With cap	D	E1	E2	F	H	K	L	LL	MM	S	E1	LL	Z	B	C	h
RB1411	RBC1411	5	12.2	12	3.5	11	12	58.8	78.3	M14 X 1.5	67.3	12	91.8	13.5	19	21.9	6
RB1412	RBC1412	5	12.2	12	3.5	12	12	58.8	79.3	M14 X 1.5	67.3	12	92.8	13.5	19	21.9	6
RB2015	RBC2015	6	18.2	18	4	15	18	62.2	88.2	M20 X 1.5	73.2	18	105.2	17	27	31.2	6
RB2725	RBC2725	8	25.2	25	5	25	25	86	124	M27 X 1.5	99	25	147	23	36	41.6	6

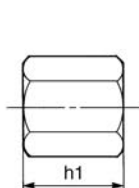
Hexagon Nut (2 pcs. as standard)



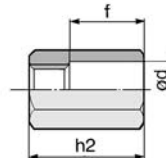
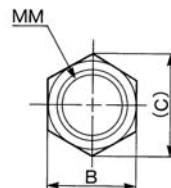
Option

Stopper nut

For basic style



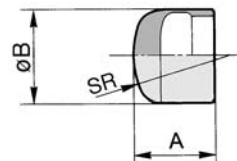
For cap style



Replacement Part

Cap

* (These are the replacement parts for the cap style. Not available for the basic style.)



Part No.	Dimensions			
	MM	h	B	C
RB08J	M8 X 1.0	4	12	13.9
RB10J	M10 X 1.0	4	14	16.2
RB14J	M14 X 1.5	6	19	21.9
RB20J	M20 X 1.5	6	27	31.2
RB27J	M27 X 1.5	6	36	41.6

Part No.	Dimensions							
	Basic	With cap	B	C	h1	h2	MM	d
RB08S	RBC08S	12	13.9	6.5	23	M8 X 1.0	9	15
RB10S	RBC10S	14	16.2	8	23	M10 X 1.0	11	15
RB14S	RBC14S	19	21.9	11	31	M14 X 1.5	15	20
RB20S	RBC20S	27	31.2	16	40	M20 X 1.5	23	25
RB27S	RBC27S	36	41.6	22	51	M27 X 1.5	32	33

Part No.	Dimensions		
	A	B	R1
RBC08C	6.5	6.8	6
RBC10C	9	8.7	7.5
RBC14C	12.5	12	10
RBC20C	16	18	20
RBC27C	21	25	25

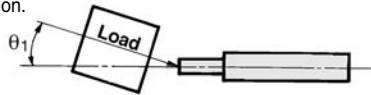
⚠ Precautions

Be sure to read before handling. Refer to Pages p.0-39 to 0-43 for Safety Instructions and common precautions.

Selection

⚠ Warning

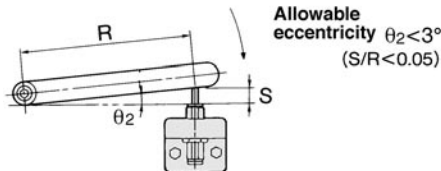
- ① The installation must be designed so that the impact body is perpendicular to the shock absorber's axial centre. An angle of deviation that exceeds 3° will place an excessive load on the bearings, leading to oil leaks within a short period of operation.



Allowable eccentricity $\theta_1 < 3^\circ$

- ② If oscillating impacts are involved, the installation must be designed so that the direction in which the load is applied is perpendicular to the shock absorber's axial center.

The allowable oscillating angle until the stroke end must be $\theta_2 < 3^\circ$. In this case, the minimum installation radius will be as shown in the table below. If the angle exceeds 3°, it could lead to oil leaks.



Installation conditions for rotation impact (mm)

Model	S (Stroke)	θ_2 (Allowable rotation angle)	R (Min. installation radius)
RB□□0805	5	3°	96
RB□□0806	6		115
RB□□1006	6		115
RB□□1007	7		134
RB□□1411	11		210
RB□□1412	12		229
RB□□2015	15		287
RB□□2725	25		478

- ③ A guide is necessary if the impact body involves vibrations.

If the impact body involves vibrations and if a force that is perpendicular to the axis is applied to the piston rod, a secure guide must be provided for the impact body.

- ④ The rigidity of the mounting frame must be taken into consideration.

If the mounting frame lacks rigidity, the shock absorber will vibrate after an impact, causing bearing wear and damage. Apply the following formula to calculate the force that is applied to the mounting frame:

$$\text{Force applied to the mounting frame } N \approx 2 \frac{E (\text{absorption energy J})}{S (\text{stroke m})}$$

⚠ Caution

- ① The maximum absorption energy indicated in the specifications for both Series RB and RBL cannot be brought into full play unless the entire stroke is used.
- ② The contact surface of the impact body with which the piston rod comes in contact must be highly rigid.
In the case without a cap, a high surface compression load is applied to the contact surface of the impact body with which the piston rod comes in contact. Therefore, the contact surface must be highly rigid (hardness of HRC35 or more).

- ③ Be aware of the return force of the impact body.

If used in a conveyor drive, after the shock absorber has absorbed energy, it could be pushed back by the spring that is built in. Refer to the column for the spring force in the specifications (P.5.1-2).

Environment

⚠ Warning

- ① Do not expose the shock absorber to machining oil, water, or dust.
Series RB cannot be used under conditions in which fluids such as machining oil or water are present in atomized form or come in direct contact with the piston rod, or in which dust could adhere to the piston rod. Such conditions would cause malfunction.

- ② Do not operate the shock absorber in an environment that poses the risk of corrosion.

Refer to the respective structural drawing for the type of material that is used in the shock absorber.

- ③ Do not use the shock absorber in a clean room, as it could contaminate the clean room.

Mounting

⚠ Warning

- ① Before performing installation, removal, or stroke adjustment, make sure to cut the power supply to the equipment and verify that the equipment has stopped.

⚠ Caution

- ① Tightening torque of mounting nut should be as follows.

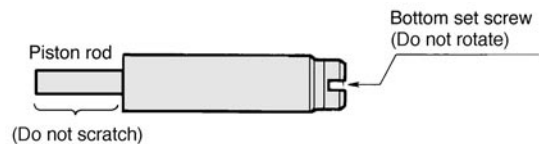
Model	RB0805 RB0806	RB□1006 RB□1007	RB□1411 RB□1412	RB□2015	RB□2725
O.D. thread (mm)	M8 X 1.0	M10 X 1.0	M14 X 1.5	M20 X 1.5	M27 X 1.5
Thread prepared bore (mm)	$\phi 7.1^{+0.1}_0$	$\phi 9.1^{+0.1}_0$	$\phi 12.7^{+0.1}_0$	$\phi 18.7^{+0.1}_0$	$\phi 25.7^{+0.1}_0$
Tightening torque (Nm)	1.67	3.14	10.8	23.5	62.8

If the tightening torque that is applied to the nut exceeds the value given above, the shock absorber itself could become damaged.

- ② Do not scratch the sliding portion of the piston rod or the outside

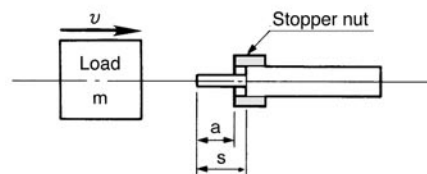
Failure to observe this precaution could scratch or gouge the sliding portion of the piston rod, or damage the seals, which could lead to oil leakage and malfunction. Furthermore, damage to outside threaded portion of the outer tube could prevent the shock absorber from being mounted onto the frame, or its internal components could deform, leading to a malfunction.

- ③ Never turn the screw on the bottom of the body
it is not an adjustment screw, as this will cause oil leakage.



- ④ Adjust the stopping time through the use of the stopper nut, as follows:

Control the stopping time of the impact body by turning the stopper nut in or out (thus changing length "a"). After establishing the stopper nut position, use a hexagon nut to secure the stopper nut in place.



Maintenance

Caution

- ① Make sure that the retaining nut is not loose.
The shock absorber could become damaged if it is used in a loose state.
- ② Pay attention to any abnormal impact sounds or vibrations.
If the impact sounds or vibrations have become abnormally high, the shock absorber may have reached the end of its service life. If this is the case, replace the shock absorber. If use is continued in this state, it could lead to equipment damage.
- ③ Inspect the cap for any cracks or wear.
If the shock absorber comes with a cap, the cap could wear first. To prevent damage to the impact body, replace the cap often.

RB

J

D

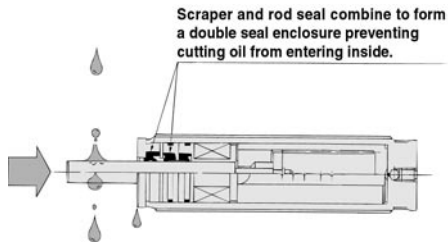
-X

20-

Technical
Data

Coolant Resistant Shock Absorber Series *RBL*

Can be operated in an environment exposed to non-water soluble cutting oil.

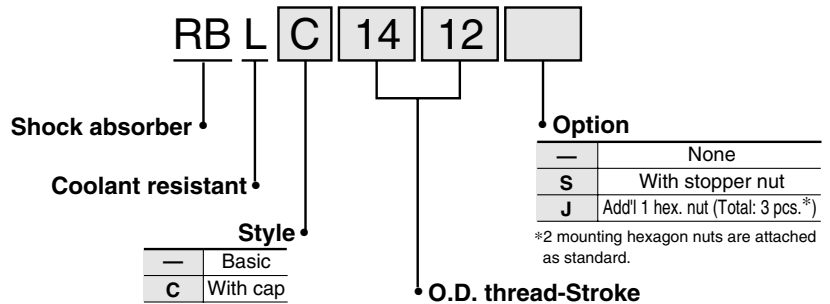


Specifications

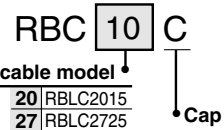
Model	Basic	RBL1006	RBL1007	RBL1411	RBL1412	RBL2015	RBL2725	
	With cap	RBLC1006	RBLC1007	RBLC1411	RBLC1412	RBLC2015	RBLC2725	
Max. energy absorption (J)		3.92	5.88	14.7	19.6	58.8	147	
Stroke absorption (mm)		6	7	11	12	15	25	
Impact speed (m/s)	0.05 to 5							
Max. operation* (cycle/min)		70	70	45	45	25	10	
Max. allowable thrust energy (N)		422	422	814	814	1961	2942	
Allowable temperature range (°C)	-10 to 80							
Effective atmosphere	Water-immiscible cutting oil							
Spring force (N)	Extended	4.22	4.22	8.73	8.73	11.57	22.16	
	Compressed	6.18	6.86	14.12	14.61	17.65	38.05	
Weight (g)		25	25	65	65	150	360	
Option	Stopper nut	Basic	RB10S		RB14S		RB20S	RB27S
		With cap	RBC10S		RBC14S		RBC20S	RBC27S

*At max. energy absorption per cycle. Max. operation cycle/min can increase in proportion to energy absorption.

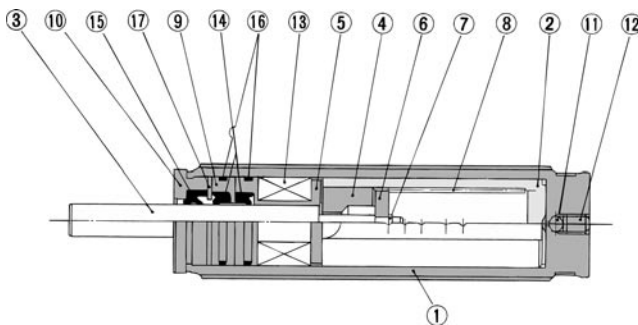
How to Order



Replacement Part No./ Cap (Resin part only)



Construction



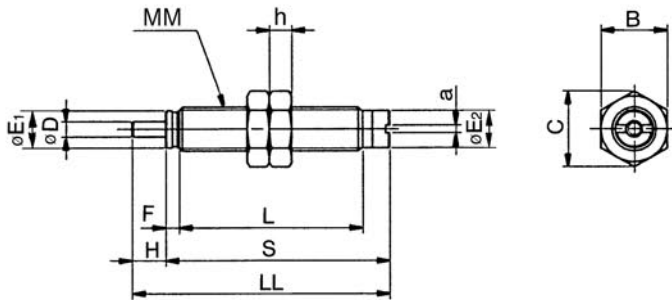
Component Parts

No.	Description	Material	Note
①	Outer tube	Rolled steel	Black coated
②	Inner tube	Special steel	Heat treatment
③	Piston rod	Special steel	Hard chrome plated
④	Piston	Special steel	Heat treatment
⑤	Bearing	Special bearing material	
⑥	Spring guide	Rolled steel	Zinc chromated
⑦	Pushing nut	Steel for spring	
⑧	Return spring	Piano wire	Zinc chromated
⑨	Seal holder	Copper alloy	
⑩	Stopper	Carbon steel	Zinc chromated
⑪	Steal ball	Bearing steel	
⑫	Set screw	Special steel	
⑬	Accumulator	NBR	Foam rubber
⑭	Rod seal	NBR	
⑮	Scraper	NBR	
⑯	Gasket	NBR	
⑰	Spacer	Rolled steel	Zinc chromated

Cooler Resistant Style Shock Absorber *Series RBL*

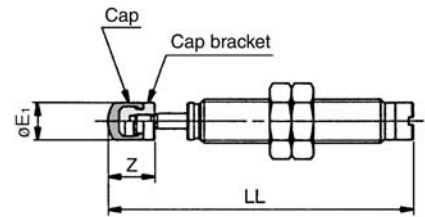
Dimensions

Basic/RBL1006, RBL1007



With Cap/RBLC1006, RBLC1007

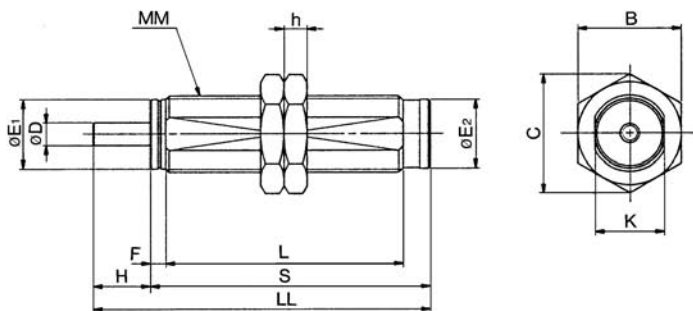
* Other dimensions are the same as the basic style.



Model		Basic										With cap*			Hexagon nut		
Basic	With Cap	D	E1	E2	F	H	a	L	LL	MM	S	E1	LL	Z	B	C	h
RBL1006	RBLC1006	3	8.8	8.6	2.7	6	1.4	43.8	57.5	M10 X 1.0	51.5	8.7	67.5	10	14	16.2	4
RBL1007	RBLC1007	3	8.8	8.6	2.7	7	1.4	43.8	58.5	M10 X 1.0	51.5	8.7	68.5	10	14	16.2	4

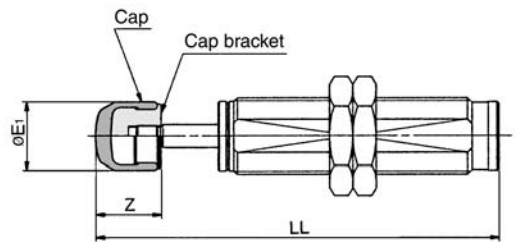
Note) L, LL and S dimensions of RBL(C)1007/1006 are different from those of RB(C)1007/1006.

Basic/RBL1411, RBL1412, RBL2015, RBL2725



With Cap/RBLC1411, RBLC1412, RBLC2015, RBLC2725

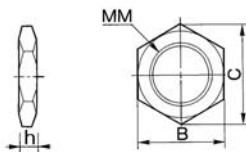
* Other dimensions are the same as the basic style.



Model		Basic										With cap*			Hexagon nut		
Basic	With Cap	D	E1	E2	F	H	K	L	LL	MM	S	E1	LL	Z	B	C	h
RBL1411	RBLC1411	5	12.2	12	3.5	11	12	63.6	83.1	M14 X 1.5	72.1	12	96.6	13.5	19	21.9	6
RBL1412	RBLC1412	5	12.2	12	3.5	12	12	63.6	84.1	M14 X 1.5	72.1	12	97.6	13.5	19	21.9	6
RBL2015	RBLC2015	6	18.2	18	4	15	18	62.2	88.2	M20 X 1.5	73.2	18	105.2	17	27	31.2	6
RBL2725	RBLC2725	8	25.2	25	5	25	25	91.5	129.5	M27 X 1.5	104.5	25	152.5	23	36	41.6	6

Note) L, LL and S dimensions of RBL(C)1007/1006 are different from those of RB(C)1007/1006.

Hexagon Nut (2 pcs. as standard)

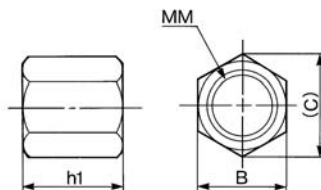


Part No.	Dimensions			
	MM	h	B	C
RB10J	M10 X 1.0	4	14	16.2
RB14J	M14 X 1.5	6	19	21.9
RB20J	M20 X 1.5	6	27	31.2
RB27J	M27 X 1.5	6	36	41.6

Option

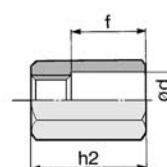
Stopper Nut

For basic style



Part No.	With Cap	Dimensions						
		B	C	h1	h2	MM	d	f
RB10S	RBC10S	14	16.2	8	23	M10 X 1.0	11	15
RB14S	RBC14S	19	21.9	11	31	M14 X 1.5	15	20
RB20S	RBC20S	27	31.2	16	40	M20 X 1.5	23	25
RB27S	RBC27S	36	41.6	22	51	M27 X 1.5	32	33

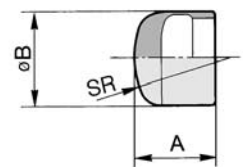
For cap style



Replacement Part

Cap

* (These are the replacement part for the cap style. Not available for the basic style.)



Material: Polyurethane

Part No.	Dimensions		
	A	B	SR
RB10C	9	8.7	7.5
RB14C	12.5	12	10
RB20C	16	18	20
RB27C	21	25	25

RB

J

D

-X

20-

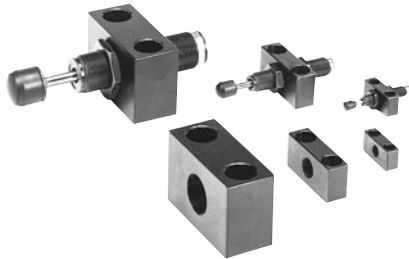
Technical Data



Contact SMC for the detailed dimensions, specifications and delivery.

Foot Bracket for Shock Absorber

Available for the foot mounting bracket of series RB.

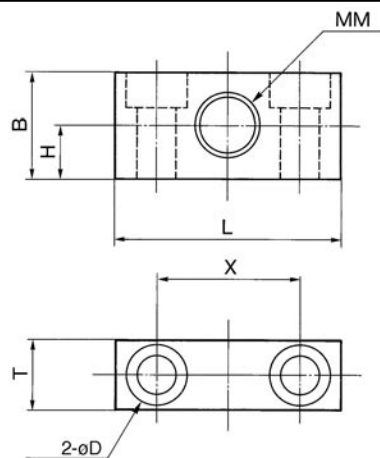


Part No.

Part No.	Applicable absorber
RB08-X331	RB□805, 0806
RB10-X331	RB□1006, 1007
RB14-X331	RB□1411, 1412
RB20-X331	RB□2015
RB27-X331	RB□2725

*Order the foot bracket separately.

Dimensions

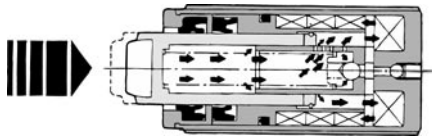


Part No.	B	D	H	L	MM	T	X	Mounting bolt
RB08-X331	15	4.5Drill, 8 Depth of counter bore4.4	7.5	32	M8 X 1.0	10	20	M4
RB10-X331	19	5.5Drill, 9.5 Depth of counter bore5.4	9.5	40	M10 X1.0	12	25	M5
RB14-X331	25	9Drill, 14 Depth of counter bore8.6	12.5	54	M14 X 1.5	16	34	M8
RB20-X331	38	11Drill, 17.5 Depth of counter bore10.8	19	70	M20 X 1.5	22	44	M10
RB27-X331	50	13.5Drill, 20 Depth of counter bore13	25	80	M27 X 1.5	34	52	M12

Shock Absorber Short Style Series *RBQ*

Allowable eccentric angle is 5°

Ideal for absorption of rotation energy



With bumper
Series RBQC

Basic
Series RBQ

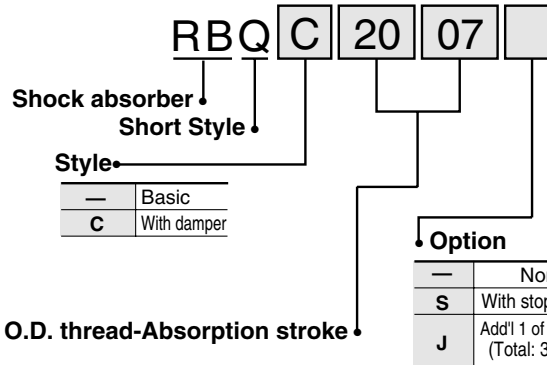
Specifications

Model	Basic	RBQ1604	RBQ2007	RBQ2508	RBQ3009	RBQ3213
	With damper	RBQC1604	RBQC2007	RBQC2508	RBQC3009	RBQC3213
Max. energy absorption (J)		1.96	11.8	19.6	33.3	49.0
Stroke absorption (mm)		4	7	8	8.5	13
Impact speed (m/s)		0.05 to 3				
Max. operation* (cycle/min)		60	60	45	45	30
Max. allowable thrust (N)		294	490	686	981	1177
Ambient temperature (°C)		-10 to 80				
Spring force (kgf)	Extended	6.08	12.75	15.69	21.57	24.52
	Compressed	13.45	27.75	37.85	44.23	54.23
Weight (g)		28	60	110	182	240
Option/Stopper nut		RBQ16S	RB20S	RBQ25S	RBQ30S	RBQ32S

*At max. energy absorption per cycle. Max. operation cycle/min can increase in proportion to energy absorption.

**Mounting nut: 2 pcs. (Standard).

How to Order



Replacement Part No./Damper

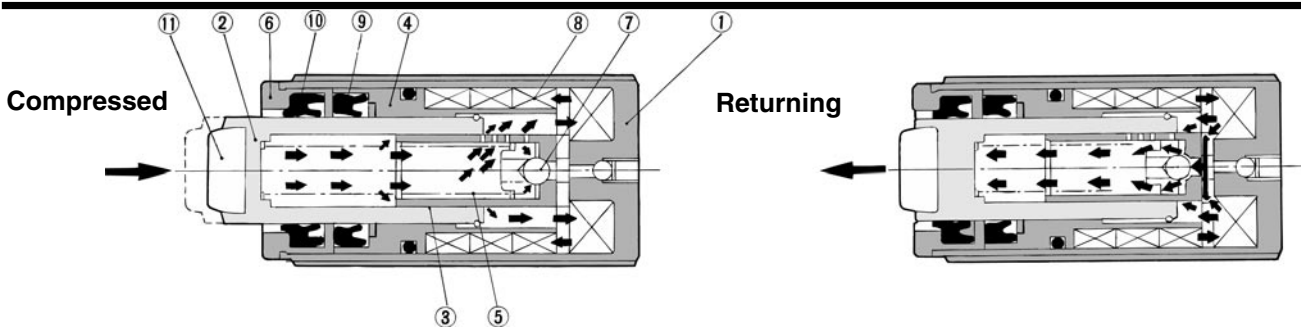
RBQC 16 C

Applicable model

16-RBQC1604
20-RBQC2007
25-RBQC2508
30-RBQC3009
32-RBQC3213

*2 mounting hex. nuts are attached for standard.

Construction



An impacting object that strikes against the piston rod end pressurizes oil inside the piston. Thus, pressurized oil jets out through the orifice inside the piston, thereby generating hydraulic resistance to absorb the energy of the impacting object. The oil jetted out through the orifice is collected inside the outer tube by means of the stretching action of the accumulator.

When the impacting object is removed, the return spring pushes out the piston rod, and negative pressure, generated at the same time, opens the check ball to permit oil to return to the inside of the piston rod and the piston, thus making the shock absorber ready for the next impact.

Component Parts

No.	Description	Material	Note
①	Outer tube	Rolled steel	Black nickel plated
②	Piston rod	Special steel	Heat treatment Hard chrome plated
③	Piston	Special steel	Heat treatment
④	Bearing	Special bearing material	
⑤	Return spring	Piano wire	Zinc chromated
⑥	Stopper	Carbon steel	Zinc chromated

No.	Description	Material	Note
⑦	Check ball	Bearing steel	
⑧	Accumulator	NBR	Foam rubber
⑨	Rod packed	NBR	
⑩	Scraper	NBR	
⑪	Bumper	Polyurethane	Only with bumper

Series RBQ How to Select

Selection Procedure

1 Classification of impact

- Cylinder stroke at load (Horizontal)
- Cylinder stroke at load (Downward)
- Cylinder stroke at load (Upward)
- Conveyor stroke at load (Horizontal)
- Free dropping impact
- Rotation impact (With torque)

2 Details of applications

Symbol	Condition of application	Unit
m	Impacting object/weight	kgf
u	Impacting object/speed	m/sec
h	Dropping height	m
w	Angle/speed	rad/sec
r	Distance between axis of cylinder and impact point	m
d	Bore size	mm
P	Cylinder operating pressure	MPa
F	Thrust	kgf
T	Torque	Nm
n	Operation cycle	cycle/min
t	Ambient temperature	°C
μ	Friction coefficient	—

3 Specifications and Operational instructions

Ensure that the impact speed, thrust, operation cycle, the ambient temperature and atmosphere fall within the specifications. *Be aware of the min. installation radius in the case of oscillating impacts.

4 Calculation of kinetic energy E_1

Using the equation suitable for the classification of impact.

In the case of cylinder stroke at load and free horizontal impact, substitute respective figures for **Data A** in order to calculate E_1 .

5 Calculation of thrust energy E_2

Select any shock absorber as a provisional model.

In the case of thrust energy of cylinder, substitute respective figures for **Data B or C**.

6 Calculation of corresponding weight of impacting object M_e

Energy absorption $E = E_1 + E_2$
Corresponding weight of impacting object $M_e = \frac{2}{v^2} E$

Substitute both energy absorption E and impacting object speed U for **Data A** in order to calculate the corresponding weight of the impacting object.

7 Selection of applicable model

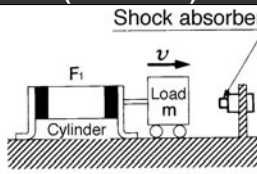
Taking into consideration the corresponding weight of the impacting object M_e , calculated using **Data D** and impacting object speed V , check provisional model compatibility with the condition of application. If this is satisfactory, then the said provisional model will be the applicable one.

Caution

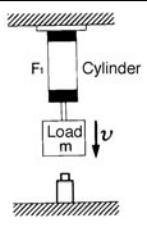
To enable the shock absorber to operate accurately for long hours, it is necessary to select a model that is well suited to your operating conditions. If the impact energy is smaller than 5% of the maximum absorption energy, select a model that is one class lower.

5.1-11

Example of Selection

Cylinder stroke at load (Horizontal)	
1 Classification of impact	
Impact object / speed U	v
Kinetic energy E_1	$\frac{1}{2} m v^2$
Thrust energy E_2	$F_1 S$
Energy absorption E	$E_1 + E_2$
Impacting object / corresponding weight M_e	$\frac{2}{v^2} E$
2 Details of applications	$m=20\text{kg}$ $v=0.7\text{m/s}$ $d=40\text{mm}$ $p=0.5\text{MPa}$ $n=30\text{cycle/min}$ $t=25^\circ\text{C}$
3 Specifications Operational instructions	$v \dots 0.7 < 3$ (max.) $t \dots -10$ (min.) $< 25 < 80$ (max.) $F \dots F_1 \dots 628 < 686$ (max.) YES
4 Calculation of kinetic energy E_1	Use Formula to calculate E_1 . Suitable 20 for m and 0.7 for v . $E_1 \cong 4.9\text{J}$
5 Calculation of thrust energy E_2	Select RBQ2508 as provisional model. Use Data B to calculate E_2 . Substitute d for 40. $E_2 \cong 5.0\text{J}$
6 Calculation of corresponding weight of impacting object M_e	Use the formula "Energy absorption $E = E_1 + E_2 = 4.9 + 5.0 = 9.9\text{J}$ " to calculate M_e . Suitable 9.9J for E and 0.7 for v . $M_e \cong 40\text{kg}$
7 Selection of applicable model	According to Data D , the tentatively selected RBQ2508 satisfies $M_e = 40\text{kg} < 60\text{kg}$ at $v = 0.7$. Ultimately, it will result in an operating frequency of $n \dots 30 < 45$, without causing a problem. YES Select RBQ2508

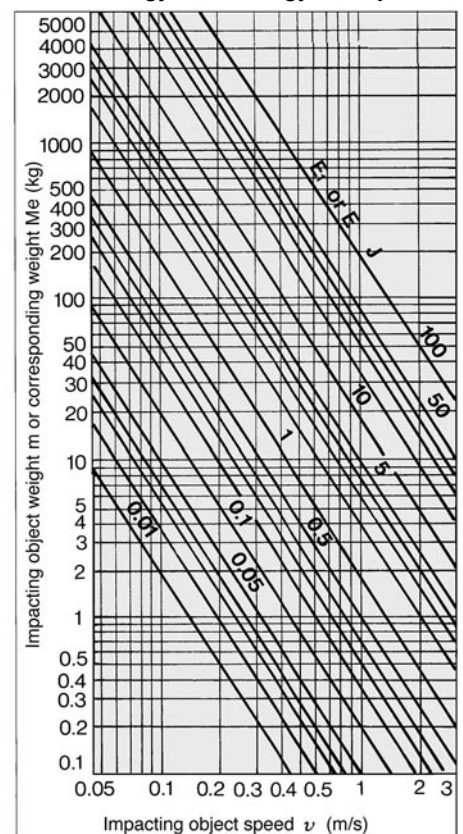
1 Classification of Impact

Classification of impact	(Downward)	
		v
Impact object / speed $v^{(1)}$	v	
Kinetic energy E_1	$\frac{1}{2} m v^2$	
Thrust energy E_2	$F_1 S + mgs$	
Energy absorption E	$E_1 + E_2$	
Impacting object / corresponding weight M_e	$\frac{2}{v^2} E$	

Note 1) Impacting object speed is momentary velocity at which object is impacting against shock absorber.

Data A

Kinetic energy E_1 or Energy absorption E



(Upward)	Conveyor stroke at load (Horizontal)	Free dropping impact	Rotation impact (Weight torque)
v	v	$\sqrt{2gh}$	ωR
$\frac{1}{2} m v^2$	$\frac{1}{2} m v^2$	mgh	$\frac{1}{2} I \omega^2$
$F_1 S - mgS$	$mg \mu S$	mgS	$T \frac{S}{R}$
$E_1 + E_2$	$E_1 + E_2$	$E_1 + E_2$	$E_1 + E_2$
$\frac{2}{v^2} E$	$\frac{2}{v^2} E$	$\frac{2}{v^2} E$	$\frac{2}{v^2} E$

«Symbol table»

Symbol	Specifications	Unit
d	Bore size	mm
E	Energy absorption	J
E1	Kinetic energy	J
E2	Thrust energy	J
F1	Cylinder thrust	N
g	Acceleration of gravity	m/s ²
h	Dropping height	m
I ⁽³⁾	Moment of inertia around the centre of gravity	kgm ²
n	Operation cycle	cycle/min
p	Cylinder operation pressure	MPa
R	Distance between axis of cylinder and impact point	m
S	Shock absorber stroke	m
T	Torque	Nm
t	Ambient temperature	°C
v	Impacting object speed	m/s
m	Impacting object weight	kg
Me	Corresponding weight of impacting object	kg
ω	Angle speed	rad/s
μ	Friction coefficient	—

Note 2) An "Impact body equivalent weight" is the weight of an impact body without involving thrust, into which an object's total energy has been converted. Hence, $E = 1/2 Me v^2$

Note 3) Refer to the catalogue of rotary actuator for the formula of moment of inertia I (kgm²)

Data B

Thrust energy of cylinder $F_1 S$ (Operating press. 0.5MPa) Unit: J

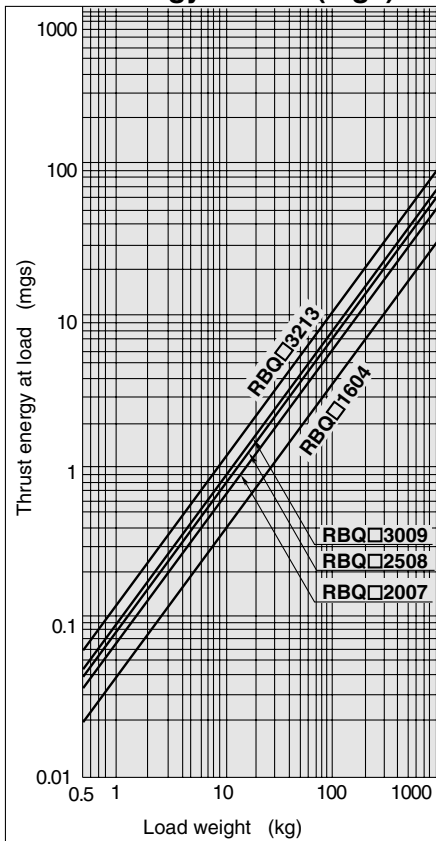
Model	RBQ□1604	RBQ□2007	RBQ□2058	RBQ□3009	RBQ□3213	
Stroke absorption mm	4	7	8	8.5	13	
Bore size d (mm)	6	0.057	0.099	0.113	0.120	0.184
	10	0.157	0.274	0.314	0.334	0.511
	15	0.353	0.619	0.707	0.751	1.15
	20	0.628	1.10	1.26	1.34	2.04
	25	0.982	1.72	1.96	2.09	3.19
	30	1.41	2.47	2.83	3.00	4.59
	40	2.51	4.40	5.03	5.34	8.17
	50	3.93	6.87	7.85	8.34	12.8
	63	6.23	10.9	12.5	13.2	20.3
	80	10.1	17.6	20.1	21.4	32.7
	100	15.7	27.5	31.4	33.4	51.1
	125	24.5	43.0	49.1	52.2	79.8
	140	30.8	53.9	61.6	65.4	100
160	40.2	70.4	80.4	85.5	131	
180	50.9	89.1	102	108	165	
200	62.8	110	126	134	204	
250	98.2	172	196	209	319	
300	141	247	283	300	459	

■ Operating pressure other than 0.5MPa:
Multiply by the following coefficient

Operating pressure (MPa)	1	0.2	0.3	0.4	0.5	0.6	0.7	0.8	0.9
Coefficient	0.2	0.4	0.6	0.8	1.0	1.2	1.4	1.6	1.8

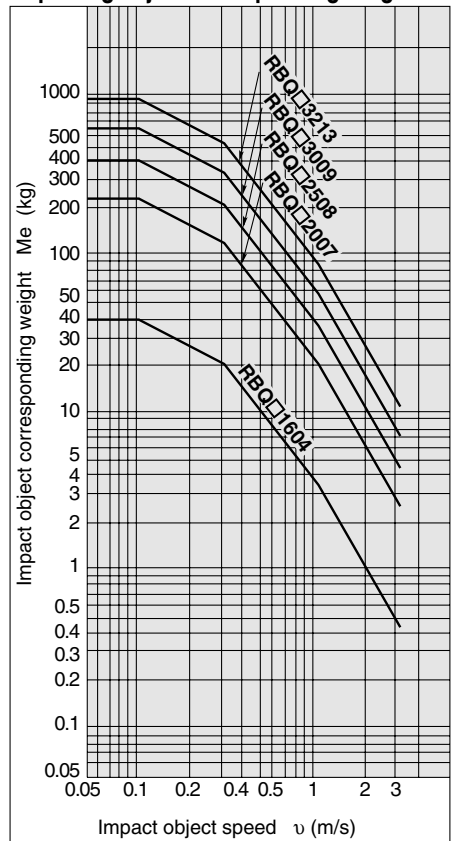
Data C

Thrust energy at load (mgs)



Data D

Impacting object corresponding weight Me



RB

J

D

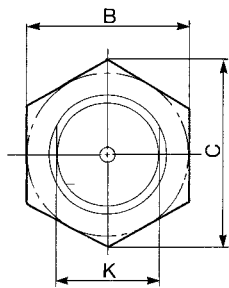
-X

20-

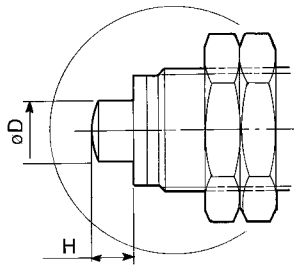
Technical Data

Series RBQ

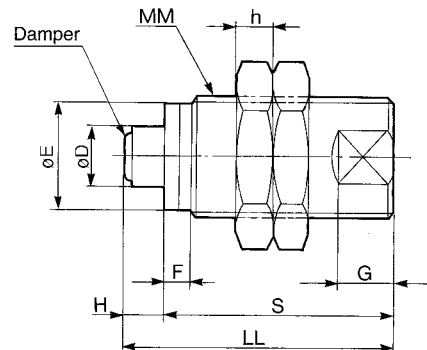
Dimensions



**Series RBQ
Basic**

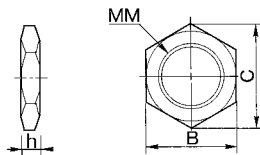


**Series RBQC
With damper**



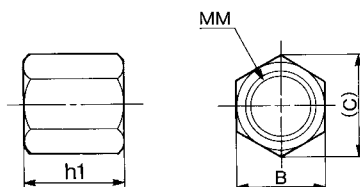
Model		Shock absorber									Hexagon nut		
Basic	With damper	D	E	F	H	K	G	LL	MM	S	B	C	h
RBQ1604	RBQC1604	6	14.2	3.5	4	14	7	31	M16 X 1.5	27	22	25.4	6
RBQ2007	RBQC2007	10	18.2	4	7	18	9	44.5	M20 X 1.5	37.5	27	31.2	6
RBQ2508	RBQC2508	12	23.2	4	8	23	10	52	M25 X 1.5	44	32	37	6
RBQ3009	RBQC3009	16	28.2	5	8.5	28	12	61.5	M30 X 1.5	53	41	47.3	6
RBQ3213	RBQC3213	18	30.2	5	13	30	13	76	M32 X 1.5	63	41	47.3	6

Hexagon nut (2 pcs. as standard)



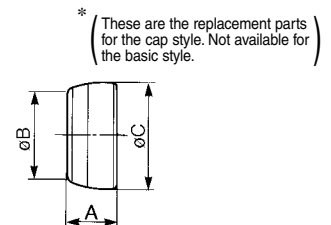
Option

Stopper nut



Replacement Part

Bumper



Unit: mm

Part No.	MM	h	B	C
RBQ16J	M16 X 1.5	6	22	25.4
RB20J⁽¹⁾	M20 X 1.5	6	27	31.2
RBQ25J	M25 X 1.5	6	32	37
RBQ30J	M30 X 1.5	6	41	47.3
RBQ32J	M32 X 1.5	6	41	47.3

Note 1) In case of RB20J, RB and RBQ are common.

Material: Carbon steel

Part No.	B	C	h1	MM
RBQ16S	22	25.4	12	M16 X 1.5
RB20S⁽²⁾	27	31.2	16	M20 X 1.5
RBQ25S	32	37	18	M25 X 1.5
RBQ30S	41	47.3	20	M30 X 1.5
RBQ32S	41	47.3	25	M32 X 1.5

Note 2) In case of RB20S, RB and RBQ are common.

Material: Polyurethane

Part No.	A	B	C
RBQC16C	3.5	4	4.7
RBQC20C	4.5	8	8.3
RBQC25C	5	8.3	9.3
RBQC30C	6	11.3	12.4
RBQC32C	6.6	13.1	14.4

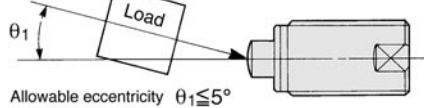
⚠ Precautions

Be sure to read before reading. Refer to p.0-39 to 0-43 for Safety Instructions and common precautions.

Selection

⚠ Warning

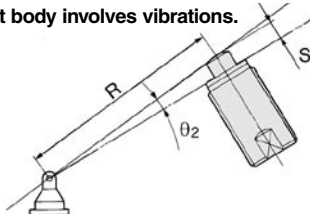
- ① **Load should always be aligned with the axis of piston rod.**
An angle of deviation that exceeds 5° will place an excessive load on the bearings, leading to oil leaks within a short period of operation.
- ② **If oscillating impacts are involved, the installation must be designed so that the direction in which the load is applied is perpendicular to the**



shock absorber's axial centre.

The allowable oscillating angle until the stroke end must be $\theta_2 \leq 5^\circ$. In this case, the minimum installation radius will be as shown in the table below. If the angle exceeds 5°, it could lead to oil leaks.

- ③ **A guide is necessary if the impact body involves vibrations.**



Installation conditions for rotation impact (mm)

Model	S (Stroke)	θ_2 (Allowable rotation angle)	R (Min. installation radius)
RBQ□1604	4	5°	46
RBQ□2007	7		80
RBQ□2508	8		92
RBQ□3009	8.5		98
RBQ□3213	13		149

If the impact body involves vibrations and if a force that is perpendicular to the axis is applied to the piston rod, a secure guide must be provided for the impact body.

- ④ **The rigidity of the mounting frame must be taken into consideration.**
If the mounting frame lacks strength, the shock absorber will vibrate after an impact, causing bearing wear and damage.

Load on mounting plate can be calculated as follows.

$$\text{Load on mounting plate } N \approx 2 \frac{(\text{Energy absorption})}{(\text{Stroke } m)}$$

⚠ Caution

- ① **The maximum absorption energy indicated in the specifications cannot be brought into full play unless the entire stroke is used.**
- ② **The contact surface of the impact body with which the piston rod comes into contact must be highly rigid.**
In the case without a cap, a high surface compression load is applied to the contact surface of the impact body with which the piston rod comes into contact. Therefore, the contact surface must be highly rigid (hardness of HRC35 or more).
- ③ **Be aware of the return force of the impact body.**
If used in a conveyor drive, after the shock absorber has absorbed energy, it could be pushed back by the spring that is built in. For details on this return force, refer to the column for the spring force in the specifications (P5.1-10).

Environment

⚠ Warning

- ① **Do not expose the shock absorber to machining oil, water, or dust.**
Series RBQ cannot be used under conditions in which fluids such as machining oil or water are present in atomized form or come in direct contact with the piston rod, or in which dust could adhere to the piston rod. Such conditions would cause malfunction.
- ② **Do not operate the shock absorber in an environment that poses the risk of corrosion.**
Refer to the respective structural drawing for the type of material that is used in the shock absorber.
- ③ **Do not use the shock absorber in a clean room, as it could contaminate the clean room.**



Mounting

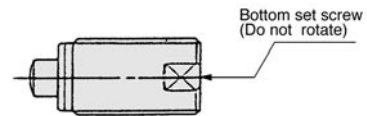
⚠ Warning

- ① **Before performing installation, removal, or stroke adjustment, make sure to cut off the power supply to the equipment and verify that the equipment has stopped.**

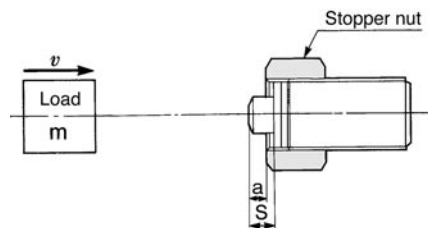
⚠ Caution

Model	RBQ1604	RBQ2007	RBQ2508	RBQ3009	RBQ3213
O.D. thread (mm)	M16	M20	M30	M30	M32
Max. tightening torque (Nm)	14.7	23.5	34.3	78.5	88.3

- ① **Tightening torque of mounting nut should be as follows.**
If the tightening torque that is applied to the nut exceeds the value given above, the shock absorber itself could become damaged.
- ② **Do not scratch the sliding portion of the piston rod or the outside threads of the outer tube.**
Failure to observe this precaution could scratch or gouge the sliding portion of the piston rod, or damage the seals, which could lead to oil leakage and malfunction. Furthermore, damage to the outside threads of the outer tube could prevent the shock absorber from being mounted onto the frame, or its internal components could deform, leading to a malfunction.
- ③ **Never turn the screw on the bottom of the body (it is not an adjustment screw), as this will cause oil leakage.**



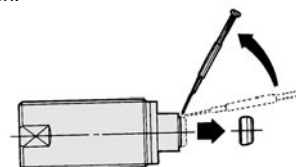
- ④ **Adjust the stopping time through the use of the stopper nut, as follows:**
Control the stopping time of the impact body by turning the stopper nut in or out (thus changing length "a"). After establishing the stopper nut position, use a hexagon nut to secure the stopper nut in place.



Maintenance

⚠ Caution

- ① **Make sure that the retaining nut is not loose.**
The shock absorber could become damaged if it is used in a loose state.
- ② **Pay attention to any abnormal impact sounds or vibrations.**
If the impact sounds or vibrations have become abnormally high, the shock absorber may have reached the end of its service life. If this is the case, replace the shock absorber. If use is continued in this state, it could lead to equipment damage.
- ③ **Inspect the bumper for any cracks or wear.**
If the shock absorber comes with a bumper, the damper could wear first. To prevent damage to the impact body, replace the bumper often. The bumper inserted into the piston rod can be removed easily by a small screwdriver. When reassembling, push the smaller end of the bumper inside the piston.



RB

J

D

-X

20-

Technical
Data

