

788188-1 ✓ ACTIVE

AMP | AMP CPC

TE Internal #: 788188-1

Circular Power Connectors, Housing, 250 VDC, Wire-to-Wire, 3 Position, Sealable, Wire & Cable, Plug, Reverse Gender, Pin, Power & Signal, AMP CPC

[View on TE.com >](#)



Connectors > Power Connectors > Circular Power > Circular Power Connectors > Environmentally Sealed Circular Connector, CPC Series 5



Connector Product Type: **Housing**

Operating Voltage: **250 VDC**

Connector System: **Wire-to-Wire**

Number of Positions: **3**

Sealable: **Yes**

[All Environmentally Sealed Circular Connector, CPC Series 5 \(8\)](#)

## Features

### Product Type Features

Connector Product Type	Housing
Connector System	Wire-to-Wire
Sealable	Yes
Connector & Contact Terminates To	Wire & Cable
Connector & Housing Type	Plug
Circular Connector Shell Type	All Plastic

### Configuration Features

Reverse Numbering	With
Number of Positions	3
Number of Power Positions	3
Seal Type	Wire Entry Seal
Keying	A
Number of Signal Positions	0



### Electrical Characteristics

Operating Voltage	250 VAC
-------------------	---------

### Contact Features

Reverse Gender	Yes
----------------	-----

Contact Type	Pin
--------------	-----

Contact Protection	With
--------------------	------

### Mechanical Attachment

Screw & Hole Thread Size	15/16-20 UNEF – 2A
--------------------------	--------------------

Mating Alignment	With
------------------	------

Mating Retention	With
------------------	------

Panel Mount Feature	Without
---------------------	---------

Mating Alignment Type	Keyed
-----------------------	-------

Mating Retention Type	Threaded Coupling
-----------------------	-------------------

### Housing Features

Body Orientation	Straight
------------------	----------

Housing Color	Black
---------------	-------

Housing Material	Nylon
------------------	-------

Circular Connector Shell Size	17
-------------------------------	----

### Dimensions

Accepts Wire Insulation Diameter Range	2.41 – 5.21 mm [.095 – .205 in]
--	---------------------------------

### Usage Conditions

Operating Temperature Range	-55 – 105 °C [-67 – 221 °F]
-----------------------------	-----------------------------

Fluid Resistance	Immersion
------------------	-----------

### Operation/Application

Circuit Application	Power & Signal
---------------------	----------------

Shielded	No
----------	----

### Industry Standards

UL Flammability Rating	UL 94V-0
------------------------	----------

VDE Tested	No
------------	----

### Packaging Features

Packaging Method	Tray
------------------	------

Packaging Quantity

24

## Product Compliance

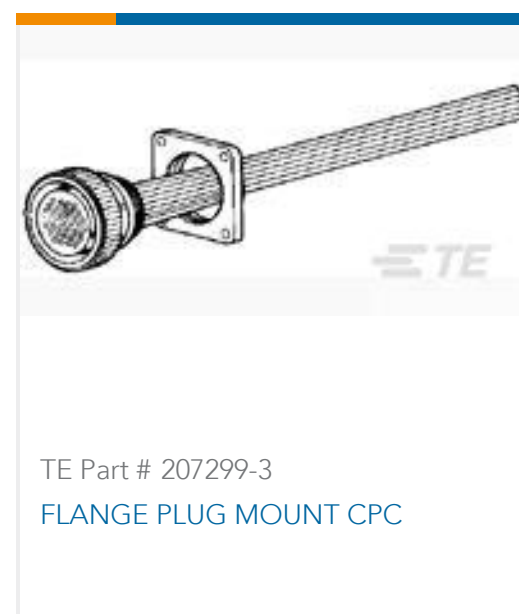
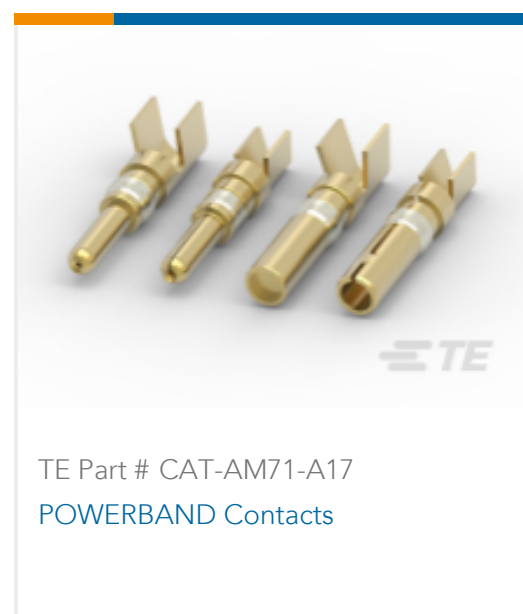
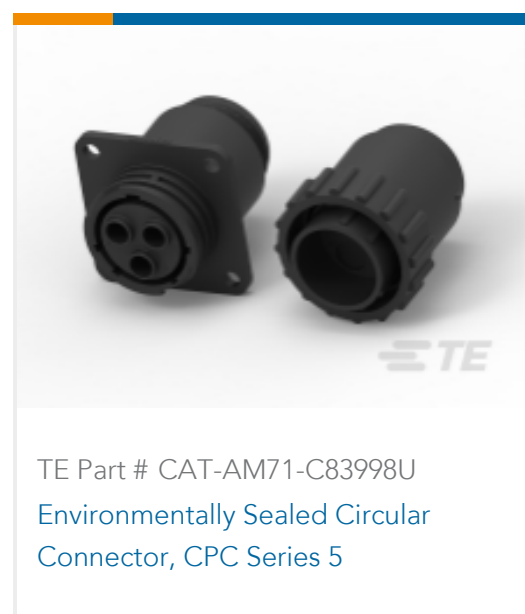
[For compliance documentation, visit the product page on TE.com>](#)

EU RoHS Directive 2011/65/EU	Compliant
EU ELV Directive 2000/53/EC	Compliant
China RoHS 2 Directive MIIT Order No 32, 2016	No Restricted Materials Above Threshold
EU REACH Regulation (EC) No. 1907/2006	Current ECHA Candidate List: JUNE 2022 (224) Candidate List Declared Against: JUNE 2022 (224) Does not contain REACH SVHC
Halogen Content	Not Low Halogen - contains Br or Cl > 900 ppm.
Solder Process Capability	Not applicable for solder process capability

### Product Compliance Disclaimer

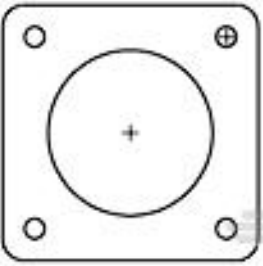
This information is provided based on reasonable inquiry of our suppliers and represents our current actual knowledge based on the information they provided. This information is subject to change. The part numbers that TE has identified as EU RoHS compliant have a maximum concentration of 0.1% by weight in homogenous materials for lead, hexavalent chromium, mercury, PBB, PBDE, DBP, BBP, DEHP, DIBP, and 0.01% for cadmium, or qualify for an exemption to these limits as defined in the Annexes of Directive 2011/65/EU (RoHS2). Finished electrical and electronic equipment products will be CE marked as required by Directive 2011/65/EU. Components may not be CE marked. Additionally, the part numbers that TE has identified as EU ELV compliant have a maximum concentration of 0.1% by weight in homogenous materials for lead, hexavalent chromium, and mercury, and 0.01% for cadmium, or qualify for an exemption to these limits as defined in the Annexes of Directive 2000/53/EC (ELV). Regarding the REACH Regulation, the information TE provides on SVHC in articles for this part number is based on the latest European Chemicals Agency (ECHA) 'Guidance on requirements for substances in articles' posted at this URL: <https://echa.europa.eu/guidance-documents/guidance-on-reach>

## Compatible Parts






TE Part # CAT-AM71-C83998K  
Circular Connector, Environmentally Sealed, CPC Series 6



TE Part # 81665-2  
FLANGE GASKET CPC



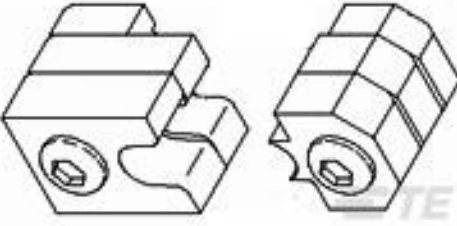
TE Part # 213810-1  
CPC COUPLING RING SIZE 17



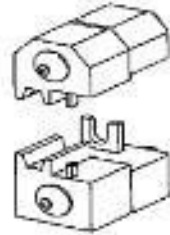
TE Part # 213899-1  
CPC SEAL ASSY KIT, SRS 5,17-3



TE Part # 213900-1  
CPC SEAL ASSY KIT, SRS 6,17-10



TE Part # 356611-1  
DIES POWERBAND CONT 8 AWG DIE SET



TE Part # 356612-1  
DIES POWERBAND CONT 14-12 AWG DIE SET



TE Part # 356611-2  
DIES POWERBAND CONT 10 AWG DIE SET



TE Part # 3-2407269-3  
CAP, CPC, SIZE 17 PLUG, RED



TE Part # 3-2407269-1  
CAP, CPC, SIZE 17 PLUG, ORANGE




TE Part # 3-2407269-4  
CAP, CPC, SIZE 17 PLUG, YELLOW




TE Part # 3-2407269-2  
CAP, CPC, SIZE 17 PLUG, BLACK


Also in the Series | AMP CPC




Circular Connector Adapters(7)




Circular Connector Boots & Strain Relief(6)



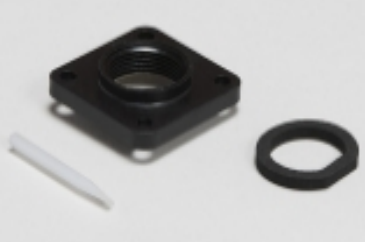
Circular Connector Caps & Covers(16)




Circular Connector Hardware(3)




Circular Connector Keying Plugs(2)



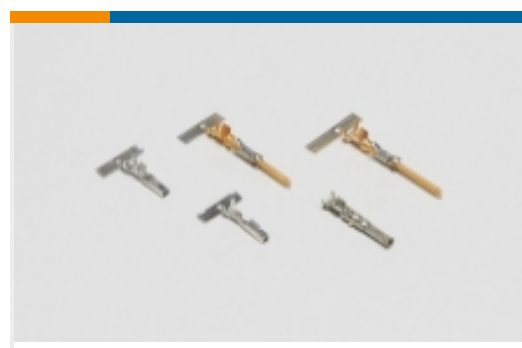
Circular Connector Seals(36)



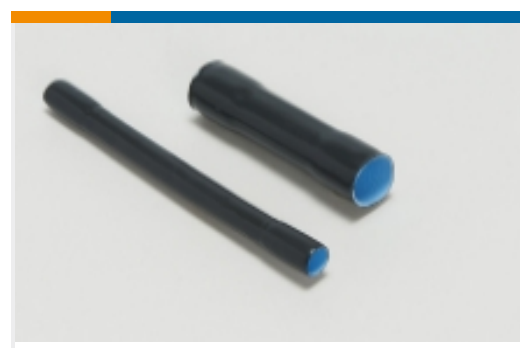
Circular Power Connectors(467)



Insertion & Extraction Tools(1)



Power Contacts(6)

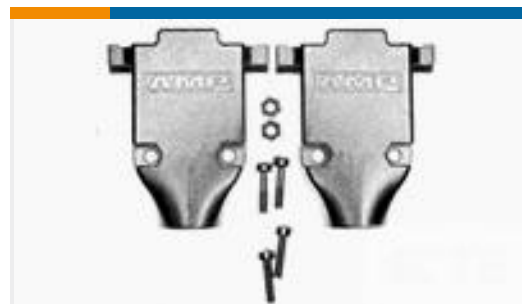
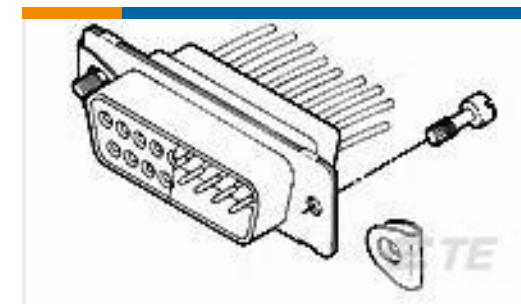
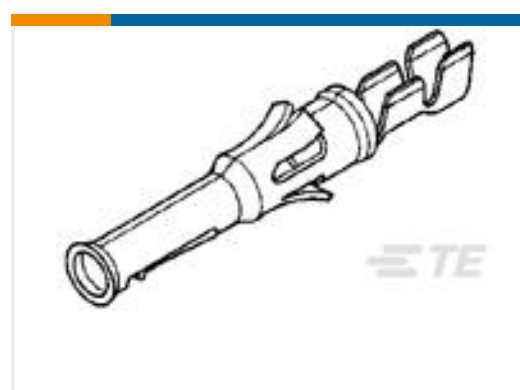


Sealing Sleeves(2)



Unscreened Circular Connector Backshells &amp; Clamps(56)

## Customers Also Bought

TE Part #1-5745172-3  
AMPLI CBL CLMP KITTE Part #66591-1  
TYPE VI PIN CONT,M-MATE,LPTE Part #5745173-2  
CABLE CLAMP KIT,SZ 3TE Part #5205980-4  
SCREW RETAINER KITTE Part #213847-1  
POWERBAND ContactsTE Part #66594-1  
TYPE VI SKT CONT,MULTIMATETE Part #1337778-4  
75 OHM COAX BNC STR PLUG ELB P

## Documents

### Product Drawings

[CPC 17-3 PLUG ASY,REV SEX](#)

English

### CAD Files

Customer View Model

[ENG\\_CVM\\_788188-1\\_C.3d\\_igs.zip](#)

English

Customer View Model

[ENG\\_CVM\\_788188-1\\_C.3d\\_stp.zip](#)

English

Customer View Model

[ENG\\_CVM\\_788188-1\\_C.2d\\_dxf.zip](#)

English

[3D PDF](#)

English

[3D PDF](#)



3D

Customer View Model

[ENG\\_CVM\\_CVM\\_788188-1\\_G.2d\\_dxf.zip](#)

English

Customer View Model

[ENG\\_CVM\\_CVM\\_788188-1\\_G.3d\\_igs.zip](#)

English

Customer View Model

[ENG\\_CVM\\_CVM\\_788188-1\\_G.3d\\_stp.zip](#)

English

By downloading the CAD file I accept and agree to the [Terms and Conditions](#) of use.

---

### Datasheets & Catalog Pages

[AMP Circular Connectors for Commercial Signal & Power Applications](#)

English

---

### Product Specifications

[Product Specification](#)

English

---

### Product Environmental Compliance

[MD\\_788188-1\\_040520122255](#)

English

[MD\\_788188-1\\_040520122255](#)

English

---

### Agency Approvals

[UL Report](#)

English