

## Data interface - PSR-M-GW-DNET-SC - 1105103

Please be informed that the data shown in this PDF Document is generated from our Online Catalog. Please find the complete data in the user's documentation. Our General Terms of Use for Downloads are valid (<http://phoenixcontact.com/download>)



Gateway for connecting a PSR-M base module to a higher-level controller, DeviceNet™, TBUS interface, plug-in screw terminal block, TBUS connector included

### Product Description

The configurable and individually scalable PSRmodular safety system is a flexible safety solution for monitoring your machine or system. PSRmodular gateways connect a PSR-M basic module to a higher-level controller. This gateway is intended for use with DeviceNet™.


### Your advantages

- ✓ Economical safety solution with a high level of adaptability to individual requirements
- ✓ Fast startup, thanks to easy hardware and software configuration
- ✓ Machine downtime minimized with comprehensive, easy-to-understand diagnostics
- ✓ Narrow housing width of just 22.6 mm



COMPLETE line

### Key Commercial Data

Packing unit	1 pc
GTIN	 4 055626 973197
GTIN	4055626973197
Weight per Piece (excluding packing)	131.000 g
Custom tariff number	85371098
Country of origin	Italy
Sales Key	DNA365

### Technical data

#### Dimensions

Width	22.61 mm
Height	112.58 mm
Depth	113.6 mm

#### Ambient conditions

# Data interface - PSR-M-GW-DNET-SC - 1105103

## Technical data

### Ambient conditions

Ambient temperature (operation)	-10 °C ... 55 °C (observe derating)
Ambient temperature (storage/transport)	-20 °C ... 85 °C
Max. permissible relative humidity (operation)	95 % (non-condensing)
Max. permissible humidity (storage/transport)	95 % (non-condensing)
Maximum altitude	≤ 2000 m (Above sea level)

### Power supply

Designation	A1/A2
Rated control circuit supply voltage $U_s$	24 V DC -20 % / +20 % (external fuse, typically 4 A)
	19.2 V DC ... 28.8 V DC
Rated control supply current $I_s$	typ. 30 mA (at $U_s$ )
Power consumption at $U_s$	typ. 0.75 W
Inrush current	< 2.2 A ( $\Delta t = 1$ ms at $U_s$ )
Filter time	typ. 5 ms (in the event of voltage dips at $U_s$ )
Protective circuit	Serial protection against polarity reversal
	Suppressor diode

### Device interface

Designation	Network interface
Communication protocol	DeviceNet™
Connection method	Connector
Number of connections	1
Transmission speed	max. 500 kbps
Transmission speed range	125 kbps ... 500 kbps
Transmission length	max. 500 m (depending on the transmission speed)
Designation	Service interface
Connection method	USB 2.0 Hi-Speed
Number of connections	1
Maximum cable length	3 m

### General

Nominal operating mode	100% operating factor
Net weight	131 g
Mounting position	vertical or horizontal
Mounting type	DIN rail mounting
Degree of protection	IP20
Min. degree of protection of inst. location	IP54
Protection class	III (EN 50178)
Housing material	Polyamide PA non-reinforced
Housing color	gray
Operating voltage display	1 x green LED
Status display	1 x LED (green), 2 x LED (green, red)

# Data interface - PSR-M-GW-DNET-SC - 1105103

## Technical data

### General

Indication	2 x LED (red)
------------	---------------

### Connection data

Connection method	Screw connection
pluggable	Yes
Conductor cross section solid	0.2 mm <sup>2</sup> ... 2.5 mm <sup>2</sup>
Conductor cross section flexible	0.2 mm <sup>2</sup> ... 2.5 mm <sup>2</sup>
Conductor cross-section AWG	24 ... 12
Stripping length	7 mm
Screw thread	M3
Torque	0.5 Nm ... 0.6 Nm

### Standards and Regulations

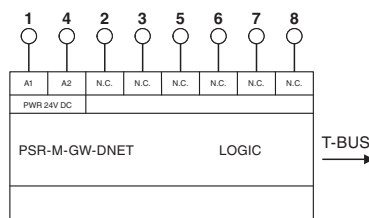
Standards/regulations	EN 50178
Rated insulation voltage	250 V AC
Rated surge voltage/insulation	Basic insulation 4 kV
Degree of pollution	2
Overvoltage category	II
Shock	10g for Δt = 16 ms (continuous shock, 1000 shocks in each space direction)
Vibration (operation)	10 Hz ... 150 Hz, 2g
Conformance	CE-compliant

### Environmental Product Compliance

China RoHS	Environmentally friendly use period: unlimited = EFUP-e
	No hazardous substances above threshold values

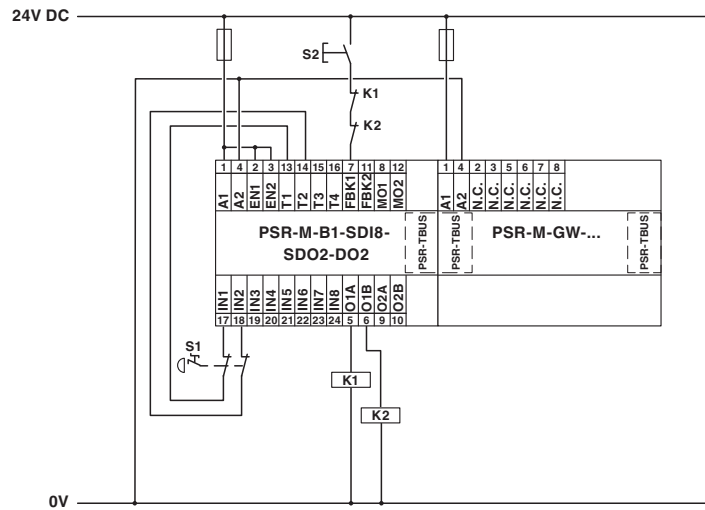
## Drawings

Block diagram



# Data interface - PSR-M-GW-DNET-SC - 1105103

Application drawing



## Classifications

eCl@ss

eCl@ss 10.0.1	27242608
eCl@ss 11.0	27242608
eCl@ss 8.0	27242608
eCl@ss 9.0	27242608

ETIM

ETIM 5.0	EC001604
----------	----------

## Approvals

Approvals

Approvals

UL Listed / cUL Listed / cULus Listed

Ex Approvals

## Approval details

UL Listed		<a href="http://database.ul.com/cgi-bin/XYV/template/LISEXT/1FRAME/index.htm">http://database.ul.com/cgi-bin/XYV/template/LISEXT/1FRAME/index.htm</a>	FILE E 238705
-----------	--	-------------------------------------------------------------------------------------------------------------------------------------------------------	---------------

## Data interface - PSR-M-GW-DNET-SC - 1105103

### Approvals

cUL Listed		<a href="http://database.ul.com/cgi-bin/XYV/template/LISEXT/1FRAME/index.htm">http://database.ul.com/cgi-bin/XYV/template/LISEXT/1FRAME/index.htm</a>	FILE E 238705
------------	--	-------------------------------------------------------------------------------------------------------------------------------------------------------	---------------

cULus Listed			
--------------	--	--	--

### Accessories

#### Accessories

#### Coding element

Coding profile - CP-MSTB - 1734634



Coding profile, is inserted into the slot on the plug or inverted header, red insulating material

Coding section - CR-MSTB - 1734401



Coding section, inserted into the recess in the header or the inverted plug, red insulating material

#### Programming cable

USB cable - CABLE-USB/MINI-USB-3,0M - 2986135



USB connecting cable: USB plug type A to USB plug type Mini-B; length: 3 m

#### Safety device

## Data interface - PSR-M-GW-DNET-SC - 1105103

### Accessories

Safety module - PSR-M-B1-SDI8-SDO2-DO2-SC - 1104981



Configurable safety module (basic module), 8 safe inputs, 2 safe outputs, 2 reset inputs, 2 signal outputs, 4 clock outputs, can be extended via TBUS, up to SILCL 3, Cat. 4/PL e, SIL 3, plug-in screw terminal block, TBUS connector not included

---

Safety module - PSR-M-B1-SDI8-SDO2-DO2-PI - 1104972



Configurable safety module (basic module), 8 safe inputs, 2 safe outputs, 2 reset inputs, 2 signal outputs, 4 clock outputs, can be extended via TBUS, up to SILCL 3, Cat. 4/PL e, SIL 3, plug-in Push-in terminal block, TBUS connector not included

---

Safety module - PSR-M-B2-SDI8-SDO4-DO4-SC - 1104974



Configurable safety module (basic module), 8 safe inputs, 4 safe outputs, 4 reset inputs or 4 signal outputs, 4 clock outputs, can be extended via TBUS, up to SILCL 3, Cat. 4/PL e, SIL 3, plug-in screw terminal block, TBUS connector not included

---

Safety module - PSR-M-B2-SDI8-SDO4-DO4-PI - 1104975



Configurable safety module (basic module), 8 safe inputs, 4 safe outputs, 4 reset inputs or 4 signal outputs, 4 clock outputs, can be extended via TBUS, up to SILCL 3, Cat. 4/PL e, SIL 3, plug-in Push-in terminal block, TBUS connector not included

---